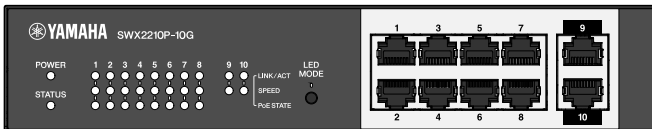


L2 Switch SWX2210P-10G

Getting Started Guide



Contents

1. Introduction	3
1.1. Product features	3
1.2. Included items	3
1.3. Separately sold items	3
1.4. Related software and documents	3
1.5. Conventions used in this guide	4
2. Controls and connectors	5
2.1. Front panel	5
2.2. Bottom panel	7
2.3. Rear panel	7
2.4. Side panel	8
2.5. Top panel	8
3. Installation	9
3.1. Placing the unit on a level surface	9
3.2. Installing in a 19-inch rack	10
3.3. Installing onto a wall	12
4. Connections	15
4.1. Connecting the power cord	15
4.2. Connecting to a network device or computer	16
4.3. Connecting PoE-powered devices	16
5. Settings	17
5.1. Making settings using the Web GUI	17
5.2. Making settings from the command line using Telnet	18
5.3. Restoring this unit's settings to their factory-set defaults	20

1. Introduction

1.1. Product features

The smart L2 switch SWX2210P-10G is an L2 PoE switch that is ideal for accommodating PoE-powered devices in small and medium-sized networks. It supports power supply via IEEE802.3at (PoE+), which allows for a maximum power supply of 30W per port, and enables easy configuration of ProAV profiles such as Dante, making it useful as a switch for accommodating ProAV equipment such as PoE-powered speakers/microphones and cameras.

1.2. Included items

Verify that the following included items are present.

- Read This First: 1 pc.
- Power cords: 2 pcs. (use an appropriate power cord for your regional power supply.)
- Power cord clamp: 1 pc. (used only for the included dedicated power cord)
- Legs (rubber feet): 4 pcs.

1.3. Separately sold items

- Rack Mount Kit RK-SWR
Required when mounting in a 19-inch rack (1U size). For details on installation, refer to “[Installing the unit in a 19-inch rack](#)” in “Installation.”
- Wall Mount Kit WK-SWR
Required for installation on a wall. For details on installation, refer to “[Installing onto a wall](#)” in “Installation.”

Details are provided on the Yamaha website.

<https://www.yamahaproaudio.com/>

1.4. Related software and documents

The following manuals are prepared according to the intended use of this product. Read the appropriate manual according to your particular application.

- Read This First (included)
Describes the precautions for using this product. Be sure to read before use.
- Getting Started Guide (this book)
Describes how to install, connect, and set this product and other options.
- Command Reference (website)
Describes the command format for setting up this product and a usage example.
- Technical Data (website)
Describes detailed information about the features of this product.
- Help for “Web Settings Screen”
Describes detailed explanations about each setting item.

The following software is prepared.

- Yamaha LAN Monitor
This is an application used to monitor this unit’s information and the entire network including all Dante devices on the Dante network, and the user guide for this application.

The software above can be downloaded from the following website.
<https://www.yamahaproaudio.com/>

1.5. Conventions used in this guide

- Copying or reproduction of this guide in whole or in part is expressly forbidden without the written consent of the manufacturer.
- The explanations in this guide are based on current product specifications as of the date of publication. The latest version of this document can be downloaded from the Yamaha website.
- All illustrations and screens included in this guide are for the purpose of explanation.
- Company names and product names in this guide are abbreviated as follows.
 - Yamaha L2 Switch SWX2210P-10G: This product
 - 10BASE-T/100BASE-TX/1000BASE-T cable: LAN cable
- Other company names and product names in this document are the registered trademarks or trademarks of their respective corporate owners.
 - Microsoft and Windows are registered trademarks of Microsoft Corporation USA in the USA and other countries.
- The symbols listed in this guide and their contents are as follows.



Warning: Refers to a situation that poses the risk of death or serious injury to the user.



Caution: Refers to a situation that poses the risk of injury to the user.



Caution: Refers to information that the user must comply with to avoid product malfunction, damage, faulty operations or loss of data.



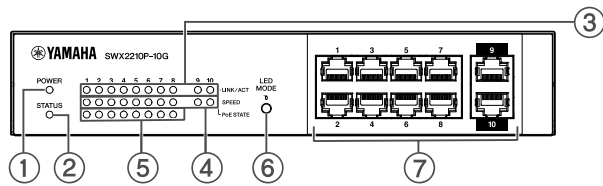
Important: Refers to information that the user must know to properly operate and use this product.



Note: Refers to information regarding the operation and use of this product. Read this for your reference.

2. Controls and connectors

2.1. Front panel



① POWER indicator

Lights when power is provided to the unit.

POWER indicator	Status
Unlit	Power OFF
Lit (green)	Power ON

② STATUS indicator

Indicates the status of this product.

STATUS indicator	Product status
Unlit	Normal
Lit (orange)	One of the following conditions: <ul style="list-style-type: none"> The total PoE power supply exceeds the maximum power supply of this product. Power supply is restricted by the PoE guardband function. Overcurrent detected on the PoE port. A loop has been detected and the port is in blocking state.
Flashing (orange)	Anomalies have been detected in the fan, internal temperature, or PoE power supply.



Caution: If the STATUS indicator is flashing orange, check the abnormality status and take appropriate action.

- Fan stopped**
 Stop using this product immediately and contact the dealer where you purchased this product to have the unit inspected and/or repaired.
- PoE power supply failure**
 Stop using this product immediately and contact the dealer where you purchased this product to have the unit inspected and/or repaired.
- Internal temperature abnormal**
 Review the environment in which this product is installed, and correctly install this product so that the internal temperature is at an appropriate level.

You can check for temperature and fan abnormalities using the `show environment` command.

For more information about commands, refer to the command reference.

For the command reference, refer to the information page for this product on the Yamaha website.

③ LINK/ACT indicators

Indicate LAN port status.

LINK/ACT indicators	LAN port status
Unlit	The link is lost (not available) or the indicators have been turned off with the LED MODE button.
Lit (green)	Link is established (available).
Flashing (green)	Data is flowing.
Flashing (orange)	A loop is detected.

④ SPEED indicators

Indicate the connection speed of the LAN port.

SPEED indicators	Connection status
Unlit	One of the following conditions: <ul style="list-style-type: none"> • Not connected. • Connected by 10BASE-TX. • The indicators have been turned off with the LED MODE button.
Lit (orange)	Connected by 100BASE-TX.
Lit (green)	Connected by 1000BASE-TX.

⑤ PoE STATE indicators

Indicate the power supply status.

PoE STATE indicators	Power supply status
Unlit	No power is being supplied. Or the indicators have been turned off with the LED MODE button.
Lit (orange)	Power supply has been stopped due to limitations on total power supply. Or, the total power supply falls within the guard band range, suppressing power supply.
Flashing (orange)	Power supply has been stopped due to overcurrent detection.
Lit (green)	Power is being supplied.

⑥ LED MODE button

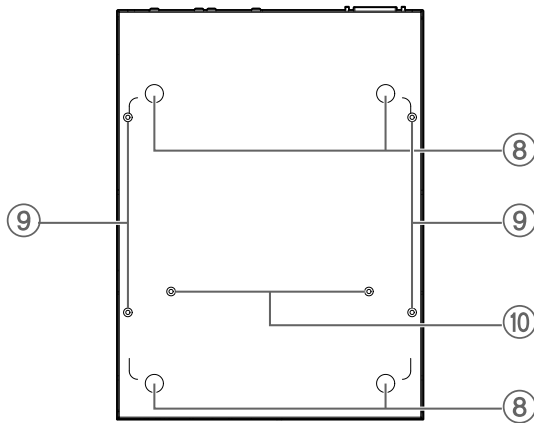
This button switches the LINK/ACT, SPEED, and PoE STATE indicators ON or OFF. If the indicators are on, press and hold the LED MODE button (for more than one second) to turn the indicators off. If the indicators are off, press and hold the LED MODE button to turn them on.

This is also used to restore the factory default settings. For details, refer to "[Restoring the factory settings with the LED MODE button](#)" in "Settings".

⑦ LAN ports

These are 10BASE-T, 100BASE-TX, and 1000BASE-T Ethernet ports. Ports 1 to 8 support IEEE 802.3at PoE power supply functionality. Ports 9 and 10 are uplink ports without power supply functionality.

2.2. Bottom panel



⑧ Rubber foot attachment guides

These are the locations where the rubber feet are to be attached when placing the unit on a level surface. For details on installation, refer to "[Placing the unit on a level surface](#)" in "Installation."

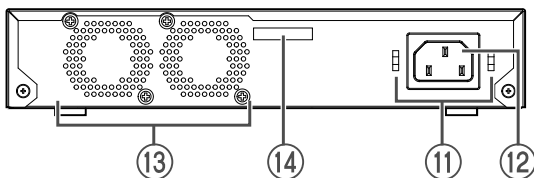
⑨ Wall mount accessory attachment holes

These are screw holes for attaching optional wall mount accessory WK-SWR when installing onto a wall. For details on installation, refer to "[Installing onto a wall](#)" in "Installation".

⑩ Rack mount accessory mounting holes

Use these holes to attach an optional rack mount accessory RK-SWR. For details on installation, refer to "[Installing in a 19-inch rack](#)" in "Installation."

2.3. Rear panel



⑪ Power cord clamp attachment holes

The included power cord clamp (C-shaped) can be attached here. For details on installation, refer to "[Connecting the power cord](#)" in "Connections."

⑫ Power supply inlet (three-pin connector, C14 type)

Insert the included power supply cord here. Use an appropriate power cord for your regional power supply.

⑬ Fan

The fan is used to force out heat generated inside the unit. If an error is detected, the STATUS indicator on the front panel flashes orange.

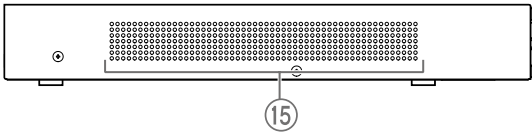


Warning: Do not block or place objects near the fan outlet. Doing so could cause fire or malfunctions.

⑭ Serial number

The product label has the same indication.

2.4. Side panel



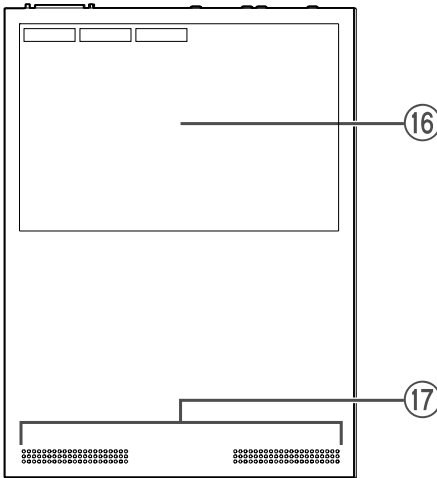
15 Cooling vents

The holes in this product are cooling vents by the fan for intake of external air.



Warning: Do not block the cooling vents or place objects near them. Doing so could cause fire or malfunctions.

2.5. Top panel



16 Product label

This lists the model name, serial number, and MAC address etc. of this unit.

17 Cooling vents

The holes in this product are cooling vents for intake of external air.

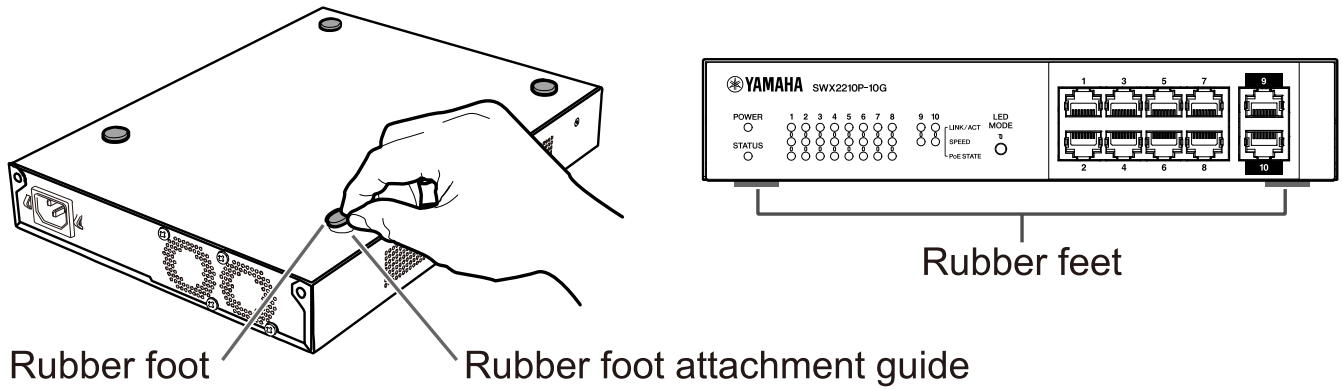


Warning: Do not block the cooling vents or place objects near them. Doing so could cause fire or malfunctions.

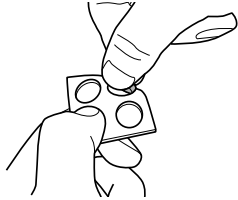
3. Installation

3.1. Placing the unit on a level surface

As shown in the illustration, attach the included rubber feet in the positions of the rubber foot attachment guides, and place the unit on a level location such as a desk.



Note: Four rubber feet are included in one sheet (illustration below).



3.2. Installing in a 19-inch rack

For installation, use the optional rack mount kit RK-SWR.

[Installation method]

This section explains how to attach the unit in the middle block of a rack mount panel. Even if you plan to attach the unit in the left or right block, follow the procedure below.



Warning: When attaching or removing this unit, you must disconnect the unit's power plug from the power outlet. Failing to do so could cause electrical shock or malfunctions.



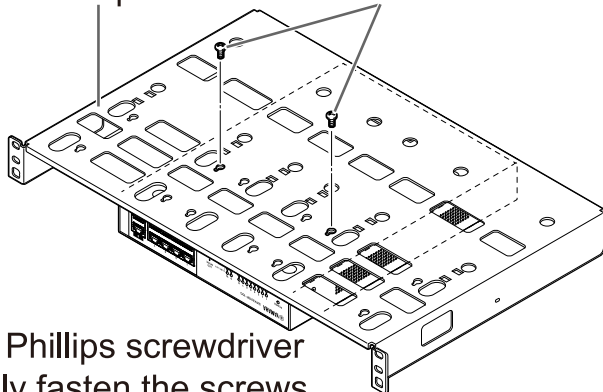
Important: If there are rubber feet attached to the bottom of this product, remove them before installing the mount panel.

1. Attaching the unit to the rack mount panel

Using the two screws supplied with the rack-mount accessory, attach the rack mount panel to the bottom panel of the unit.

Rack mount panel

Screws

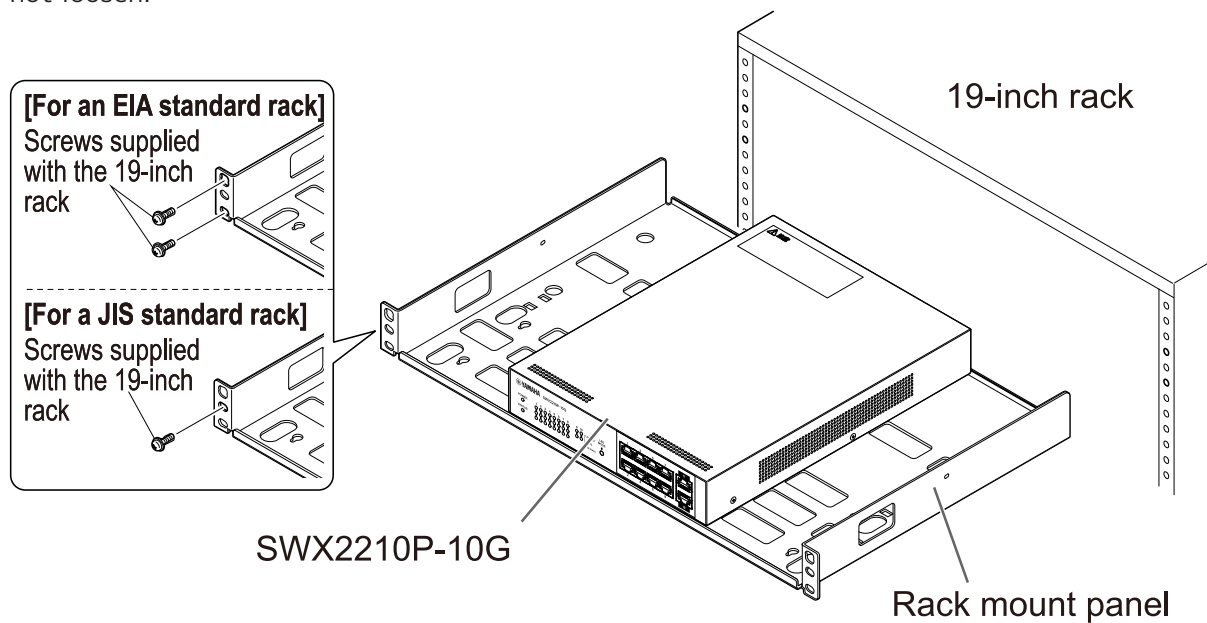


Use a Phillips screwdriver to firmly fasten the screws.

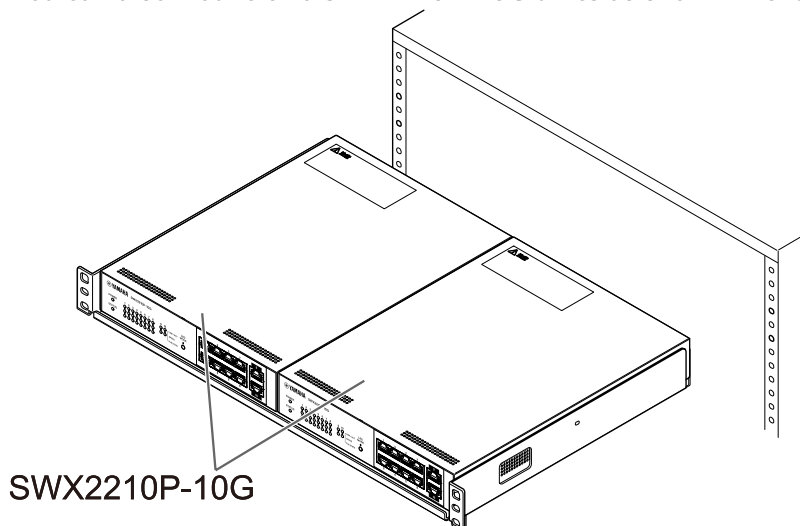


Warning: When mounting this product to the optional rack mount kit RK-SWR, be sure to use the specified screws included with the mount kit. If the unit falls, you may be injured or the unit may become damaged. This could also cause electric shock or malfunctions.

2. Attach the rack mount panel to the 19-inch rack.
Use the mounting screws (four EIA standard screws, two JIS standard screws) provided with the 19-inch rack to mount this product to the 19-inch rack. Firmly tighten the screws so that they will not loosen.



You can also mount two SWX2210P-10G units as shown in the illustration below.



Warning: Do not block the cooling vents on the top or the sides of this unit, or the fan outlet on the back. Doing so could cause fire or malfunctions.

3.3. Installing onto a wall

Installation is done using the optional wall mount kit WK-SWR. For details on installation and precautions, refer to the "WK-SWR Instruction Manual" included with the wall mount kit.

[Items to prepare]

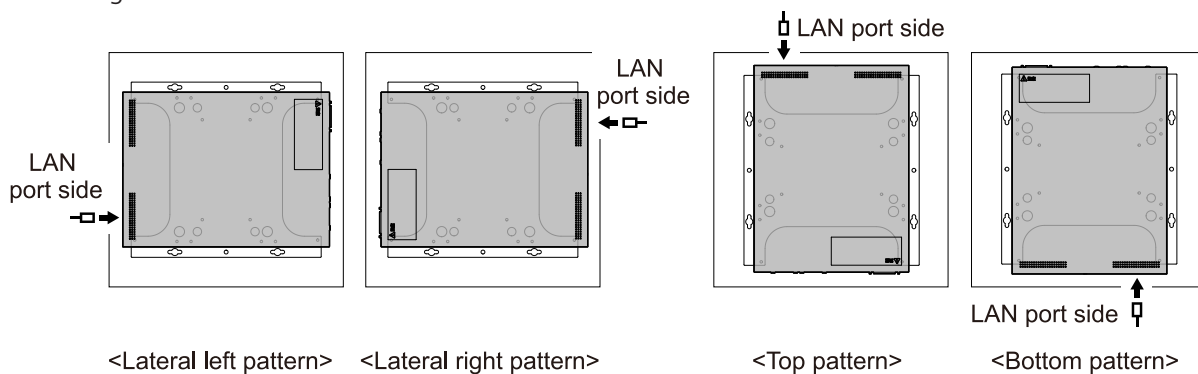
- Wall mounting screws (6 pieces)

This product and the wall mount kit do not include screws for mounting on a wall. You will need to purchase commercially available screws.

The type and length of screws differ depending on the material of the wall where the unit is to be installed. Be sure to check the material and thickness of the wall where the unit is to be installed, and use screws appropriate for the material of the wall.

[Mounting patterns]

The unit can be installed with its front, back or side facing up (refer to the illustration below), but not at an angle.



Warning: When attaching or removing this unit, you must disconnect the unit's power plug from the power outlet. Failing to do so could cause electrical shock or malfunctions.

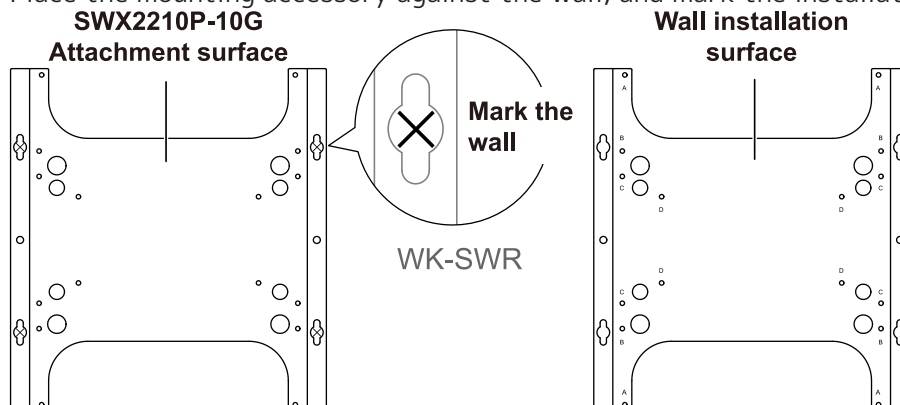


Caution: Do not install this product in a high place or onto a ceiling. When installing this product, be sure to install it at a height of 200 cm or less. If the unit falls, you may be injured or the unit may become damaged.



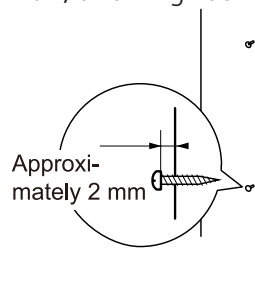
Note: The mounting accessory has one surface that must be attached to the unit and one surface that must be attached to the wall. The mounting accessory cannot be attached to this product using the wrong mounting surface. For details on distinguishing the surfaces, refer to the illustrations for step 1 and step 3.

1. Place the mounting accessory against the wall, and mark the installation location.



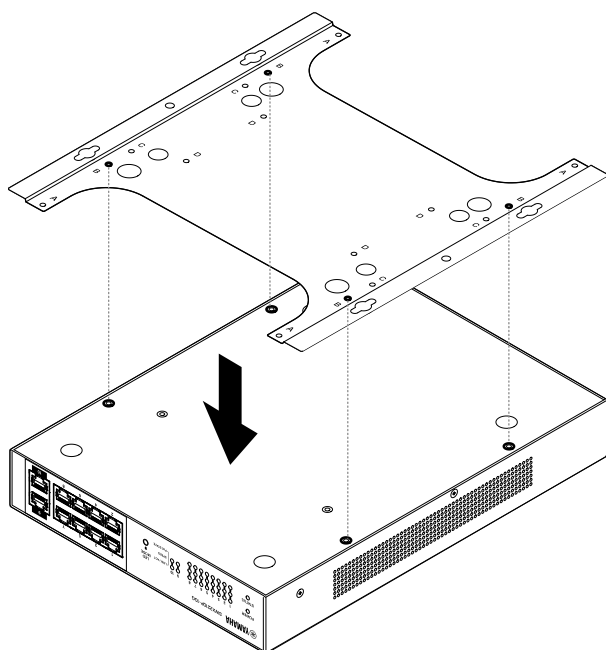
2. Temporarily fasten the four commercially available screws at the mounting locations marked in step 1.

At this time, leave approximately 2 mm between the head of each screw and the surface of the wall, allowing room for the mounting accessory to engage the screws (illustration below).



Caution: You must use screws that are appropriate for the material of the wall. If the unit falls, you may be injured or the unit may become damaged.

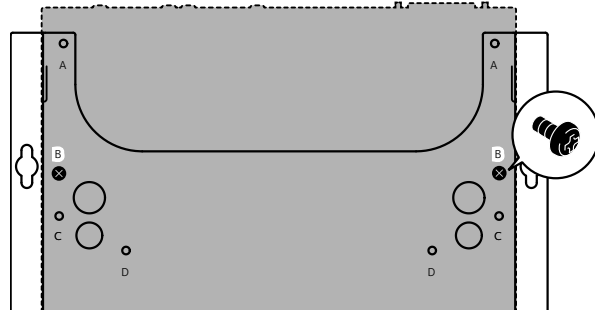
3. Align the unit with the mounting accessory (illustration below).



Important: If there are rubber feet attached to the bottom of this product, remove them before attaching the mounting accessory.

- Using the four included screws, attach the mounting accessory to the unit.
Use a Phillips screwdriver to firmly fasten the screws.

- Screw hole to be used: B
- Screws to be used: For metal housing (black small M3 × 4)



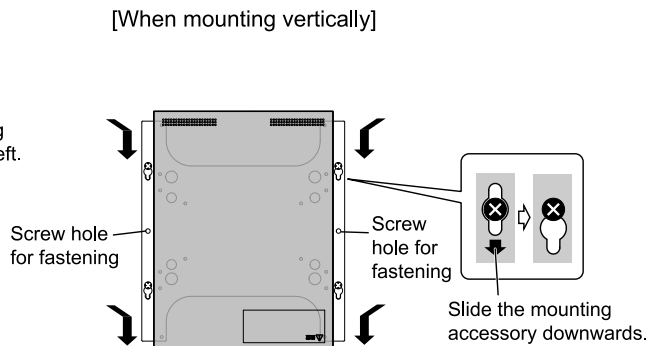
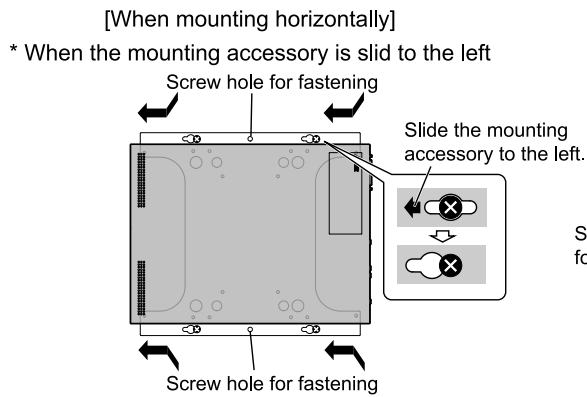
Warning : Always use the specified screws provided with the wall mount kit. If the unit falls, you may be injured or the unit may become damaged. This could also cause electric shock or malfunctions.



Caution: Use caution when touching the corners of the mounting accessory with your hands or fingers, as the corners are sharp and may cause injury.

- Engage the assembled mounting accessory with the commercially available screws attached to the wall, and slide the mounting accessory to the side.
Slide the mounting accessory to match the installation direction (refer to the illustration below).

- When installing horizontally: Slide left or right
- When installing vertically: Slide down



Caution: Do not let the unit fall. If the unit falls, you may be injured or the unit may become damaged.

- Further tighten the commercially available screws that you provisionally attached, fastening the mounting accessory.
- Install commercially available screws in the fastening screw holes (two locations) of the mounting accessory.



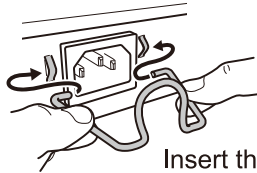
Caution: You must use screws that are appropriate for the material of the wall. If the unit falls, you may be injured or the unit may become damaged.

4. Connections

4.1. Connecting the power cord

1. Attach the included power cord clamp.

To prevent accidental disconnection of the power cord, insert the included power cord clamp ("included clamp" in the illustration below) into the power cord clamp holes of the unit ("holes in the unit" in the illustration below) to secure the power cord.

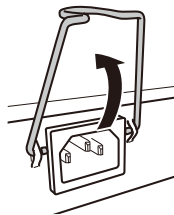


Insert the included clamp into the holes of the unit.

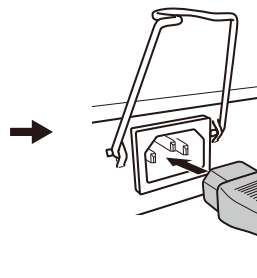


Caution: The included power cord clamp is only for the included power supply cord. If you use the clamp for other than the included power cord, the cord might be damaged or might not be properly secured.

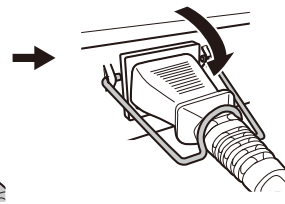
2. Connect the included power cord to the power supply inlet, and secure it with the clamp.



① Raise the clamp.



② Connect the power cord.



③ Press down on the clamp to secure the power cord.

3. Connect the power plug to an electrical outlet.
The POWER indicator will light up green.

Caution: If the STATUS indicator is flashing orange, one of the following problems has occurred: Check the error situation and deal with it appropriately.



- Fan stopped
Stop using this product immediately and contact the dealer where you purchased this product to have the unit inspected and/or repaired.
- PoE power supply failure
Stop using this product immediately and contact the dealer where you purchased this product to have the unit inspected and/or repaired.
- Internal temperature abnormal
Review the environment in which this product is installed, and correctly install this product so that the internal temperature is at an appropriate level.



Note: This unit does not have a power switch. The power turns on when you insert the plug of the power cord connected to this unit into a power outlet.

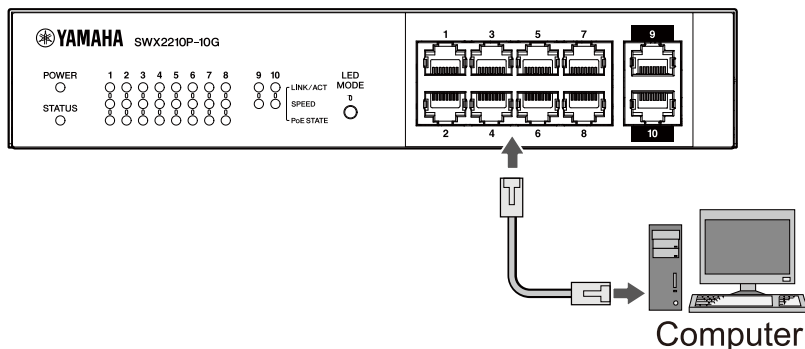
4. Check the port indicators.

Check the LINK/ACT indicators. The LINK/ACT indicator corresponding to the LAN port to which the network device or computer is connected should be lit green or flashing green.

For details about the indicator status, refer to "[LINK/ACT indicators](#)."

4.2. Connecting to a network device or computer

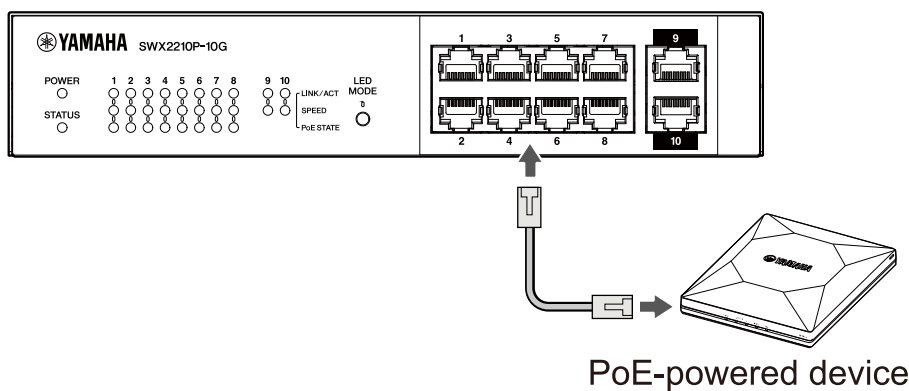
Using LAN cables, connect the LAN port of the network device or computer to the LAN ports of this unit.



Note: The LINK/ACT indicators indicate the connection status with network devices and computers. For details on the connection status, refer to "[LINK/ACT indicators](#)."

4.3. Connecting PoE-powered devices

Connect the LAN port of the PoE-powered device to the LAN port of this product with a LAN cable.



Warning: When connecting a receiving device that complies with the IEEE802.3at standard, use a CAT5e or higher cable.

If you do not use a cable that complies with the standard, it may cause a fire or malfunction.



Note: The PoE STATE indicator allows you to check the power supply status to the PoE-powered device. For details on the power supply status, refer to "[PoE STATE indicator](#)."

5. Settings

The settings for this product can be made in the following ways.

- [Making settings using the Web GUI](#)
- [Making settings from the command line using Telnet](#)
- [Restoring this unit's settings to their factory-set defaults](#)

You can log in to this unit either as a standard user or as an administrative user. This section explains how to log in as an administrative user.

For more information, refer to the "Technical Data" and "Command reference" on the information page for this product on the Yamaha website.

5.1. Making settings using the Web GUI

This explains how to log in to this unit using the Web GUI.

5.1.1. Logging in to this unit using a web browser

1. Connect this product to the computer with a LAN cable.
2. Check the power supply of this unit.
If this unit is not powered on, turn on the power as described in "[Connecting the power cord](#)".
Once the power is on, go to step 3.
3. Launch the Web browser and access "[http://\(IP address of this product\)/](#)."
When access is successful, the login screen appears where you can enter a user name and password.

Note



- The IP address of this product is set to "192.168.100.240/24" by default when shipped from the factory.
- If this unit is not connected to a network, change the IP address of the computer to use for settings to the "192.168.100.0/24" segment. Refer to the help documentation of your computer for how to change the computer's IP address.

4. Enter the user name and password, and click the "Login" button.
If the settings are the factory-set defaults, enter the username "admin" and password "admin" for the initial administrative user.
After successful login from the factory default state, the language selection screen appears.



Note: If you enter an incorrect username or password three times in a row, you will be unable to log in to the machine for one minute. In this case, wait at least one minute and then repeat step 4.

5. Select the language to use.
If you log in with the factory default settings, the password change screen appears.



Note: You can change the language after login from the Web GUI.

6. Enter your new password in both fields and click the "Save" button.
If the password change is successful, the Web GUI home page appears.

5.2. Making settings from the command line using Telnet

This explains how to log in to this unit using a Telnet client from a host on your LAN.

5.2.1. Logging in to this unit using a Telnet client

Use a Telnet client such as a computer to log into this unit and connect to the built-in Telnet server. Here we explain how to use the Telnet client in Windows to connect to the built-in Telnet server on this product.



Note: Telnet functionality is disabled on Windows by default. To use Telnet, you will need to enable the Telnet client.

1. Connect this product to the computer with a LAN cable.
2. Check the power supply of this unit.
If this unit is not powered on, turn on the power as described in "[Connecting the power cord](#)".
Once the power is on, go to step 3.
3. Launch the Windows command prompt.
4. Enter the IP address of this product in the `telnet` command, and press the [Enter] key.
When the settings of this unit are still the factory defaults, enter "192.168.100.240" after the `telnet` command.

```
telnet 192.168.100.240
```

The system waits for a user name to be entered.

5. Enter your user name, and press the [Enter] key.
If the device is in the factory default state, enter the username of the initial administrative user, "admin".

```
Username: admin
```

The system waits for a password to be entered.

6. Enter the password for the user entered in step 5, and press the [Enter] key.
If it is in the factory default state, enter the initial administrative user password "admin".

```
Password:
```

Note



- The password you enter will not be displayed on the console screen. (The same applies to the following steps.)
- If you enter the wrong password three times in a row, you will be unable to log in to the product for one minute. In this case, wait at least one minute and then start over from step 5.

Before changing the initial password of the initial administrative user

If password authentication is successful, you will be prompted to enter a new password. Proceed to step 7 to change your password.

```
SWX2210P-10G Rev.1.03.13 (Wed Sep  4 08:33:10 2024)
  Copyright (c) 2018-2024 Yamaha Corporation. All Rights Reserved.

Please change the default password for admin.
New Password:
```

After changing the initial password for the initial administrative user

If password authentication is successful, the command prompt appears and you can enter commands. This completes the login procedure (no further steps are required).

```
SWX2210P>
```

7. Enter the administrator password, and press the [Enter] key.

```
New Password:
```

The system waits for your new password to be re-entered.

8. Enter the same password as in step 7 again and press the [Enter] key.

```
New Password(Confirm):
```

If the password change is successful, the command prompt appears and you can enter commands.

```
Saving ...
Succeeded to write configuration

SWX2210P>
```

For more information about commands, refer to "Command reference" on the information page for this product on the Yamaha website.

5.3. Restoring this unit's settings to their factory-set defaults

This explains how to restore this unit's settings to their factory-set defaults.

- [Restoring this unit's settings to their factory-set defaults from the Web GUI](#)
- [Using the "cold start" command to restore the factory settings](#)
- [Restoring the factory settings with the LED MODE button](#)

Caution: When restoring the factory settings, note the following points.



- All communication is halted immediately after execution.
- The IP address of this unit will be initialized to the factory default setting (192.168.100.240).
- You will not be able to restore the current settings once you have restored the factory settings. If necessary, back up the settings to a computer or the like before you proceed with restoring the factory settings. For how to read the config file, refer to "Command reference" on the information page for this product on the Yamaha website.



Note: Refer to [Settings](#) for how to log in after restoring the factory settings.

5.3.1. Restoring this unit's settings to their factory-set defaults from the Web GUI

This unit can be restored to its factory-set state by making settings from the Web GUI.



Important: This procedure cannot be performed if the administrative password is set to the default setting. Please change the administrative password beforehand.

This explanation assumes that you have logged in using the steps in "[Logging in to this unit using a Web browser](#)".

1. Select the "Administration" tab – "Maintenance" – "Restart or Initialize," in that order. The "Restart or Initialize" screen appears.
2. In the "Initialize" section, click the "Proceed" button. The "Initialize" screen appears.
3. Enter the administrative password, and click the "Confirm" button. The "Confirm execution" screen appears.
4. Verify the contents, and click the "Execute" button. The unit is returned to its factory-set state. Also, the "Initialization" dialog box appears, and the unit reboots.
5. After this unit finishes rebooting, access the Web GUI again.

Note



- During reboot, the computer on which the Web GUI is open will be unable to communicate with the unit (the status indication of the computer's network adapter will be "Network cable is not connected"). Communication will be restored when the reboot is completed. After the product's lights stop flashing, make sure that your computer's communication status has been restored and then click "192.168.100.240/24".

- The IP address of this unit will be restored to 192.168.100.240. Once Web GUI is redisplayed, access “192.168.100.240”.

5.3.2. Using the “cold start” command to restore the factory settings

You can use Telnet to restore the factory default settings from the command line.



Caution: If you are logged in via Telnet, you will be disconnected.



Important: This procedure cannot be performed if the administrative password is set to the default setting. Please change the admin password beforehand using the `enable password` command.



Note: This explanation assumes that you have logged in using the steps in [“Making settings from the command line using Telnet”](#).

1. Enter `enable`, and press the [Enter] key.
The unit switches to privileged EXEC mode.

```
SWX2210P>enable
SWX2210P#
```

2. Enter the `cold start` command, and press the [Enter] key.
You will be asked to enter the administrative password.

```
SWX2210P#cold start
Password:
```

3. Enter the administrative password, and press the [Enter] key.
The settings saved in this unit are returned to their factory-set state, SYSLOG is deleted and then the unit reboots.

5.3.3. Restoring the factory settings with the LED MODE button

When the power is off, press and hold the LED MODE button on the front panel and then turn the power on to restore the settings to the factory defaults.



Note: This unit does not have a power switch. The power turns on when you insert the plug of the power cord connected to this unit into a power outlet.

1. With your finger pressed down on the LED MODE button on the front panel, turn the power on.
The unit will reboot.
2. Press and hold the LED MODE button on the front panel with your finger for approximately 10 seconds.
The settings saved in this unit will be returned to their factory-set state and SYSLOG will be deleted.
3. When all the indicators except for the POWER indicator and STATUS indicator are lit orange, release the LED MODE button.

© 2019 Yamaha Corporation
Published 02/2025
HS-B0