

Thank you for selecting the Yamaha Karaoke Speaker System.

- The illustrations as shown in this manual are for instructional purposes only.
- The company names and product names in this manual are the trademarks or registered trademarks of their respective companies.

**Included Accessories**

- Technical Specifications (English only)
- Owner's Manual (this leaflet)

**Precautions**

**PLEASE READ CAREFULLY BEFORE PROCEEDING**  
Please keep this manual in a safe place for future reference.

**Warning**

Always follow the basic precautions listed below to avoid the possibility of serious injury or even death from electrical shock, short-circuiting, damages, fire or other hazards. These precautions include, but are not limited to, the following:

**Do not open**

- This device contains no user-serviceable parts. If you are not a qualified service technician, do not open the device or attempt to disassemble the internal parts or modify them in any way. If it should appear to be malfunctioning, discontinue use immediately. Inspection must be performed only by qualified Yamaha service personnel.

**Fire warning**

- Do not put burning items, such as candles, on the device. A burning item may fall over and cause a fire.

**Caution**

Always follow the basic precautions listed below to avoid the possibility of physical injury to you or others, or damage to the device or other property. These precautions include, but are not limited to, the following:

**Location**

- Do not place the device in an unstable position where it might accidentally fall over.
- Do not block the vents. This device has a port at the bottom to prevent the internal temperature from becoming too high. In particular, do not place the device on its side or upside down. Inadequate ventilation can result in overheating, possibly causing damage to the device(s), or even fire.
- When installing the device:
  - Do not cover it with any cloth.
  - Do not install it on a carpet or rug.
  - Make sure the top surface faces up; do not install on its sides or upside down.
  - Do not use the device in a confined, poorly-ventilated location. Inadequate ventilation can result in overheating, possibly causing damage to the device(s), or even fire.
- Do not press the rear panel of the device against the wall. Doing so may cause the plug to come in contact with the wall and detach from the speaker cable, resulting in short circuiting, malfunction, or even fire.
- Do not place the device in a location where it may come into contact with corrosive gases or salt air. Doing so may result in malfunction.
- Avoid being near the device during a disaster, such as an

earthquake. Since the device may fall and cause injury, stay away from the device quickly and move to a safe place.

- Before moving the device, remove all connected cables.
- When transporting or moving the device, always use two or more people. Attempting to lift the device by yourself may damage your back, result in other injury, or cause damage to the device itself.
- If you are not a qualified service technician, do not attempt to install the device. Always consult qualified Yamaha service personnel if the device installation requires construction work, and make sure to observe the following precautions.
  - Choose mounting hardware and an installation location that can support the weight of the device.
  - Avoid locations that are exposed to constant vibration.
  - Use the required tools to install the device.
  - Inspect the device periodically.

**Connections**

- Before connecting the device to other devices, turn off the power for all devices. Before turning the power on or off for all devices, set all volume levels to minimum.
- Use only speaker cables for connecting speakers to the speaker jacks. Use of other types of cables may result in fire.

**Handling caution**

- Do not insert your fingers or hands in any gaps or openings on the device (ports).
- Avoid inserting or dropping foreign objects (paper, plastic, metal, etc.) into any gaps or openings on the device (ports). If this happens, turn off the power of external devices immediately and unplug the power cord from the AC outlet. Then have the device inspected by qualified Yamaha service personnel.
- Do not rest your weight on the device or place heavy objects on it, and avoid use excessive force on the buttons, switches or connectors.
- Do not use the speakers for a long period of time at a high or uncomfortable volume level, since this can cause permanent hearing loss. If you experience any hearing loss or ringing in the ears, consult a physician.
- Do not operate the device if the sound is distorting. Prolonged use in this condition could cause overheating and result in fire.
- When choosing a power amplifier for use with this device, make sure that the output power of the amplifier is lower than the power capacity of this device. If the output power is higher than the power capacity, malfunction or fire may occur.
- Do not input excessively loud signals that may result in clipping in the amplifier or cause the following:
  - Feedback, when using a microphone

- Continuous and extremely loud sound from a musical instrument, etc.
  - Continuous and extremely loud distorted sound
  - Noise caused by plugging/unplugging the cable while the amplifier is turned on
- Even if the output power of the amplifier is lower than the power capacity of this device (program), damage to the device, malfunction or fire may occur.

Yamaha cannot be held responsible for damage caused by improper use or modifications to the device.

**Notice**

To avoid the possibility of malfunction/ damage to the product, damage to data, or damage to other property, follow the notices below.

**Handling and maintenance**

- Do not expose the device to excessive dust or vibration, or extreme cold or heat (such as in direct sunlight, near a heater, or in a car during the day), in order to prevent the possibility of panel discoloration, unstable operation, or damage to the internal components.
- Do not place vinyl, plastic or rubber objects on the device, since this might discolor the panel.
- When cleaning the device, use a dry and soft cloth. Do not use paint thinners, solvents, cleaning fluids, or chemical-impregnated wiping cloths.
- During extreme changes in temperature or humidity, condensation may occur and water may collect on the surface of the device. If water is left, the wooden parts may absorb the water and be damaged. Make sure to wipe any water off immediately with a soft cloth.
- Be sure to observe the amplifier's rated load impedance, particularly when connecting speakers in parallel. Connecting an impedance load outside the amplifier's rated range can damage the amplifier.
- Protective Circuit (poly switch)  
All full-range loudspeakers are fitted with a self-resetting poly switch that protects the high-frequency driver from damage caused by excessive power. If a loudspeaker cabinet loses high-frequency output, immediately remove power from the unit and wait for two to three minutes. This should be long enough to allow the poly switch to reset. Reapply power and check the performance of the high-frequency driver before continuing, with the power reduced to a level that does not cause the poly switch to interrupt the signal.
- Air blowing out of the bass reflex ports is normal, and often occurs when the speaker is handling program material with heavy bass content.

**Specifications**

		KMS-3100	KMS-2600
Type		3-way 4-speaker bass reflex / Non magnetic shielding	
Components	HF	2.5 cm (1") horn type x1	
	MF1	10 cm (4") cone type x1	12 cm (5") cone type x1
	MF2	12 cm (5") cone type x1	
	LF	30 cm (12") cone type x1	25 cm (10") cone type x1
Nominal impedance	8 Ω		
Frequency range (-10dB)	45 Hz to 30 kHz	47 Hz to 30 kHz	
Crossover frequency	2 kHz, 3 kHz		
Power rating*1 (IEC 100h)	NOISE	275 W	175 W
	PGM	550 W	350 W
	MAX	1100 W	700 W
Sensitivity (1W, 1m)	90 dB SPL	89 dB SPL	
Connector	Screw / Banana		

	KMS-3100	KMS-2600
Dimensions (W x H x D)	640 x 380 x 383 mm (25 1/4" x 15" x 15 1/8")	576 x 342 x 353 mm (22 11/16" x 13 1/2" x 13 7/8")
Weight	18.6 kg (41 lbs)	14.7 kg (32.4 lbs)
Finish	Black PVC	

\*1: IEC shaped Pink noise with 6 dB crest factor

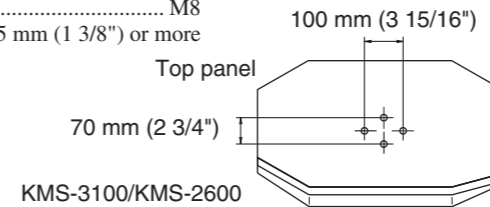
- The contents of this manual apply to the latest specifications as of the printing date. Since Yamaha makes continuous improvements to the product, this manual may not apply to the specifications of your particular product. To obtain the latest manual, access the Yamaha website then download the manual file. Since specifications, equipment or separately sold accessories may not be the same in every locale, please check with your Yamaha dealer.
- Care should be taken not to exceed the input power values noted above.
- The woofer employs a material for the surround to achieve high sound quality. The useful life of the speaker surround depends on usage conditions and environment (especially ultraviolet radiation exposure and humidity), etc. When the speaker surround reaches the end of its useful life, refer to your dealer for replacement.

**Mouting the Speaker to a Ceiling**

The information below is intended for an installation contractor. Be sure to request that a qualified technician install the device.

You can also use the screw holes on the top of the speaker for installing the speaker on the ceiling by using commercially available mounting brackets. To fix the speaker to a mounting bracket, use the screws inserted to the screw holes of the speaker as the factory default status. If you use the commercially available screws, use the screws that matches to the following specifications:

- Screw type..... M8
- Screw length..... 35 mm (1 3/8") or more



**Caution**

- The required length of a screw differs depending on the mounting bracket to be used. Select a screw which is suitable for use with the mounting bracket and can be fully inserted into the hole on the speaker.
- As this product is heavy, do not attach them to thin plywoods or soft wall surface materials, as the screws may tear free from flimsy surfaces, causing the speaker to fall and be damaged, or result in personal injury.
- Do not fasten the speaker to the ceiling with nails, adhesives, or other unsound hardware. Long-term use and vibrations may cause them to pull free.
- To avoid accidents resulting from tripping over loose speaker cables, fix these to the wall along with the speaker.

**Removing/attaching the Speaker Grille**

The information below is for maintenance purposes if the device is used for business.

If you are not a maintenance staff or an authorized service person, do not remove the grille in any way.

**Caution**

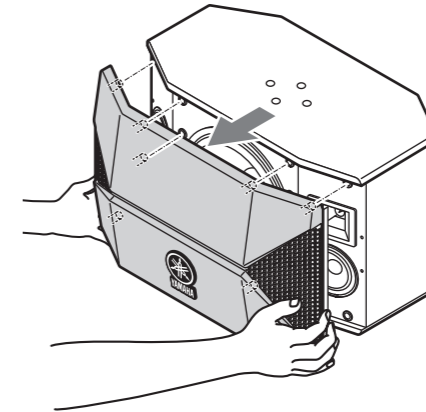
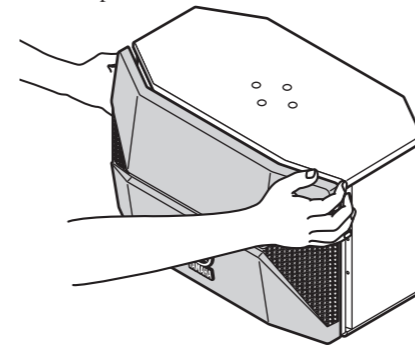
- Be careful not to scratch yourself with the edge of the speaker grille.
- Be sure to work on a stable place.

**Notice**

Do not press on the metal grille. Otherwise, the grille might be deformed.

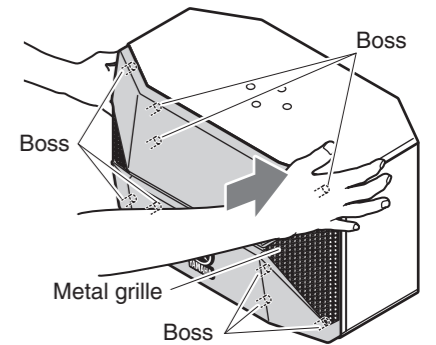
**Removing the speaker grille**

- Gently pull the grille to gradually detach it from the speaker.
- Pull the grille toward you.



**Attaching the speaker grille**

Attach the grille to the speaker unit while gently pressing over the bosses with your hands.



**Connecting to Your Amplifier**

**Caution**

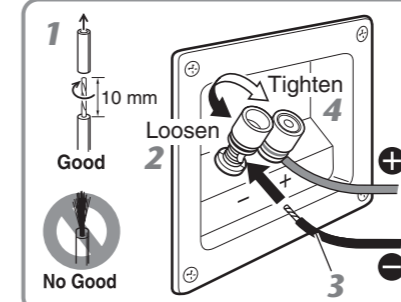
Before making connections, make sure that the amplifier is switched off.

**When connecting the speaker cables**

**Notice**

- Do not let the bare speaker wires touch each other as this could damage the speaker or the amplifier.
- Make sure you connect the speakers with the correct polarity—positive (+) terminals to positive (+) terminals, and negative (-) terminals to negative (-) terminals. If you get them crossed over, the sound will be unnatural and lack bass.
- Refer to the owner's manual that came with your amplifier.

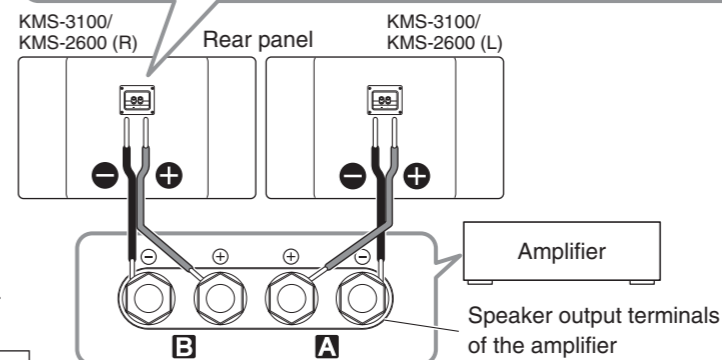
**How to connect the speaker cables**



- Remove 10 mm (3/8") of insulation, and twist the bare wires.
- Loosen the terminal knob.
- Insert the bare wire into the hole.
- Tighten the knob and secure the cable.
- Test the firmness of the connection by pulling lightly.

**Note**

Do not insert the insulation into the hole. Sound may not be produced.



**When using a banana plug**

- Tighten the terminal knob. If it is not tight enough, the plug might not be inserted correctly.
- Insert the banana plug.