



U.S.A. and Canada

<https://uc.yamaha.com/support/>



Other Countries

<https://download.yamaha.com/>

Thank you for purchasing the Yamaha CS-500.

This document guides you through the preparations required to use this product. Follow the procedure below before using this product.

Precautions

Precautions for safely using the CS-500 are provided in the included CS-500 Safety Guide. Please read them carefully before proceeding.

Check the included items

- CS-500 (device)
- Read this first (this manual)
- Safety Guide
- USB 2.0 cable (Type-C to Type-A, 5 m)
- HDMI cable (2 m)
- Lens cap
- Remote control
- Coin battery (CR2032) × 2
- AC adaptor with power cord (CW2002100)
- Cable tie

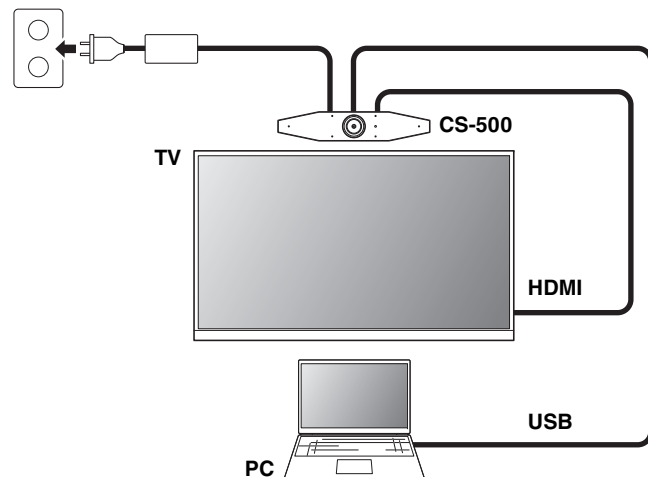
Prepare the device

Step

1 Making connections

Case 1

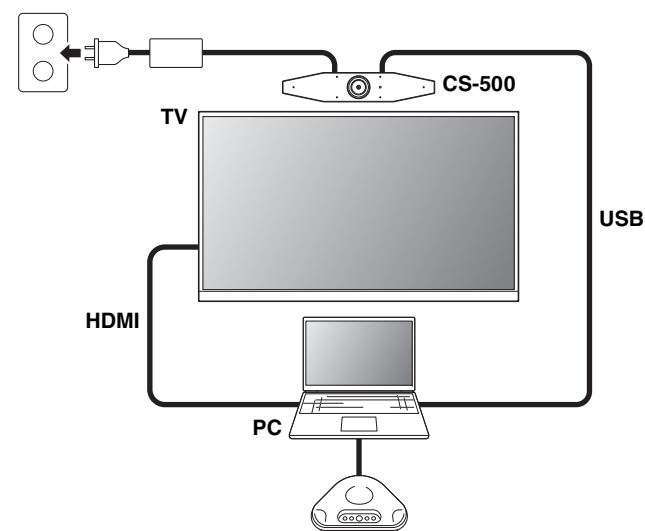
When used as a device for video conferencing



Step 1 → 2 → 3 → 4

Case 2

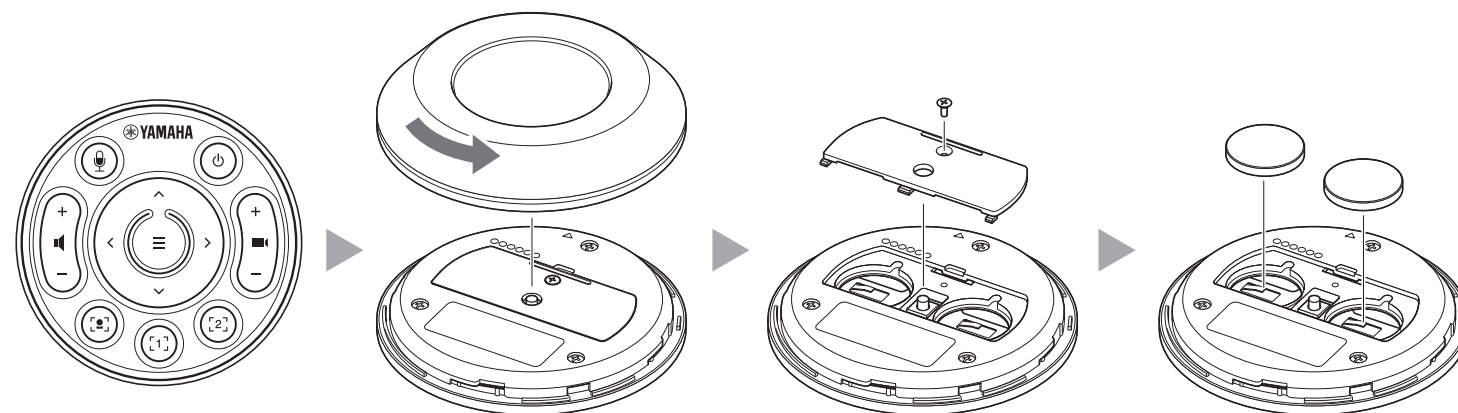
When used as a webcam



Step 1 → 2 → 3

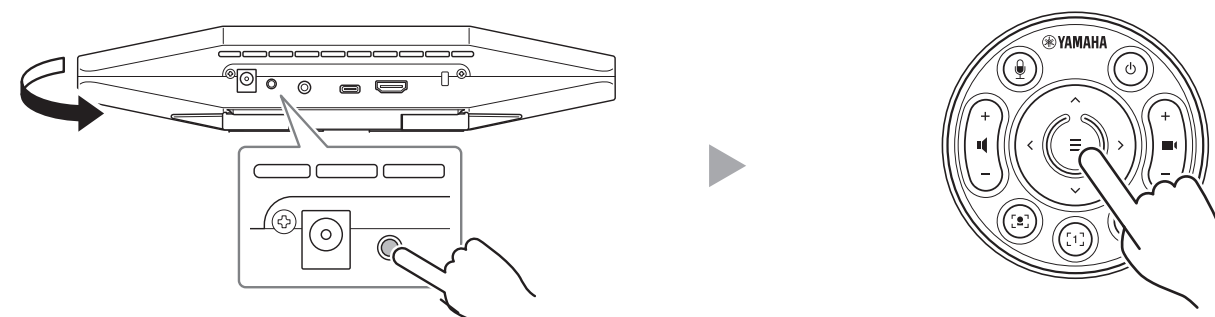
Step

2 Inserting the batteries into the remote control



Step

3 Pairing the remote control



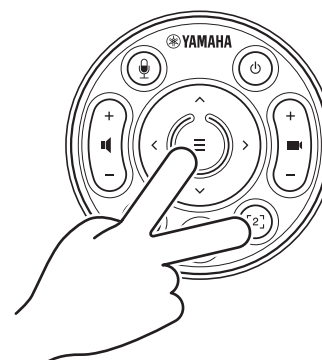
Press the [FUNCTION] button for at least 2 seconds.
The LED on the front panel of the device flashes in blue.

Press the menu button for at least 2 seconds.

Pairing is finished when the LED on the front panel of the device lights up in blue.

Step

4 When connected as in Case 1 of Step 1



Press the menu button and [2] button for at least 3 seconds.

Configuration is finished when the LED on the front panel of the device flashes in orange.

Prepare the computer

Installing the DisplayLink[®] driver onto your computer

In order to display the computer screen on a TV, it may be necessary to install the DisplayLink driver (DisplayLink Manager on a Mac). If the computer screen is not displayed on the TV, install the DisplayLink driver.

▼ **DisplayLink driver download page**

<https://displaylink.com/downloads>

(The above website is not operated by Yamaha Corporation.)

Selecting the device on the computer

1. In the sound settings of your computer, select “Yamaha CS-500” as both the default playback device and recording device.
2. In the video conferencing software, select CS-500 as both the video device and audio device.

Software

Available utility software

Utility software can be used to set up the device according to its use and environment.

Yamaha CS Manager

This is software that allows you to configure and operate the device from your computer. For the installation and operation procedures, refer to the CS-500 User Guide.

Updating the device firmware

This product is designed to allow the firmware of the device to be updated in order to improve operability, add functions and fix problems. We recommend updating the firmware to the latest version. For the updating procedure, refer to the CS-500 User Guide.

[Download Manuals and Software]

View on or download from the product website.



U.S.A. and Canada

<https://uc.yamaha.com/support/>



Other Countries

<https://download.yamaha.com/>