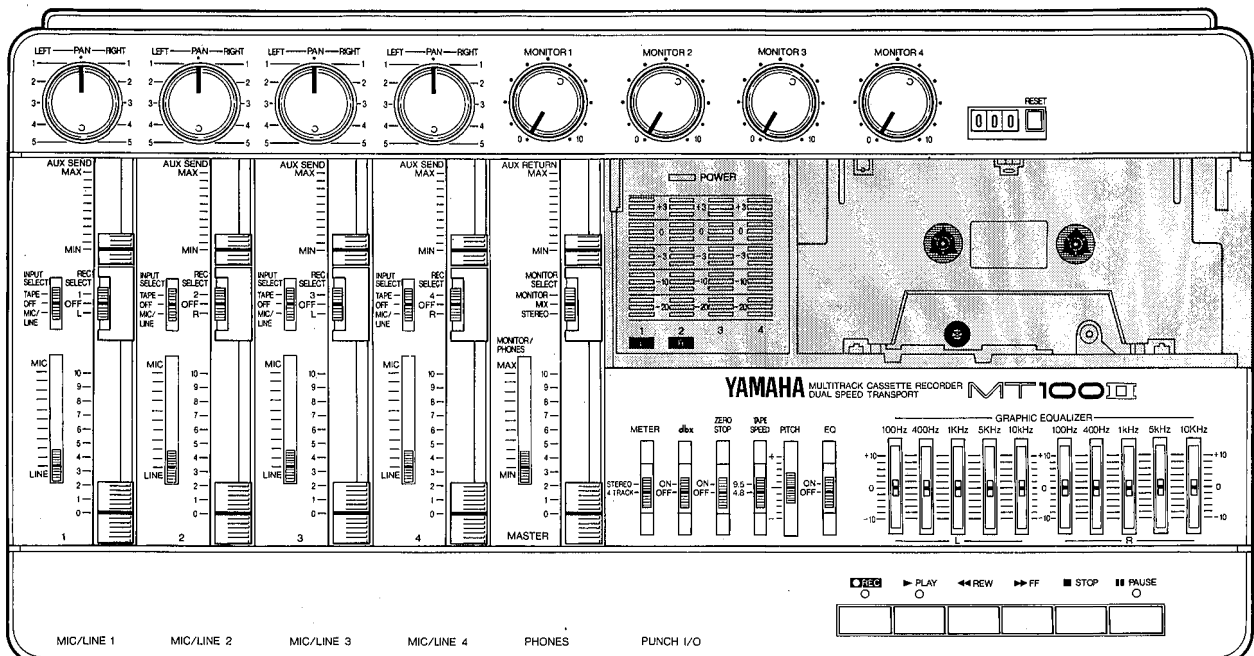


YAMAHA

MULTITRACK CASSETTE RECORDER ENREGISTREUR DE CASSETTES MULTIPISTE MEHRSPUR-KASSETTENDECK

MT100II

OPERATION MANUAL MANUEL D'INSTRUCTIONS BEDIENUNGSANLEITUNG



CONGRATULATIONS!

Your MT100II Multitrack Cassette Recorder is a powerful recording tool that will enable you to work with sound in many ways. No other multitrack cassette recorder offers the straightforward simplicity and ease-of-use of the MT100II. Whether you need to record acoustic instruments or voice using microphones, electronic instruments and line-level sources, or a creative blend of the two, the MT100II makes the process of building tracks extraordinarily smooth and simple. You can simply record and remix four tracks, or use the multitrack "ping-pong" recording technique to individually record up to ten independent parts — adding sound layer by layer until you create exactly the arrangement and texture your imagination demands with its ability to record on all four tracks at once, or in any combination, MT100II is the ideal choice for recording bands or layering tracks at home. And, because it's a YAMAHA, you know that the MT100II will give you the very finest sound quality and overall performance available.

In order to make use of the MT100II's many features and obtain maximum performance, we urge you to read this operation manual thoroughly — and keep it in a safe place for later reference.

CONTENTS

PRECAUTIONS	1
THE CONTROLS AND CONNECTORS	2
MT100II CONTROLS AND THEIR FUNCTIONS	2
CONNECTION EXAMPLES	8
ABOUT CASSETTE TAPES	9
THE RECORDING PROCESS	10
RECORDING THE FIRST TRACK	11
STEP 1: CHANNEL-TO-TRACK ASSIGNMENT	11
STEP 2: MONITOR SETUP	12
STEP 3: SETTING RECORDING LEVELS	13
STEP 4: RECORD	13
OVERDUBBING	14
PING-PONG RECORDING	15
A PING-PONG RECORDING EXAMPLE	16
MIXDOWN	17
USING THE GRAPHIC EQUALIZER	18
USING THE TAPE OUT JACKS	19
USING THE AUX SEND/RETURN LOOP	20
PUNCH-IN/OUT RECORDING	21
MAINTENANCE	22
SPECIFICATIONS	23
BLOCK DIAGRAM	77

PRECAUTIONS

1. AVOID EXCESSIVE HEAT, HUMIDITY, DUST AND VIBRATION

Keep the unit away from locations where it is likely to be exposed to high temperatures or humidity — such as near radiators, stoves, etc. Also avoid locations which are subject to excessive dust accumulation or vibration which could cause mechanical damage.

2. AVOID PHYSICAL SHOCKS

Strong physical shocks to the unit can cause damage. Handle it with care.

3. DO NOT OPEN THE CASE OR ATTEMPT REPAIRS OR MODIFICATION YOURSELF

This product contains no user-serviceable parts. For other than routine cleaning, refer maintenance to qualified YAMAHA personnel. Opening the case and/or tampering with the internal circuitry will void the warranty.

4. MAKE SURE POWER IS OFF BEFORE MAKING OR REMOVING CONNECTIONS

Always turn the power OFF prior to connecting or disconnecting cables. This is important to prevent damage to the unit itself as well as other connected equipment.

5. HANDLE CABLES CAREFULLY

Always plug and unplug cables — including the AC cord — by gripping the connector, not the cord.

6. CLEAN WITH A SOFT DRY CLOTH

Never use solvents such as benzine or thinner to clean the unit. Wipe clean with a soft, dry cloth.

7. ALWAYS USE THE CORRECT POWER SUPPLY

The MT100II should **only** be powered using the supplied YAMAHA PA100 AC Adaptor. The use of other adaptors can cause serious damage to the MT100II.

8. KEEP THE HEADS AND TAPE PATH CLEAN

To ensure consistent high performance and sound quality from your MT100II, it is important to clean the head and tape path regularly (ideally before each recording session). To do this, use a cleaning kit specifically designed for use with cassette tape equipment.

9. USE ONLY HIGH-QUALITY CHROME CASSETTE TAPE

The MT100II is designed for use with CrO₂ (chrome) formulation tape, and will not provide proper performance with any other type of tape. Always choose cassette tapes from a reliable manufacturer.

IMPORTANT NOTICE FOR THE UNITED KINGDOM

Connecting the Plug and Cord

IMPORTANT. The wires in this mains lead are coloured in accordance with the following code:

BLUE : NEUTRAL

BROWN : LIVE

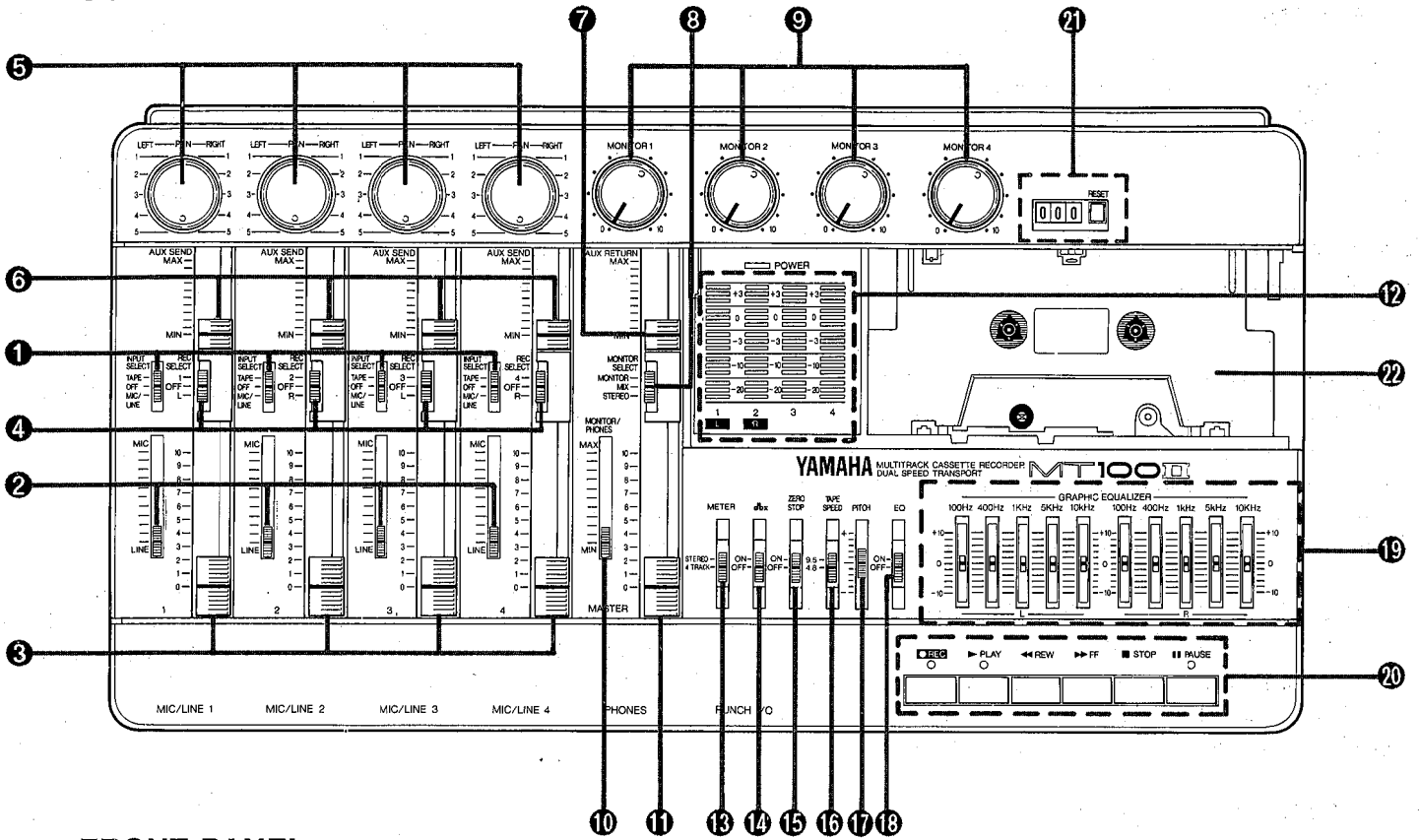
As the colours of the wires in the mains lead of this apparatus may not correspond with the coloured markings identifying the terminals in your plug proceed as follows:

The wire which is coloured **BLUE** must be connected to the terminal which is marked with the letter **N** or coloured **BLACK**.

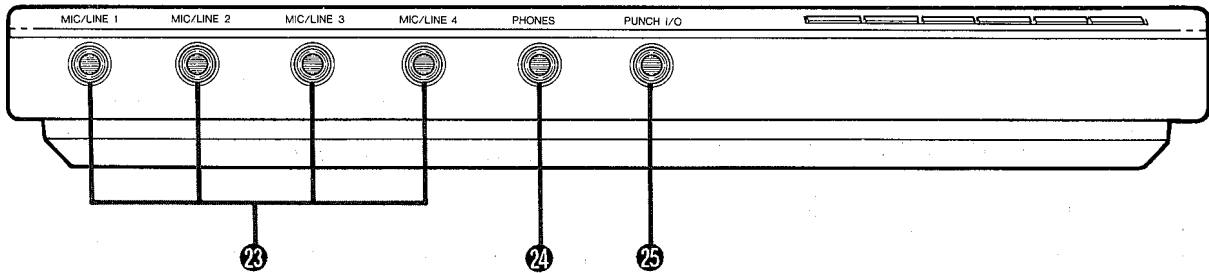
The wire which is coloured **BROWN** must be connected to the terminal which is marked with the letter **L** or coloured **RED**.

THE CONTROLS AND CONNECTORS

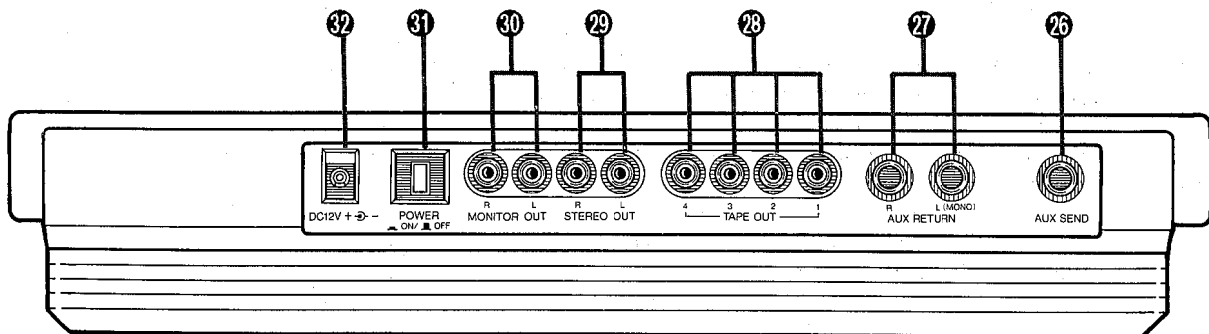
CONTROL PANEL



FRONT PANEL



REAR PANEL



MT100II CONTROLS AND THEIR FUNCTIONS

[Note] The terms "channel" and "track": In this owner's manual, the term "channel" refers to the circuitry and controls required to process one input source. MT100II's mixer section has four "channels." The term "track" refers to the magnetic bands on tape used to store signals recorded by MT100II's recorder section. Since MT100II records four separate bands of audio on tape, it is a four-"track" recorder.

1 INPUT SELECT Switches

The INPUT SELECT switches are used to select the input source for each of the four channels.

TAPE: Select this position to play back already recorded material. When selected, mixer channel 1 will receive playback from track 1; channels 2, 3, & 4 will receive tracks 2, 3, & 4 respectively.

OFF: In this position, the channel receives no input signal.

MIC/LINE: In this position, the channel can receive a microphone, keyboard, or other line-level signal which is connected to the input jack.

[Note] All channels which are not in use should be set to "OFF" position.

2 MIC/LINE Gain Controls

The gain controls adjust the sensitivity of the channel inputs to accept a wide range of signal levels — from line to microphone. The gain controls are used in conjunction for the input faders to set the optimum recording level with a wide range of sources (see "SETTING RECORDING LEVELS" on page 13).

[Note] A gain control only affects the level of the signal connected to the input jack.

3 Input Faders

The input faders are used to adjust the level (volume) of the corresponding mixer channel's signal, whether it comes from a source plugged into an input jack or from the MT100II's recorder section. (The INPUT SELECT switches are used to choose between the two.) The faders are used to set up the optimum levels when recording, and to balance (mix) the sound from the recorder's tracks when playing back a recording.

Noise and distortion are at their lowest at input fader level "7".

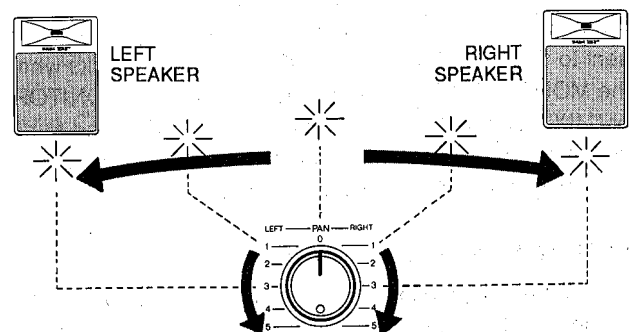
4 REC SELECT Switches

The REC SELECT switches are used when recording to assign (send) the signal from each mixer channel either directly to the corresponding track of the recorder or to a different track via the PAN controls (see "CHANNEL-TO-TRACK ASSIGNMENT" on page 11).

[Note] When any of the REC SELECT switches are set to a position other than OFF, the red indicator LED above the transport REC button will flash, indicating that the MT100II is set up to record. Recording will commence when the transport REC and PLAY buttons are pressed simultaneously. If all REC SELECT switches are set to OFF, the unit will not record even if the transport REC and PLAY buttons are pressed.

5 PAN Controls

The PAN controls assign the signal from the corresponding mixer channel to any desired position in the "stereo sound field". If a PAN control is set to the maximum "LEFT" position, the signal from that channel will appear only at the left-channel MT100II output (STEREO OUT L). If the PAN control is set fully RIGHT, the signal will appear only at the STEREO OUT R output jack. If a PAN control is set to its center position, then the signal from that channel will appear equally at both the left- and right-channel outputs, and the sound will appear to come from the center of the stereo sound field, a point midway between the two stereo speakers. By varying the level of the signal sent to the left- and right-channel outputs, the PAN control can be used to position the sound at any point in the stereo spectrum. The PAN controls can also be used during recording to assign the signal from several channels to a single track of the recorder section, or to assign a channel to a differently-numbered recorder track (see "CHANNEL-TO-TRACK ASSIGNMENT" on page 11).



⑥ AUX SEND Controls

The AUX SEND controls are used primarily when adding effects such as reverberation or echo to the sound of a channel or track. The AUX SEND control on each mixer channel determines the amount of signal from that channel sent to the AUX SEND jack. The AUX SEND jack must be connected to the input of an external signal processor such as the YAMAHA FX500 Simul-effect Processor (see "USING THE AUX SEND/RETURN LOOP" on page 20).

⑦ AUX RETURN Control

The AUX RETURN control determines the level at which the signal from an external signal processor is returned and mixed in with the MT100II's main stereo output signal. The output from an external signal processor fed by the AUX SEND jack must be connected to the AUX RETURN jack(s) (see "USING THE AUX SEND/RETURN LOOP" on page 20).

⑧ MONITOR SELECT Switch

MONITOR: This position is selected to listen to the four tape tracks. In this position a mix from the four MONITOR controls is sent to the PHONES jack and the MONITOR OUT jack.

MIX: This position is selected to hear a combination of the four tape tracks and input sources connected to the input jacks. The mix from the MONITOR controls is combined with the stereo output from the mixer section and sent to the PHONES jack and MONITOR OUT jack.

STEREO: This position is selected to monitor the stereo output from the mixer section. In this position, the mix sent to the MONITOR OUT jack and PHONES jack is the same mix that is sent to the STEREO OUT jacks.

⑨ MONITOR Controls 1 — 4

The four MONITOR controls determine the level of the signal from the corresponding recorder tracks which is sent to the PHONES jack and MONITOR OUT jacks when the MONITOR SELECT switch is set to either "MONITOR" or "MIX." The MONITOR controls are primarily used to set up the optimum levels for monitoring recorded tracks while recording new material (overdubbing).

⑩ MONITOR/PHONES Control

This control is used to set headphone and control room listening level. It adjusts the level of signal sent to the PHONES jack and MONITOR OUT jacks with out affecting the signal level appearing at the STEREO OUT jacks.

⑪ MASTER Fader

The MASTER fader sets the overall output level of the MT100II mixer section, and thus the level of the output signal appearing at the STEREO OUT jacks. The MASTER fader also affects recording level when any of the mixer section's channels are assigned to the recorder's tracks via the PAN controls (see "SETTING RECORDING LEVELS" on page 13).

⑫ LED Peak Meters

The four LED peak meters accurately display output levels from the MT100II's four recorder tracks when the METER switch is set to "4 TRACK", or meters 1 and 2 display the level of signals appearing at the mixer section's stereo outputs (the STEREO OUT jacks) when the METER switch is set to "STEREO."

The LED peak meters are a guide for setting up the optimum recording levels. (see "SETTING RECORDING LEVELS" on page 13).

⑬ METER Switch

When the METER switch is set to "STEREO," meters 1 and 2 display the level of signals appearing at the mixer section's stereo outputs (the STEREO OUT jacks). When set to "4 TRACK," the four LED peak meters display the level of the corresponding recorder track signals.

⑭ dbx ON/OFF Switch

The dbx switch determines whether the MT100II's internal dbx noise reduction system is ON or OFF. For normal recording and playback using the MT100II, the dbx switch should be turned ON. This provides a significantly improved signal-to-noise ratio (as much as 85 dB) so your recordings will sound cleaner and have much less tape hiss.

For dbx noise reduction to be effective, it must be turned ON both during recording and playback.

The dbx switch may be turned OFF when playing back tapes that were recorded on other equipment and which are **not** dbx-encoded.

⑮ ZERO STOP Switch

When the transport is in rewind, the ZERO STOP function automatically stops the tape at a specified location.

To set the ZERO STOP point, play the tape to the desired location and reset the tape counter to ZERO by pressing the counter reset button. In rewind, with the ZERO STOP switch "ON", the transport will stop when the tape counter reaches 999. This is particularly handy in the multitrack "overdub" process when it is necessary to repeatedly rewind the tape and play from the same point.

⑥ TAPE SPEED Switch

The TAPE SPEED switch selects either the standard 4.8-cm/sec cassette tape speed, or the MT100II's special 9.5-cm/sec high tape speed. Use the standard (4.8) speed when replaying tapes recorded on standard cassette recorders, or to obtain maximum tape economy. When you want maximum sound quality, use the high (9.5) tape speed. The improvement in sound quality provided by the high tape speed is significant, and we recommend that you use the high speed for all important recordings.

[Note] Never change the TAPE SPEED setting while the tape is running.

⑦ PITCH Control

The PITCH control varies tape speed by $\pm 10\%$, making it possible to "tune" material recorded on the MT100II to match the pitch of musical instruments, or to slightly lengthen or shorten the running time of a recording to meet specific timing requirements. Tape speed is normal when the PITCH control is set to its center click-stop position. Tape speed is increased by sliding the control towards the "+" end of the scale, and decreased by sliding the control towards the "-" end of the scale.

⑧ EQ Switch

This switch turns the graphic equalizer on and off.

⑨ Graphic Equalizer

An equalizer is used to tailor the signal to help it stand out or integrate into a mix. MT100II's graphic equalizer is a powerful signal shaping tool which allows you to augment or attenuate signal components up to 10 dB in five frequency bands. The graphic equalizer can be switched ON to enhance signals as they are recorded on tape, and again in playback.

[Note] When switched ON, the graphic equalizer can affect signals being routed to tape via the PAN controls when the REC SELECT switches which are set to "L" or "R". The graphic equalizer will not affect signals being routed to tape via REC SELECT switches which are set to "1 — 4".

⑩ Transport Controls

These light touch electronic transport controls provide smooth, sure control of the tape transport functions.

REC: In conjunction with the PLAY button, activates MT100II record circuitry. Recording is only possible when one or more of the REC SELECT switches are

set to a position other than OFF. If all the REC SELECT switches are set to OFF, the red REC indicator LED will flash when the REC button is pressed, and the orange PAUSE indicator will light. If any REC SELECT switch is set to a position other than OFF, the red REC indicator and the orange PAUSE indicator will light continuously. From the REC/PAUSE mode it is necessary to press the PLAY button to start the transport running. Actual recording will begin if at least one track REC SELECT button is set to a position other than OFF. If not, the transport will run in a record/ready mode until a REC SELECT switch is set to a position other than OFF.

[Note] Only tracks for which the REC SELECT switch is set to a recording position will be recorded when the RECORD mode is activated.

[Note] The RECORD mode **cannot** be activated if a cassette is loaded from which the record-prevention tab has been removed.

PLAY: Starts the transport running in the PLAY mode. The green PLAY indicator LED will light to indicate PLAY status.

REW (REWIND): Press this button the rewind the tape. If the ZERO STOP switch is ON, the tape will stop rewinding when the counter reaches "999."

FF (FAST FORWARD): Press this button the wind the tape ahead at high speed. When this button is pressed while in the PLAY mode, the audio will be heard as the tape winds ahead at high speed.

STOP: Immediately stops the transport and/or defeats the RECORD mode.

PAUSE: Temporarily stops playback or recording. The orange PAUSE indicator LED will light when the PAUSE mode is active. Press the PLAY button to disengage the PAUSE mode and continue playback or recording.

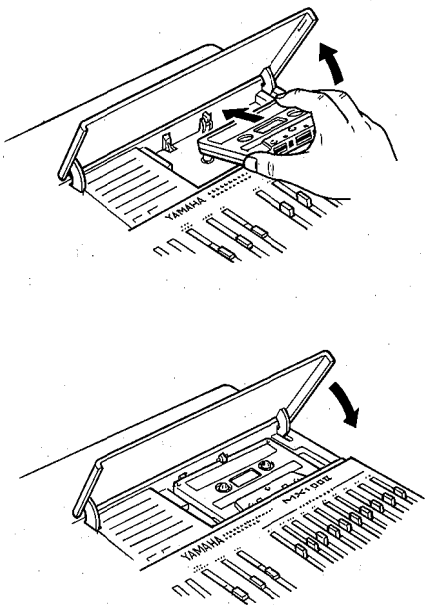
⑪ Tape Counter and RESET Button

This three-digit tape counter provides a handy index of tape position. It's a good idea to write down the counter readings for important points of a recording, so you can locate them easily afterwards. The RESET button resets the counter to "000" at the current tape position. This is a useful function when used in conjunction with the ZERO STOP switch to identify specific positions on the tape.

22 **Cassette Compartment**

Your cassette tape is loaded here. Use **only** high-quality chrome (CrO₂) formula cassette tape. Other tape formulations will not provide optimum frequency response and signal-to-noise performance.

A "lifter-tab" is provided at the right side of the cassette compartment cover. Lift the cover using this tab. Hold the cassette with the open end (the end at which you can see tape) facing the transport controls. First, press the rear edge of the cassette **DOWN** and **UNDER** the central retaining finger at the rear of the cassette compartment. Then gently press the front of the cassette **DOWN** to seat the cassette in place. (SEE DIAGRAM)



[Note] Since the MT100II uses the entire width of the cassette tape to record four tracks, the cassette can only be recorded on one side. Never change the TAPE SPEED setting while the tape is running.

23 **MIC/LINE Input Jacks 1 — 4**

These four input jacks accept signals from microphones, or from line-level sources including, electronic keyboards, electric guitars and basses and tape players. The four channel inputs are standard monaural 1/4" phone jacks. When a source is plugged into one of these jacks, its signal is sent to the corresponding channel of the MT100II's mixer.

24 **PHONES Jack**

Any pair of stereo monitor headphones with an impedance of between approximately 8 and 40 ohms can be plugged into this jack. Headphone monitoring is the most convenient way to listen to the MT100II's various signals. High-quality headphones such as the YAMAHA RH5M or MH100 are ideal for this purpose.

25 **PUNCH I/O Footswitch Jack**

An optional YAMAHA FS-1 Footswitch can be connected to this jack to permit foot-controlled punch-in and punch-out recording (see "PUNCH-IN/OUT RECORDING" on page 21).

26 **AUX SEND Jack**

27 **AUX RETURN R and L(MONO) Jacks**

The AUX SEND and RETURN jacks make it simple to use an external signal processor (such as the YAMAHA FX500 Simul-effect Processor) to add effects to MT100II signals. The AUX SEND jack should be connected to the input of your signal processor, and the output from your signal processor should be connected to the AUX RETURN jack. If your signal processor produces only monaural output, it should be connected to the L (MONO) AUX RETURN jack (see "USING THE AUX SEND/RETURN LOOP" on page 20).

28 **TAPE OUT Jacks 1 — 4**

The four TAPE OUT jacks are direct outputs from the corresponding tracks of the MT100II recorder. These RCA pin type jacks make it possible to feed the output from the four recorder tracks to an external mixing console. The TAPE OUT jacks can also be used to feed each of the recorder's tracks to external signal processors, the output of which can then be returned to the MT100II's mixer inputs.

29 **STEREO OUT R and L Jacks**

These are the main outputs from the MT100II, delivering the stereo output signal from the MT100II mixer section. The RCA pin-type STEREO OUT jacks can be connected to a stereo sound system for monitoring and listening. You can record a mixdown of your tape tracks when these jacks are connected to the inputs of a stereo recorder.

30 **MONITOR OUT R and L Jacks**

These jacks output the same signal fed to the PHONES jack (at line level). Control the level (volume) of the output using the MONITOR/PHONES control. The MONITOR OUT jacks can be connected to a stereo sound system for monitoring and listening. They are RCA pin type jacks.

① **POWER Switch**

Press the POWER switch once to turn power ON, a second time to turn power OFF. When the power is ON, the POWER LED above the LED peak meters on the MT100II top panel will light. Make sure that the input faders are set to "0" and the AUX RETURN level control is set to "MIN" before turning power on.

[Note] A muting function operates for five seconds after power is initially turned on, after which the recorder can be operated.

② **DC IN Jack (DC12V)**

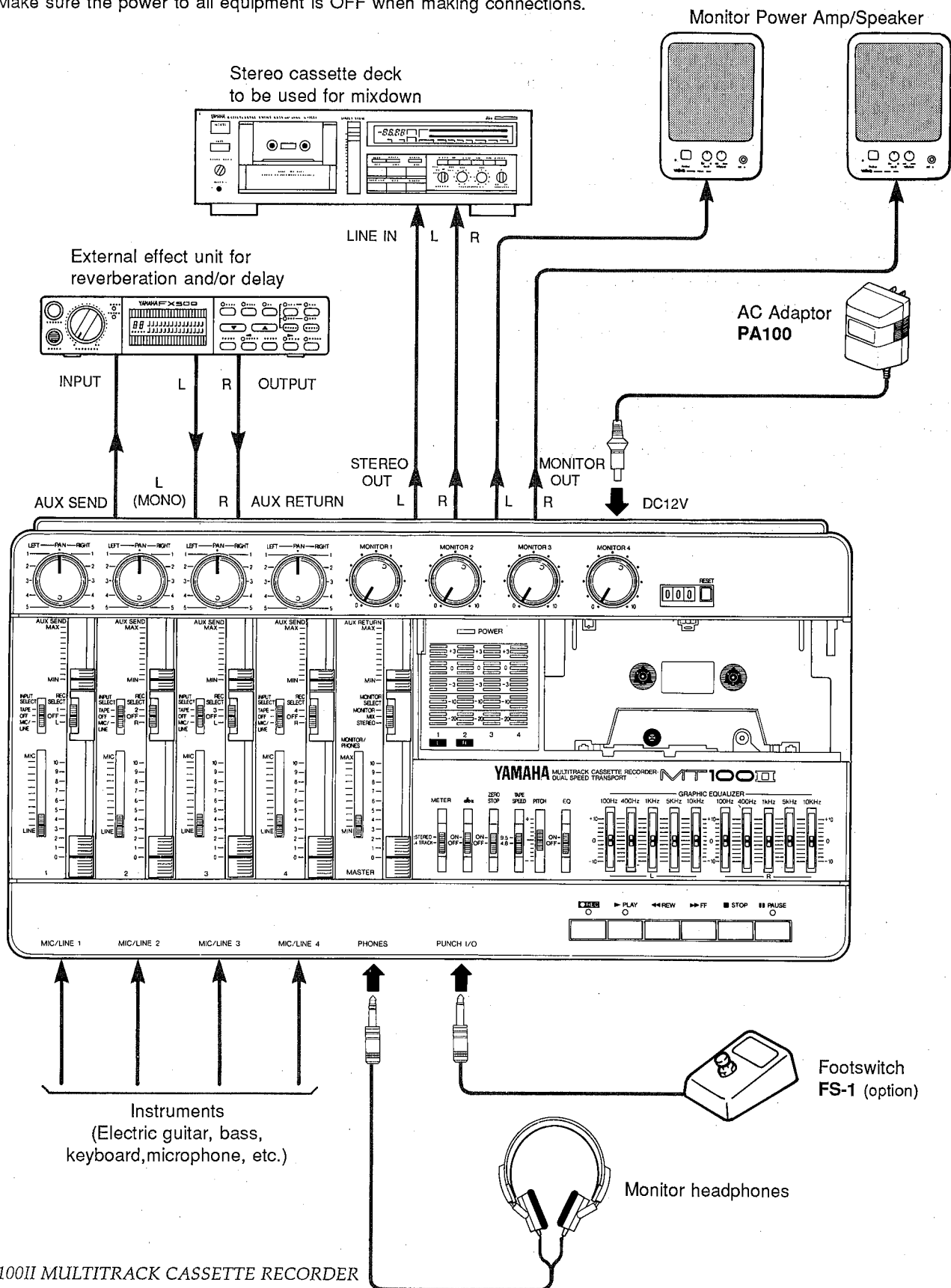
The DC output cord from the YAMAHA PA100 AC Adaptor supplied with the MT100II should be plugged in here. The AC Adaptor should be plugged into a convenient AC wall outlet.

Caution: Use **only** a YAMAHA PA100 AC Power Adaptor to power your MT100II. Other AC adaptors can cause faulty operation, and may even permanently damage your MT100II.

CONNECTION EXAMPLES

BASIC CONNECTIONS

* Make sure the power to all equipment is OFF when making connections.



ABOUT CASSETTE TAPES

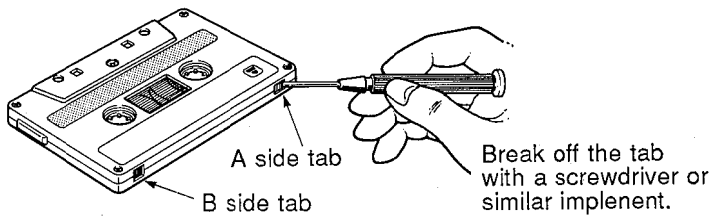
This unit is designed to be used **only with Chromeposition tape**, and will not work properly with Ferrichrome tape formulations. CrO₂ tape (Bias: HIGH; EQ: 70μs) should be used. Also, the use of C-120 tapes is not recommended because they exhibit poorer performance, and can be the cause of equipment failure.

● Preventing accidental erasure of recordings

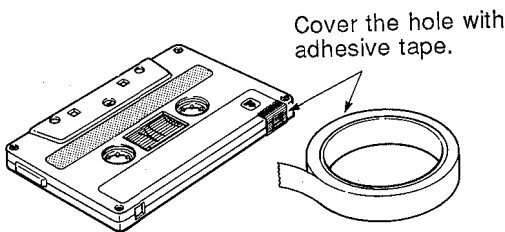
To keep from inadvertently erasing a prized recording, all cassette tapes have record protection tabs along the rear edge of the cassette shell. If this tab is broken out using a screwdriver or any other appropriate implement, it will not be possible to record on the corresponding side of the tape. This will protect your recordings from accidental erasure. To protect a 4-track recording, it's necessary to break out the tabs for both the A and B sides of the tape.

When you'd like to record over a tape with the tabs broken out, just cover the holes (where the tabs were) with a small piece of adhesive tape.

● PREVENTING ACCIDENTAL TAPE ERASURE:

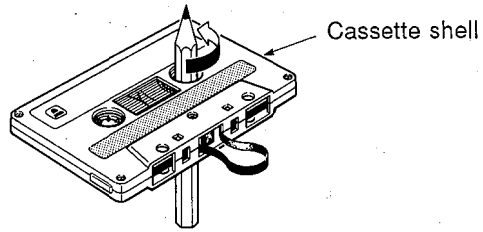


● RECORDING OVER A TAPE WITH THE TABS BROKEN OUT:



● Taking up tape slack

If the tape in the cassette is slack, or some portion of the tape is out of the cassette shell, there is a risk it may become tangled around the capstan or pinchroller. In order to correct this, insert a pencil or ballpoint pen into the center of one reel, and rotate to take up loose tape slack.



● Storing cassette tapes

To prevent tape slack during storage, keep tapes in their cases. Do not store tapes in direct sunlight, or in places with high heat or humidity, as this may damage the tapes. Also, keep the tapes away from magnetic fields, emitted from devices such as televisions or speakers, because the recordings can be erased or sonically altered to some degree.

THE RECORDING PROCESS

For details pertaining to the operation of MT100II controls, please refer to page 3, "MT100II CONTROLS AND THEIR FUNCTIONS".

Recording with the MT100II is a very simple process. All you need is the MT100II, a pair of monitor headphones, and an instrument, microphone, or other signal source.

The multitrack recording process can be basically broken down into the following steps:

1. Record the First Track.

- a) Select channel-to-track assignment for input source.
- b) Set Record Level.
- c) Record.

2. Overdub on the Remaining Tracks.

- a) Select channel-to-track assignment for each overdub.
- b) Set records level for each overdub.
- c) Record the overdub.

3. Track Combining.

- a) If necessary, use "ping pong" technique to combine tracks and clear them for additional overdubs.

4. Mixdown.

- a) Set up for monitoring the mix.
- b) Set up a rough mix and add effects.
- c) Finalize and rehearse the mix.
- d) Connect the MT100II STEREO OUT jacks to a stereo cassette recorder.
- e) Record (from the MT100II to the stereo cassette recorder).

These steps (and what the recording terms mean) will be described in detail below, so its a good idea to read through the following sections in sequence in order to get a clear picture of the overall recording process.

RECORDING THE FIRST TRACK

STEP 1: CHANNEL-TO-TRACK ASSIGNMENT

The first step in making any recording is to assign the channel to which your instrument or other source is connected to one of the recorder's tracks.

Depending on what you are recording, you might want to record a single instrument or other source on a single track of the tape, or you might want to combine several instruments or other sources and record them on a single track. The MT100II offers two "channel-to-track assignment" methods.

Direct Channel-to-Track Assignment

With this method, an instrument or source connected to one of the mixer's channels is fed directly to the correspondingly numbered track of the recorder. You can record a single track like this, or up to all four tracks simultaneously. Using this method, only one input source can be recorded on a single track.

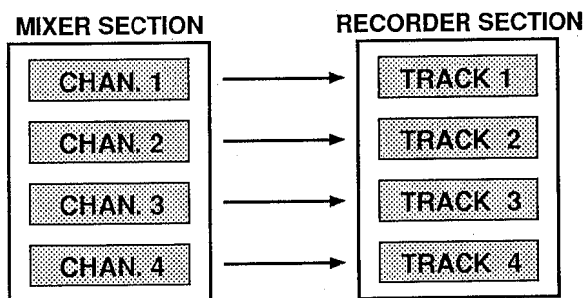
For direct channel-to-track assignment, the REC SELECT switches are set to the "number" position (1, 2, 3 or 4). For example, if the channel 1 REC SELECT switch is set to "1," the channel 1 signal will be sent directly to track 1 of the recorder. This applies in the same way to all other channels and tracks.

Panned Channel-to-Track Assignment

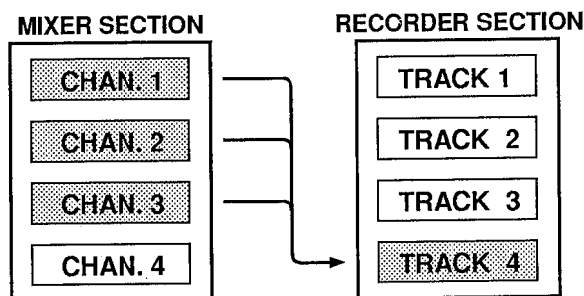
The panned channel-to-track assignment method makes it possible to assign several of the mixer's channels to a single recorder track, or single mixer channels can be assigned to a track of a different numbers.

Each of the REC SELECT switches has either an "L" or "R" position. These correspond to the left (L) and right (R) channels of the mixer's stereo output. If track 1's REC SELECT switch is set to "L" for example, track 1 will receive any signals which are "panned" LEFT. Therefore, it is possible to send the signal from channel 1 to track 4 by selecting "R" on track 4's REC SELECT switch and panning channel 1 RIGHT. In addition, any other channels which are panned RIGHT will also be recorded on track 4 if the faders for those channels are raised. The assignment illustrated below is achieved by setting track 4's REC SELECT switch to "R" and setting the PAN controls on channels 1, 2 and 3 fully right.

[Note] When a REC SELECT switch is set to "L" or "R" the track will also record signal from the "LEFT or RIGHT side" of the AUX return. Therefore, effects can be recorded along with input sources.



DIRECT CHANNEL - TO - TRACK ASSIGNMENT



PANNED CHANNEL - TO - TRACK ASSIGNMENT

STEP 2: MONITOR SETUP

Once your source is connected to an input channel and that channel is assigned to one of the recorder's tracks, you should set up your monitor system so that you can listen to the track as it is recorded.

The MT100II allows you to monitor the material being recorded either via a pair of headphones connected to the PHONES jack or via a sound system with speakers connected to the MONITOR OUT jacks. The level appearing at the PHONES jack and MONITOR OUT jacks is controlled by the MONITOR/PHONES control. The MONITOR SELECT switch has three positions which allow you to listen to tape tracks only (MONITOR position), input sources (STEREO position), or a combination (MIX position).

MONITOR: In this position only the output from the recorder's four tracks is sent directly to the PHONES jack and the MONITOR OUT jacks via the four MONITOR controls. The MONITOR controls are used to create the desired monitor "mix". This setup is ideal for general monitoring while recording because it allows you to listen to the four tape tracks while leaving input faders available to route signal sources to tape. Material already recorded on any of the recorder's tracks is delivered to the PHONES jack and MONITOR OUT jacks via the corresponding MONITOR controls. In this case, an input source can only be heard when it is assigned to a track via the appropriate REC SELECT switch, and the TRANSPORT controls are in the RECORD or RECORD/PAUSE mode.

MIX: Both the output from the recorder's four tracks (via the MONITOR controls) and the stereo output from the mixer section are sent to the PHONES jack and MONITOR OUT jacks.

STEREO: Only the stereo output from the mixer section is sent to the PHONES jack and MONITOR OUT jacks. This setting is most useful for mixdown of a completed multitrack recording, since you want to hear the mix produced by the mixer section's input faders and any effects applied using the AUX SEND and RETURN controls while mixing.

[Note] Speakers should not be used for monitoring if you will be recording via microphones, since the monitor sound will leak into the microphone(s) and spoil the recording.

STEP 3: SETTING RECORDING LEVELS

Setting optimum recording levels is vitally important to achieve the best possible recording quality.

1. Make sure that a cassette has been loaded into the cassette compartment, and that it is wound to the point at which you intend to start your recording. It's a good idea to press the counter RESET button to set the counter to "000" at this point so that you can automatically locate the beginning of the recording later using the ZERO STOP function.
2. Start by setting the channel input fader to be used set to its minimum ("0") position, and the MIC/LINE gain control all the way to LINE.
3. Press transport RECORD button, this activates MT100II's record circuit, and puts the transport in RECORD/PAUSE mode. Tape will not be moving. Play the source at the highest (loudest) level that it will be played during recording.
4. Set the MASTER fader to about "7" or "8" on the scale and gradually raise the input fader until you begin to hear the source sound and see the LED peak meter come to life. If your source is an electric instrument (guitar or bass) or a microphone, you may also have to slide the MIC/LINE gain control towards the MIC end of its scale to get a sufficiently high meter reading. Adjust the input fader and MIC/LINE gain control so that the meter reading averages between about "0" and "+3" on the scale. Ideally, the input fader should be set at about "7" or "8" on its scale to achieve the above-mentioned meter reading. This is to ensure the best possible signal-to-noise ratio and allow plenty of plus and minus leeway for later adjustment. If the fader setting is way off, try adjusting the volume control on the instrument or other source until you can get the optimum reading with a fader setting between "7" and "8." After levels are set, press STOP button to disengage RECORD/PAUSE transport status.

STEP 4: RECORD

When you have inserted a cassette, assigned the input channel to a recorder track, checked the monitor settings and set the optimum record level for the new track, you're ready to record.

[Note] Make sure the PITCH control is OFF (slider in the center position) while recording your first track.

1. Press the REC button and then the PLAY button to start recording, wait a few seconds, and start playing.
2. When you've finished recording the track, press the transport STOP button, turn the REC SELECT switch for the track just recorded to the OFF position, rewind the tape (the tape will stop automatically at counter "999" if the ZERO STOP switch is ON).
3. Play back the recording (press the PLAY button) and listen to the track to make sure that everything went as planned.

[Note] If you plan to record using microphones and you will be monitoring in the same room as where the microphones are set up, we recommend the use of headphones while actual recording is taking place. If speakers are used for monitoring during recording, their sound can "leak" back into the microphones compromising the quality of your recording.

OVERDUBBING

Overdubbing is the process of recording a new track (or new tracks) while monitoring previously recorded tracks. If you're only planning to record a maximum of four tracks, you can go ahead and overdub the second, third and fourth tracks. If you're planning to use the "ping-pong" recording technique to record more than four parts, however, record only three tracks and then move on to the ping-pong step (see "PING-PONG RECORDING" on page 15).

1. Plug the instrument or other source to be recorded into an available channel input.
2. Make sure that the REC SELECT switches of previously-recorded tracks are set to OFF so that previously recorded tracks aren't erased when the new track is recorded.
3. Set up the channel-to-track assignment for the new track.
4. Check your monitor settings to ensure that you can monitor the previously recorded track(s) as well as the new track to be recorded (the MONITOR SELECT switch should normally be set to MONITOR.)
5. Set the recording level for the new track.
6. You can now "rehearse" the overdub without actually recording by simply playing back the already-recorded track(s) and playing the new part. When MONITOR select is in the MONITOR position, it is not possible to hear input source unless MT100II's transport is in RECORD or RECORD/PAUSE. If you are not ready to actually record your overdub, and would like to hear the new input source along with previously recorded tracks, set the MONITOR select switch to the MIX position.
7. Make sure the tape is rewound to the beginning of the piece and start recording.

These steps are simply repeated to overdub tracks 3 and 4.

PING-PONG RECORDING

Ping-pong recording is a technique you can use to squeeze more than just 4 parts onto your 4-track machine. This is accomplished by re-recording a mix of existing tracks onto an open track. Once tracks have been combined in this way on a new track, the original tracks can be erased, clearing them for additional overdubs.

In ping-pong recording, you can record parts on tracks 1, 2, and 3, for example, and then re-record these tracks onto track 4, using the mixer controls to set up the right balance between the 3 original tracks. You now have a "mix" of the first 3 tracks on track 4, and tracks 1, 2, and 3 are available for more recording. That's already the equivalent of 6 "tracks" on your 4-track recorder. While mixing the first 3 tracks down onto track 4 you can also mix in a live instrument via the MT100II mixer section. That would give you 4 parts recorded on track 4 of the tape. With the 3 tracks you still have available for recording, that's a total of 7 tracks. Now, if you record only 2 of the remaining tracks and ping-pong these to track 3 while mixing in another live instrument, you'll have 4 parts on tracks 4, 3 parts on track 3, and 2 tracks available. That's a total of 9. Following this procedure it is actually possible to record up to 10 individual tracks without re-recording any single track more than once (refer to the illustration).

[Note] Ping-ponging is a critical step because the tracks to be ping-ponged must be mixed **perfectly** before you can go on to recording the subsequent tracks. This is because once they're ping-ponged and new material has been recorded on the original tracks, their balance and individual sound **cannot** be changed unless you go back and record the original tracks all over again.

[Note] It is recommended that you record using the 9.5 cm/sec tape speed with dbx ON if you plan to combine tracks using the ping-pong technique. Under some conditions, use of the 4.8 cm/sec tape speed with noise reduction OFF will cause feedback when a previously recorded track is re-recorded onto an adjacent track.

[Note] Ping-Pong recording technique requires that multiple tracks are directed to tape via PAN controls. Remember that a signal appearing at the stereo AUX RETURN will also be added along with the tracks being recorded or ping-ponged. To prevent an effect from being recorded, set the AUX RETURN fader to "0" (all the way off).

EXAMPLE: Recording tracks "1" through "10" using the Ping-pong process.

	Record parts 1, 2 and 3.	Ping-Pong 1, 2 and 3 to track 4 while adding part 4.	Record parts 5 and 6.	Ping-Pong 5 and 6 to track 3 while adding part 7.	Record part 8.	Move 8 to track 2 while adding 9.	Record 10 the last part.
TRACK 1	1		5		8	8 + 9	10
TRACK 2	2		6			5, 6 + 7	8 + 9
TRACK 3	3			5, 6 + 7	5, 6 + 7	1, 2, 3 + 4	5, 6 + 7
TRACK 4		1, 2, 3 + 4	1, 2, 3 + 4	1, 2, 3 + 4	1, 2, 3 + 4	1, 2, 3 + 4	1, 2, 3 + 4

A PING-PONG RECORDING EXAMPLE

The following is an example of how you would ping-pong material recorded on tracks 1, 2 and 3 onto track 4.

Here's how the controls should be set:

•INPUT SELECT switches

Make sure that the channel 1, 2 and 3 INPUT SELECT switches are set to TAPE and the channel-4 INPUT SELECT switch is set to OFF.

•Input Faders

To begin with, set the input 1 through 3 faders to about "7" on their scales, and set the MASTER fader to "0."

•REC SELECT Switches

The channel 1 through 3 REC SELECT switches must be set to OFF, and the channel-4 REC SELECT switch should be set to "R."

•AUX SEND Controls

Set all four AUX SEND controls to MIN for the time being.

•GRAPHIC EQUALIZER Switch

Switch this OFF for the time being.

•PAN Controls

Since the channel-4 REC SELECT switch is set to "R," the channel 1 through 3 PAN controls must be rotated full clockwise (right) to assign the track 1, 2 and 3 signals to track 4 of the tape. The channel-4 PAN control can be set to center.

•AUX RETURN Control

Set to MIN for the time being.

•MONITOR SELECT Switch

Set to MIX so you'll only hear signals from the MT100II recorder.

•MONITOR Controls

Set the channel 1 through 3 MONITOR controls fully counter-clockwise, and the channel-4 MONITOR control to about center or a position that will provide the best monitoring level.

1. Play back the tape. Gradually increase the MASTER fader setting until you can hear the tracks you've recorded and the channel-4 meter reads around "0" on the meter scale. Adjust the MONITOR 4 control for the most comfortable monitoring level.
2. Adjust the input 1, 2 and 3 faders — carefully — until you get the desired balance between the first three tracks. You'll notice that as you adjust the balance between tracks the channel-4 meter reading might change considerably. You'll have to compensate for this as you set up the ping-pong mix by adjusting the MASTER fader.
3. At this time the GRAPHIC EQUALIZER may be switched "on" and used to enhance the sound-quality of tracks as they are combined.
4. AUX SEND controls on the channels may be used to add an effect to the balance. The amount of effect added is controlled by the AUX RETURN fader.
5. When everything is set up perfectly, rewind the tape to the beginning and start recording. Sit back and wait until the ping-pong is complete, then stop the recorder. Now play back the tape and listen to the ping-ponged track carefully. If something sounds odd, go back and repeat the ping-pong process. You can do this as many times as necessary until you get it right — **then** go on to the next step.
6. Complete your recording by overdubbing and using the Ping-Pong technique as necessary.

[Note] Only one output (left or right) of the effect will be recorded. If the RECORD SELECT switch is set to "L", the output of the effect processor connected to the LEFT AUX RETURN jack will be recorded. If the RECORD SELECT switch is set to "R", the output of the effect processor connected to the RIGHT AUX RETURN jack will be recorded.

MIXDOWN

Mixdown is the last stage in the recording process at which time you can blend and polish the sounds to create the final product. A "MIX" is created by finely balancing the four tracks to achieve just the right sound. This final balance is achieved using MT100II's mixer section and is re-recorded onto a conventional stereo tape deck. Tracks can be faded in or out as required, and refinements such as overall reverberation or equalization can be added using external signal processing equipment and MT100II's 5-band on-board GRAPHIC EQUALIZER. The mixer's PAN controls can be used to position each track at their appropriate location in the stereo image, and you may even want to move or PAN a sound from one channel to the other to create a dramatic effect.

Here's how your system should be set up:

- **INPUT SELECT Switches**

Make sure that all four INPUT SELECT switches are set to TAPE.

- **Input Faders**

Set all channels to "0" (minimum).

- **REC SELECT Switches**

Set all REC SELECT Switches to OFF.

- **AUX SEND Controls**

Set all four AUX SEND controls to MIN for the time being.

- **GRAPHIC EQUALIZER Switch**

Switch this OFF for the time being.

- **PAN Controls**

Start with all PAN controls set to center.

- **MASTER Fader**

Set to about "7" or "8" on the scale.

- **AUX RETURN Control**

Set to MIN for the time being.

- **MONITOR SELECT Switch**

You will want to monitor the same signal which appears at the STEREO OUT jacks, so set this switch to STEREO. We recommend using an external sound system or a pair of powered monitor speakers (such as the YAMAHA MS101 Monitor Speaker) for mixdown.

- **MONITOR Controls**

Set all MONITOR controls fully counter-clockwise.

- **METER Switch**

STEREO.

- **dbx Switch**

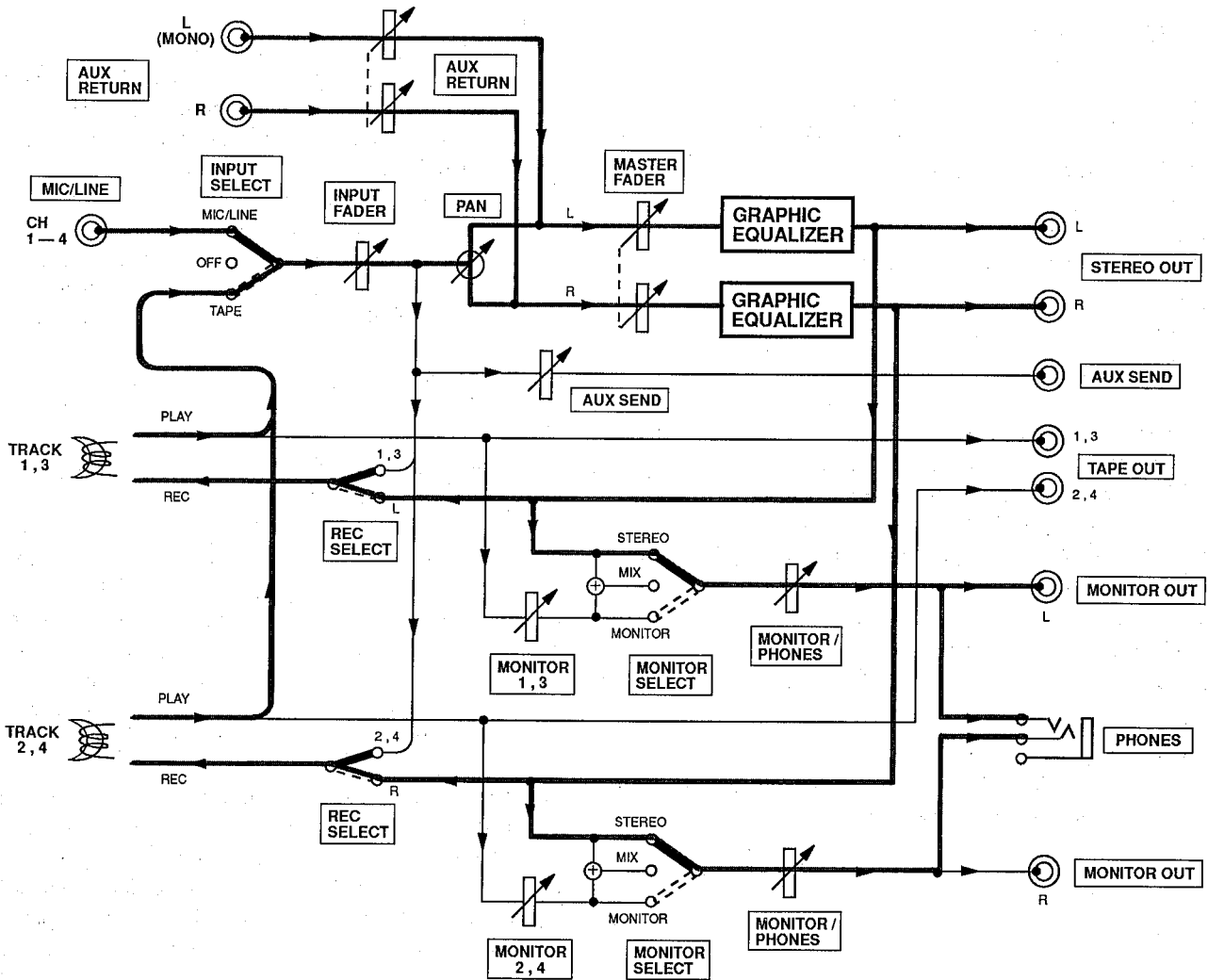
If you started recording with the dbx switch set to ON, leave it there. If OFF, it should stay OFF.

1. Sit in a comfortable, central position in front of your monitor speakers.
2. Listen to, evaluate, and adjust the sound of each track individually. This simply means raising the fader of a single track, adding effects or other signal processing as required, then repeating the process on the next track until all tracks have been carefully checked. MT100II's 5-band GRAPHIC EQUALIZER can be used to add or subtract high, mid, and low frequency components from the overall mix, creating a more exciting and coherent marriage of the tracks. If you have an external signal processing device such as the YAMAHA FX500 Simul-effect Processor connected into the MT100II's AUX SEND/RETURN loop as described in the following section ("USING THE AUX SEND/RETURN LOOP"), it's a simple matter to select the desired effect on your signal processor and add the required amount of effect to each track using the AUX SEND controls. The AUX RETURN control must also be set to an appropriate level.
3. When all tracks have been individually checked, bring all input faders up to about "7" or "8" on the scale and play back the tape. Adjust the faders for the best overall balance. Now adjust the PAN controls to place each track at the desired location in the stereo sound field. Now listen carefully — too much or too little reverb on any track? Readjust the AUX SEND controls to achieve the desired effect. Balance not quite right? Keep readjusting until you are satisfied. You should also rehearse any fades or pans you plan to do while actually recording the mix.
4. When you're sure everything is ready, prepare to actually record the mix. Connect the MT100II STEREO OUT jacks to the inputs of a stereo cassette recorder. Plug your monitor headphones into the stereo cassette deck phones jack if you want to listen as you record the mix, or simply leave them connected to the MT100II PHONES jack and listen with the MONITOR SELECT switch set to STEREO. Use the stereo cassette deck record level control(s) and, if necessary, the MT100II MASTER fader to set the optimum record level, then go ahead and record. The MT100II MASTER fader can also be used to add a slow fade at the end of the piece.

USING THE GRAPHIC EQUALIZER

The MT100II has a stereo 5-band graphic equalizer built in. As the block diagram below makes clear, signals assigned to the left and right channels by the PAN control and level adjusted using the MASTER FADER are sent to the equalizer. Therefore, it can be used during ping-pong recording, mixdown operation and when recording with the REC SELECT control set to "L" or "R." The equalizer cannot be used when the REC SELECT control is set to "1" — "4," however, since each channel signal is recorded directly on the appropriate track.

The graphic equalizer affects only the signal paths marked with bold lines in the diagram below.

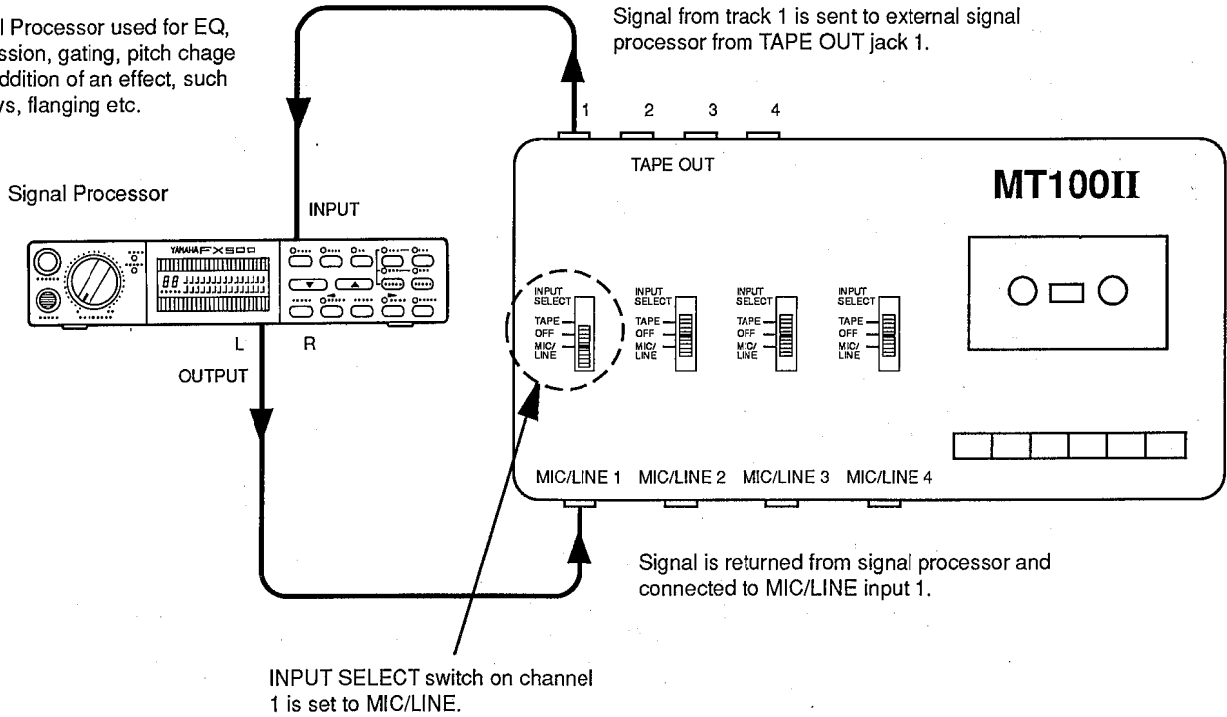


USING THE TAPE OUT JACKS

The tape out jacks can be used to feed the tape outputs to an external mixer. In mixdown, individual tracks can be processed using a signal processor, which receives signal from the TAPE OUT jack and the output of which is returned to a channel's INPUT jack. See diagram.

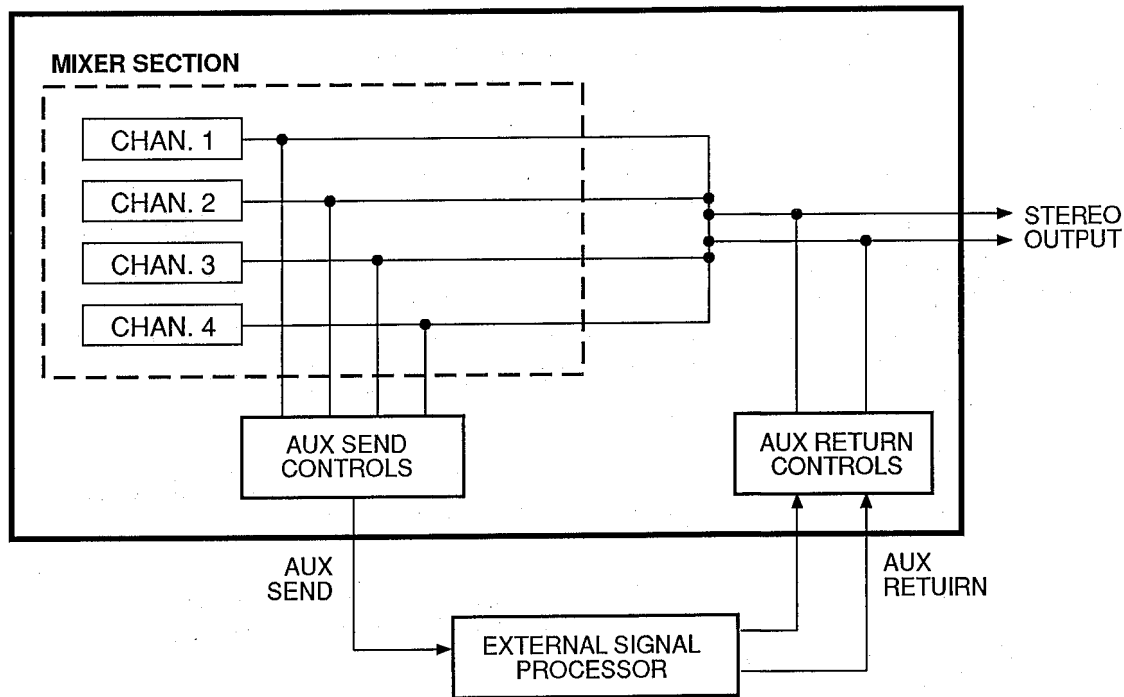
Processing Individual Tracks In Mixdown Using TAPE OUT Jacks

External Processor used for EQ, compression, gating, pitch change or the addition of an effect, such as delays, flanging etc.



USING THE AUX SEND/RETURN LOOP

The MT100II's AUX SEND controls function like a secondary mixer that derives its input signals from the main mixer's four channels and combines them into a mono signal which is delivered via the AUX SEND jack (refer to the diagram below). You can use the AUX SEND controls to create an "effect mix", independent of the main mix, thus adding the required degree of effect to each channel signal. The AUX SEND signal is sent to the input of an external signal processor (reverb, echo or other effect device), and the output from the signal processor is returned to the AUX RETURN jacks. The level of the signal received at the AUX RETURN jacks can be adjusted using the AUX RETURN control, and the resulting signal is combined with the MT100II's main stereo output signal. Since the returned effect signal is combined with the mixer's stereo output signal, the AUX SEND/RETURN loop can be used in mixdown to add an effect to tracks when they are being recorded. In this case tracks must be assigned to tape using the "panned channel-to-track" assignment method (see page 11).



[Note] Since the AUX SEND/RETURN loop returns the effect signal to the mixer section's stereo outputs, effects can be added to channels during ping-pong recording as long as the panned channel-to-track assignment method is used. The AUX SEND/RETURN loop cannot be used to add effects when recording tracks which have been assigned using the direct channel-to-track assignment method.

PUNCH-IN/OUT RECORDING

Punch-in/out recording makes it possible to re-record a short segment of an otherwise perfect track in order to correct a mistake or "brush up" an important passage. You "punch-in" at the point where you begin recording the new segment, and "punch-out" at the end of the new segment so that the previously-recorded material is not erased.

Punch-in/out Using the REC SELECT Switches

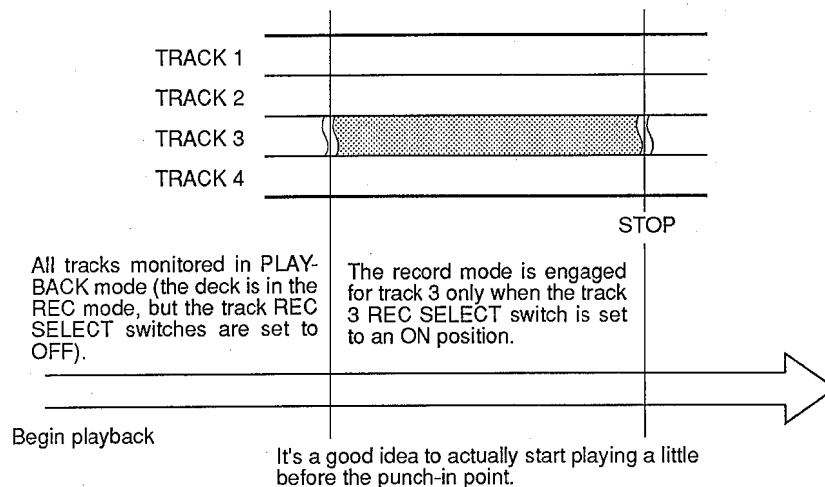
1. With all REC SELECT switches set to OFF, start the recorder running — a few measures before the section to be re-recorded begins — in the record-ready mode by pressing the REC button and then the PLAY button with all track REC SELECT switches set to OFF. The red REC LED will flash indicating that the transport is in the record-ready mode. The MONITOR SELECT switch should be set to MONITOR so you can hear all the tracks.
2. At a convenient break in the track switch the track to be corrected to the record mode (punch-in by switching the REC SELECT switch for that track to the appropriate record position) and start playing the new material to be recorded. The REC LED will light continuously as soon as the REC SELECT switch is set to a record position.
3. At the end of the re-recorded segment switch the track back to the play mode (punch-out by switching the REC SELECT switch for that track to OFF). The red REC LED will begin to flash.

Footswitch Punch-in/out

1. Plug a YAMAHA FS-1 (optional) footswitch into the MT100II PUNCH I/O jack.
2. Set the REC SELECT switch for the track to be punched-in to the appropriate record position, and press the REC button to activate the rec/pause mode. The red REC LED should flash instead of lighting continuously. If the red REC LED lights continuously, press the footswitch once so that it flashes. If the LED lights continuously, press the footswitch once so that it flashes.

CAUTION: WHEN USING A FOOTSWITCH, MAKE SURE THE RED REC LED LIGHT IS FLASHING, NOT STEADY BEFORE PUTTING THE TRANSPORT IN RECORD. THIS WILL PREVENT ACCIDENTAL ERASURE OF EXISTING MATERIAL. DO NOT PRESS REC AND PLAY.

3. Press the PLAY button to start the transport running in the record-ready mode.
4. Press the footswitch to punch-in. The red REC LED will light continuously.
5. Press the footswitch a second time to punch-out. The red REC LED will begin to flash.



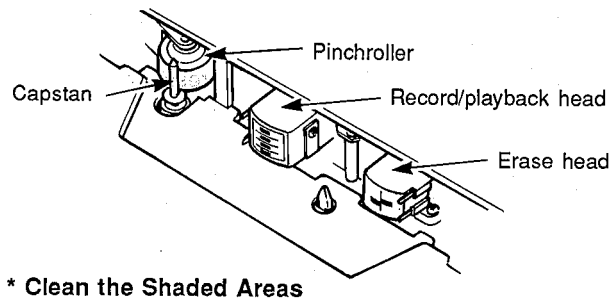
MAINTENANCE

The MT100II recording & playback head has been precision-constructed to extremely fine tolerances in order to make high-quality 4-track recording possible. Optimum performance can only be achieved if the head surface is kept immaculately clean. Cleaning should be carried out at regular intervals — at least after every 10 hours of use.

Dirty heads can cause any of, or a combination of, the following problems:

- Recording, playback and erasure are not possible.
- Reduced playback sound level.
- Fluctuating and or/distorted sound.
- Excessive noise.
- A drop in level at the high frequencies.

If any of the above problems occur, clean the heads carefully **before** assuming the fault is with the recorder. Use a commercially available head-cleaning kit (read the instructions provided with the kit), or wipe carefully with a cloth or cotton swab that has been dampened with isopropyl alcohol. Also clean the pinch roller at the same time as the heads.



SPECIFICATIONS

TAPE TRANSPORT

Tape Type	<i>Chrome (70 microsec. EQ)</i>
Heads	<i>4-channel Permalloy rec/play head 4-channel ferrite erase head</i>
Tape Speed	<i>4.8 cm/sec., 9.5 cm/sec.</i>
Pitch Control	<i>± 10%</i>
Wow & Flutter	<i>Less than 0.15% WRMS</i>
Rewind Time	<i>Approx. 100 sec., for C-60 tape</i>
Motor	<i>DC servo motors (2)</i>

CONNECTORS

Input 1 — 4	Input Impedance	<i>10 k-ohms</i>
	Rated Input Level	<i>-10 dB to -50 dB (fader nominal)</i>
	Max. Input Level	<i>+10 dB (gain control min.)</i>
AUX RETURN L & R	Min. Input Level	<i>-56 dB (gain control, fader max.)</i>
	Input Impedance	<i>10 k-ohms</i>
	Rated Input Level	<i>-10 dB (AUX RETURN level control nominal)</i>
STEREO OUT L & R	Min. Input Level	<i>-16 dB (AUX RETURN level control max.)</i>
	Output Impedance	<i>1 k-ohm</i>
	Load Impedance	<i>Greater than 10 k-ohms</i>
PHONES	Rated Output Level	<i>-10 dB into 50 k-ohms</i>
	Load Impedance	<i>8 to 40 ohms</i>
	Max. Output Level	<i>45 mW + 45 mW/40 ohms</i>
TAPE OUT 1 — 4	Output Impedance	<i>1 k-ohm</i>
	Load Impedance	<i>Greater than 10 k-ohms</i>
	Rated Output Level	<i>-10 dB into 50 k-ohms</i>
AUX SEND	Output Impedance	<i>1 k-ohm</i>
	Load Impedance	<i>Greater than 10 k-ohms</i>
	Rated Output Level	<i>-10 dB into 50 k-ohms</i>
MONITOR OUT	Output Impedance	<i>1 k-ohm</i>
	Load Impedance	<i>Greater than 10 k-ohms</i>
	Rated Output Level	<i>-10 dB into 50 k-ohms</i>

ELECTRICAL SPECIFICATIONS

Frequency Response (NR OUT)	<i>50 Hz to 18 kHz, +3 dB/-6 dB at 9.5 cm/sec. 50 Hz to 12.5 kHz, +3 dB/-6 dB at 4.8 cm/sec.</i>
S/N ratio (3% THD Level)	<i>85 dB, dbx ON, IHF-A</i>
Distortion	<i>1.5% at 315 Hz, dbx on, -10 dB Rec, Level</i>
Channel Separation	<i>Greater than 55 dB at 1 kHz, dbx on</i>
Erasure Ratio	<i>Greater than 70 dB at 1 kHz, dbx on</i>
Noise Reduction	<i>dbx *</i>
Graphic Equalizer	<i>100, 400, 1k, 5k, 10kHz (± 10 dB), Q = 0.7</i>

GENERAL

Power Requirements	<i>U.S. & Canadian Models: 120 V AC, 60 Hz</i>
(PA100 AC Adaptor)	<i>General Model: 220/240 V AC, 50/60 Hz</i>
Dimensions (WxHxD)	<i>400 x 76 x 212 mm (15-3/4" x 3" x 8-3/8")</i>
Weight	<i>2.0 kg (4 lbs 7 oz)</i>

** dbx is a trademark of dbx Incorporated.*

0 dB = 0.775 Vr.m.s.

All specifications subject to change without notice.

Français

ENREGISTREUR DE CASSETTES MULTIPISTE

MT100II

MANUEL D'INSTRUCTIONS

FELICITATIONS!

Votre enregistreur de cassettes multipiste MT100II est un outil créatif pour l'enregistrement peu commun qui vous permettra de travailler avec le son de nombreuses manières différentes. Aucun autre enregistreur de cassettes multipiste offre la simplicité directe et l'aisance d'utilisation du MT100II. Que vous ayez besoin d'enregistrer des instruments acoustiques et des voix au moyen de microphones, ou des sources de haut niveau et instruments électroniques directement connectés, ou encore un mélange créatif des deux, le MT100II vous permet de créer votre propre son sans problème et avec la plus grande aisance. Vous pouvez tout simplement enregistrer et remélanger quatre pistes, ou utiliser la technique de l'enregistrement multipiste en "ping-pong" pour enregistrer individuellement jusqu'à dix parties indépendantes, ajoutant le son couche par couche jusqu'à ce que vous ayez créé l'arrangement et la texture que votre imagination demande. Grâce à sa possibilité d'enregistrer simultanément sur les quatre pistes, ou en toute combinaison, le MT100II s'avère le choix idéal pour enregistrer des orchestres ou pour superposer des pistes chez soi. Le MT100II est aussi simple à utiliser seul qu'avec un groupe. Et parce que c'est un YAMAHA, vous avez la certitude que le MT100II vous donnera la qualité sonore et les performances générales les meilleures qu'il soit possible d'obtenir. Afin d'utiliser au mieux les innombrables fonctions du MT100II et d'en obtenir des performances maximales, nous vous suggérons de lire très attentivement ce manuel d'instructions et de le ranger dans un endroit sûr afin de pouvoir vous y référer plus tard.

TABLES DES MATIERES

PRECAUTIONS	27
COMMANDES ET RACCORDEMENTS	28
COMMANDES DU MT100II ET LEURS FONCTIONS	29
EXEMPLES DE RACCORDEMENT	34
QUELQUES REMARQUES SUR LES CASSETTES	35
METHODE D'ENREGISTREMENT	36
ENREGISTREMENT DE LA PREMIERE PISTE	37
ETAPE 1: ASSIGNATION CANAL/PISTE	37
ETAPE 2: PREPARATION DU SYSTEME D'ECOUTE DE CONTROLE	38
ETAPE 3: REGLAGE DES NIVEAUX D'ENREGISTREMENT	39
ETAPE 4: ENREGISTREMENT	39
SURMIXAGE	40
ENREGISTREMENT EN PING-PONG	41
EXEMPLE D'UN ENREGISTREMENT EN PING-PONG	42
MIXDOWN	43
UTILISATION DE L'EGALISEUR GRAPHIQUE	44
UTILISATION DES PRISES DE SORTIE DE BANDE	45
UTILISATION DE LA BOUCLE TRANSMISSION/RETOUR	46
ENREGISTREMENT PUNCH-IN/PUNCH-OUT	47
ENTRETIEN	48
SPECIFICATIONS	49
SCHEMA DE PRINCIPE	77

PRECAUTIONS

1. EVITER CHALEUR, HUMIDITE, POUSSIERE ET VIBRATIONS EXCESSIVES

Ne pas placer l'appareil là où il pourrait être soumis à des températures ou une humidité excessives, comme par exemple à proximité d'un radiateur, d'un calorifère, etc. Eviter également les endroits particulièrement poussiéreux ou soumis à des vibrations qui pourraient provoquer des dommages mécaniques.

2. EVITER LES CHOCS

Des chocs physiques violents peuvent endommager l'appareil. Par conséquent le manipuler avec soin.

3. NE PAS OUVRIR L'APPAREIL ET NE PAS ESSAYER DE LE REPARER OU DE LE MODIFIER SOI-MEME

Ce produit ne contient pas de pièces réparables par l'utilisateur. Pour les opérations autres que l'entretien de routine, toujours faire appel à un réparateur YAMAHA qualifié. Le fait d'ouvrir l'appareil et/ou d'altérer les circuits internes annulerait la garantie.

4. AVANT DE PROCEDER AUX BRANCHEMENTS OU AUX DEBRANCHEMENTS, CONFIRMER QUE L'APPAREIL EST HORS TENSION

Avant de brancher ou de débrancher les cordons toujours mettre l'appareil hors tension. Cette démarche est importante, car elle permet d'éviter tout dommage à l'appareil, ainsi qu'aux autres composants raccordés.

5. MANIPULER PRECAUTIONNEUSEMENT LES CORDONS

Brancher et débrancher les cordons, le cordon d'alimentation secteur y compris, en saisissant le connecteur, jamais en tirant sur le cordon.

6. NETTOYER L'APPAREIL AVEC UN CHIFFON DOUX ET SEC

Ne jamais utiliser de solvants, tels que la benzine ou un dissolvant, pour nettoyer l'appareil. L'essuyer simplement avec un chiffon doux et sec.

7. TOUJOURS UTILISER UNE SOURCE D'ALIMENTATION ADEQUATE

Le MT100II ne doit être alimenté qu'à l'aide de l'adaptateur secteur YAMAHA PA100 fourni. L'utilisation de tout autre adaptateur pourrait gravement endommager le MT100II.

8. MAINTENIR LES TETES ET LE PASSAGE DE LA BANDE PROPRES

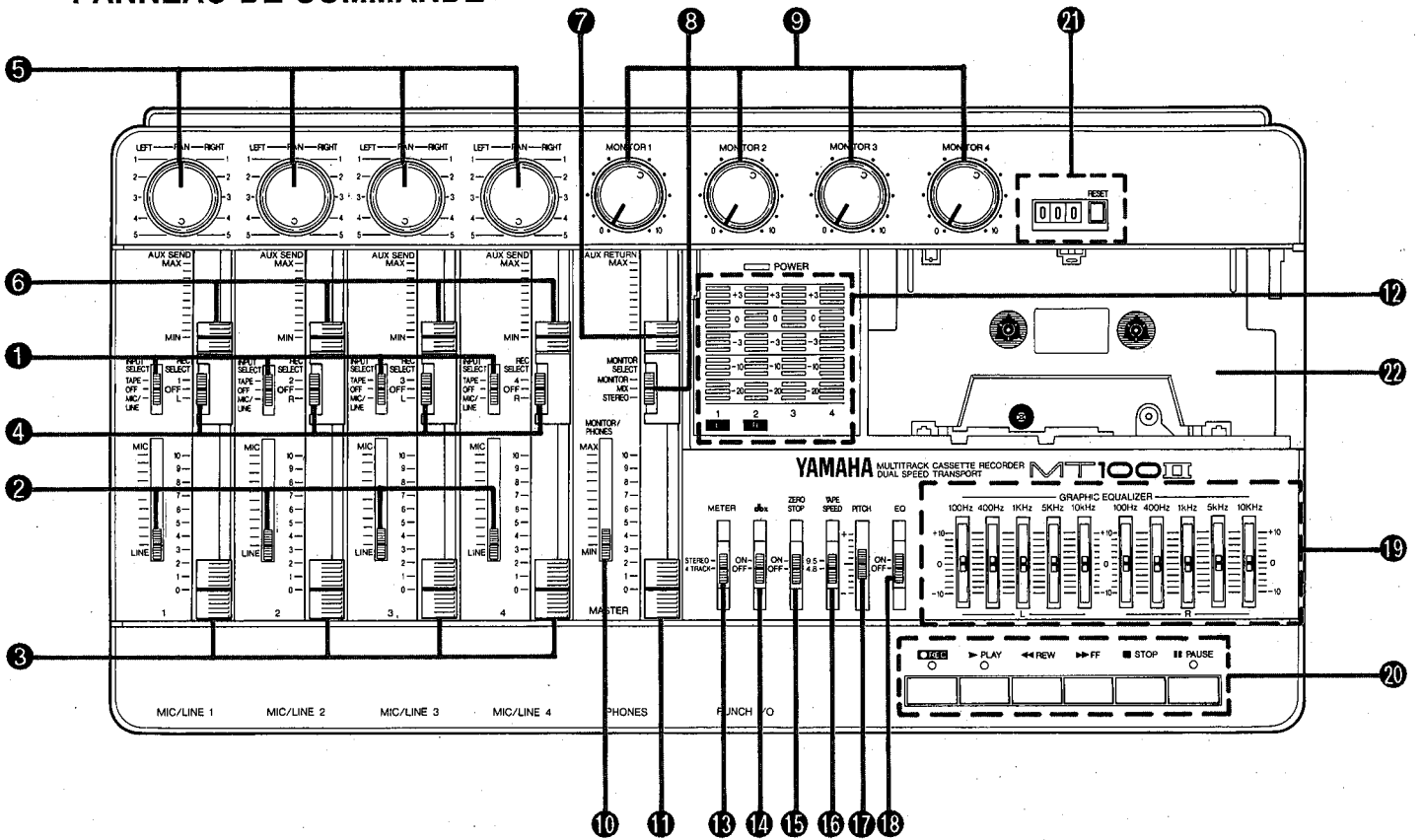
Afin de toujours obtenir des performances élevées et une bonne qualité sonore du MT100II, il est très important de nettoyer régulièrement les têtes et le passage de la bande (idéalement parlant avant chaque séance d'enregistrement). Pour ce faire, utiliser un kit de nettoyage spécialement conçu pour être utilisé avec des appareils à cassettes.

9. N'UTILISER QUE DES CASSETTES AU CHROME DE QUALITE SUPERIEURE

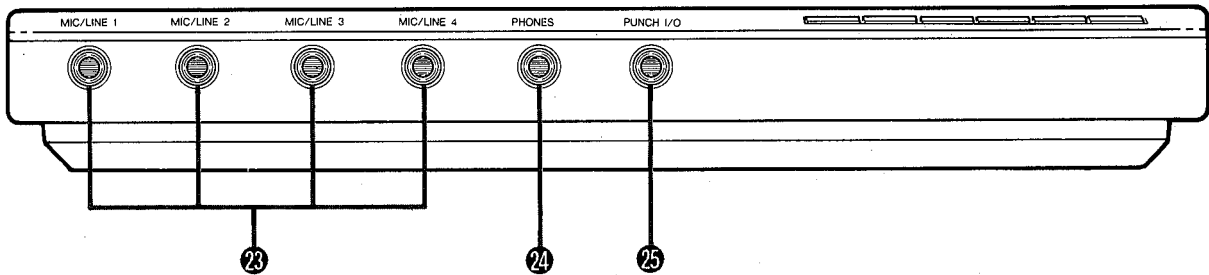
Le MT100II a été conçu pour être utilisé avec des cassettes CrO₂ (chrome) et ses performances seront moindres avec un autre type de cassette. Toujours choisir des cassettes d'une marque de confiance.

COMMANDES ET RACCORDEMENTS

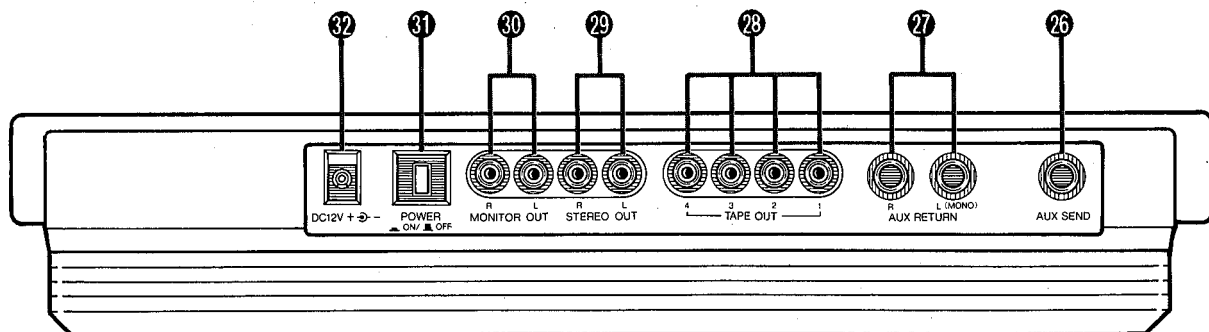
— PANNEAU DE COMMANDE —



— FACE AVANT —



— FACE ARRIERE —



COMMANDES DU MT100II ET LEURS FONCTIONS

[Remarque] Terme "canal" et terme "piste": Dans ce manuel d'instructions, le terme "canal" se rapporte à la circuiterie et aux commandes requises par le traitement d'une source d'entrée. La section de mélange du MT100II possède quatre "canaux". Le terme "piste" se rapporte aux bandes magnétiques destinées à conserver les signaux enregistrés pour différencier les quatre "canaux" de l'étage mélangeur et les quatre "pistes" de l'étage enregistreur du MT100II. Le terme "piste" est également utilisé pour désigner les quatre "pistes" effectivement enregistrées sur la bande.

① Sélecteur d'entrée (INPUT SELECT)

Les sélecteurs INPUT SELECT servent à sélectionner l'entrée de chacun des quatre canaux.

TAPE: Choisir cette position pour la lecture de signaux déjà enregistrés. Quand cette position est choisie, le canal de mélange 1 reçoit la lecture de la piste 1, tandis que les canaux 2, 3 et 4 reçoivent respectivement la lecture des pistes 2, 3 et 4.

OFF: Dans cette position, le canal ne reçoit aucun signal d'entrée.

MIC/LINE: Dans cette position, le canal peut recevoir le signal d'un microphone, d'un clavier ou tout autre signal de haut niveau raccordé à la prise d'entrée.

[Remarque] Les canaux non utilisés doivent être réglés sur la position "OFF".

② Commandes de gain (MIC/LINE)

Les commandes de gain permettent de régler la sensibilité d'entrée des canaux afin qu'ils puissent accepter des signaux ayant des niveaux très variés, du niveau de ligne au niveau de microphone. Les commandes de gain sont utilisées conjointement aux potentiomètres d'entrée afin de régler le niveau d'enregistrement optimal pour une grande variété de sources (voir "REGLAGE DES NIVEAUX D'ENREGISTREMENT" à la page 39).

[Remarque] Une commande de gain n'affecte que le niveau du signal raccordé à la prise d'entrée.

③ Potentiomètres d'entrée

Les potentiomètres d'entrée sont utilisés pour régler le niveau (volume) du signal du canal correspondant de l'étage mélangeur, qu'il provienne d'une source connectée à une prise d'entrée ou de l'étage enregistreur du MT100II. Les potentiomètres sont utilisés pour obtenir les niveaux optima pendant l'enregistrement et pour équilibrer (mixer) le son en provenance des pistes de l'étage enregistreur pendant la lecture d'un enregistrement. Le bruit et la distorsion sont les plus faibles lorsque les potentiomètres sont réglés sur le niveau "7".

④ Sélecteurs d'enregistrement (REC SELECT)

Les sélecteurs REC SELECT sont utilisés pendant l'enregistrement pour affecter (transmettre) les signaux en provenance de chaque canal de l'étage mélangeur, soit directement à la piste correspondante de l'étage enregistreur, soit à une piste différente via les commandes PAN (voir "ASSIGNATION CANAL/PISTE" à la page 37).

[Remarque] Lorsqu'un des sélecteurs REC SELECT est mis sur une position autre que "OFF", le témoin à LED rouge situé au-dessus de la touche REC se met à clignoter pour indiquer que le MT100II est prêt pour enregistrer. L'enregistrement commence lorsque les touches REC et PLAY sont simultanément sollicitées. Si tous les sélecteurs REC SELECT sont mis sur la position OFF, l'appareil n'enregistrera pas même si les touches REC et PLAY sont sollicitées.

⑤ Commandes panoramiques (PAN)

Les commandes PAN assignent le signal en provenance du canal correspondant de l'étage mélangeur à la position souhaitée dans le "champ sonore stéréo". Si une commande PAN est tournée à fond sur la position "LEFT" (gauche), le signal de ce canal ne sera appliqué qu'à la sortie de canal gauche (STEREO OUT L) du MT100II. Si une commande PAN est tournée à fond sur la position "RIGHT" (droite), le signal ne sera appliqué qu'à la sortie STEREO OUT R. Si une commande PAN est mise sur la position centrale, le signal de ce canal sera appliqué d'une manière égale aux sorties de canal gauche et de canal droit et le son semblera provenir du centre du champ sonore stéréo, c'est-à-dire, en un point à égale distance des deux enceintes acoustiques. En faisant varier le niveau du signal envoyé aux sorties des canaux gauche et droit, la commande PAN peut être utilisée pour positionner le son en tout point du spectre stéréo. Les commandes PAN peuvent également être utilisées pendant l'enregistrement pour assigner les signaux en provenance de plusieurs canaux à une seule piste de l'étage enregistreur, ou pour assigner un canal à une piste de l'étage enregistreur ayant un numéro différent (voir "ASSIGNATION CANAL/PISTE" à la page 37).

6 Commandes de transmission auxiliaire (AUX SEND)

Les commandes AUX SEND servent principalement lors de l'addition d'effets, tels que les effets de réverbération ou d'écho, au son de chaque canal ou piste. La commande AUX SEND de chaque canal de l'étage mélangeur détermine la partie du signal de ce canal qui sera transmises à la prise AUX SEND. La prise AUX SEND doit être reliée à l'entrée d'un processeur de signaux externe, comme par exemple le processeur d'effets multiples YAMAHA FX500 (voir "UTILISATION DE LA BOUCLE TRANSMISSION/RETOUR" à la page 46).

7 Commande de retour auxiliaire (AUX RETURN)

La commande AUX RETURN détermine le niveau auquel le signal en provenance d'un processeur de signaux externe est renvoyé et mélangé au signal de sortie stéréo principal du MT100II. La sortie d'un processeur de signaux externe transmise par la prise AUX SEND doit être reliée à la prise AUX RETURN (voir "UTILISATION DE LA BOUCLE TRANSMISSION/RETOUR" à la page 46).

8 Sélecteur d'écoute de contrôle (MONITOR SELECT)

MONITOR: Cette position est choisie pour écouter les quatre pistes de l'étage enregistreur. Dans cette position, un mélange des quatre commandes MONITOR est transmise à la prise PHONES et à la prise MONITOR OUT.

MIX: Cette position est choisie pour écouter la combinaison des quatre pistes de l'étage enregistreur et les sources d'entrée raccordées aux prises d'entrée. Le mélange en provenance des commandes MONITOR est combiné à la sortie stéréo de l'étage mélangeur et transmis à la prise PHONES et à la prise MONITOR OUT.

STEREO: Cette position est utilisée pour contrôler la sortie stéréo de l'étage mélangeur. Dans cette position, le mélange envoyé à la prise MONITOR OUT et à la prise PHONES est le même mélange envoyé aux prises STEREO OUT.

9 Commandes de monitoring (MONITOR 1 — 4)

Les quatre commandes MONITOR déterminent le niveau des signaux provenant des pistes de l'étage enregistreur correspondantes et qui sont transmis à la prise PHONES et aux prises MONITOR OUT lorsque le sélecteur MONITOR SELECT est mis sur la position "MONITOR" ou sur la position "MIX". Les commandes MONITOR sont utilisées

principalement pour régler le niveau optimal lors de l'écoute de contrôle de pistes déjà enregistrées tout en enregistrant de nouveaux matériaux (surmixage).

10 Commande de contrôle/casque (MONITOR/PHONES)

Cette commande règle le niveau du casque d'écoute et le niveau d'écoute du local de contrôle. Elle ajuste le niveau du signal transmis à la prise PHONES et aux prises MONITOR OUT, sans affecter le niveau du signal présent aux prises STEREO OUT.

11 Potentiomètre principal (MASTER)

Le potentiomètre MASTER permet de régler le niveau de sortie d'ensemble de l'étage mélangeur du MT100II et, par conséquent, le niveau du signal de sortie appliqué aux prises STEREO OUT. Le potentiomètre MASTER règle également le niveau d'enregistrement lorsque l'un des canaux de l'étage mélangeur est assigné aux pistes de l'étage enregistreur, via les commandes PAN (voir "REGLAGE DES NIVEAUX D'ENREGISTREMENT" à la page 39).

12 Indicateurs de crête à LED

Les quatre indicateurs de crête à LED affichent d'une manière précise les niveaux de sortie des quatre pistes de l'étage enregistreur du MT100II lorsque le sélecteur METER est mis sur la position "4 TRACK". Les indicateurs numéros 1 et 2 affichent le niveau des signaux aux sorties stéréo (prises STEREO OUT) de l'étage mélangeur lorsque le sélecteur METER est mis sur la position "STEREO".

Les indicateurs de crête à LED servent de guide lors du réglage des niveaux d'enregistrement optima pour l'enregistrement de matériaux nouveaux (voir "REGLAGE DES NIVEAUX D'ENREGISTREMENT" à la page 39).

13 Sélecteur d'affichage (METER)

Lorsque le sélecteur METER est mis sur la position "STEREO", les indicateurs 1 et 2 affichent le niveau des signaux apparaissant aux sorties stéréo (prises STEREO OUT) de l'étage mélangeur. Lorsqu'il est mis sur la position "4 TRACK", les quatre indicateurs de crête à LED affichent le niveau des pistes correspondantes de l'étage enregistreur.

14 Interrupteur dbx (dbx)

L'interrupteur dbx commande l'activation/désactivation du circuit interne de réduction du bruit dbx du MT100II. Pendant la lecture ou l'enregistrement normal à l'aide du MT100II, l'interrupteur dbx doit être mis sur "ON". Ceci permet d'obtenir un rapport signal/bruit considérablement amélioré (jusqu'à 85 dB) de sorte que les enregistrements

seront plus clairs, avec très peu de sifflement de bande. Pour que le système de réduction de bruit dbx soit efficace, il doit être activé aussi bien pendant l'enregistrement et que pendant la lecture. L'interrupteur dbx doit être mis sur "OFF" pendant la lecture de bandes enregistrées sur un autre appareil et non codées dbx.

15 **Commande d'arrêt sur zéro (ZERO STOP)**

La commande ZERO STOP permet de retrouver rapidement un point spécifique d'une bande au cours du rebobinage. Pour utiliser la fonction ZERO STOP, reproduire la bande jusqu'au point souhaité et remettre le compteur de bande sur "000" en appuyant sur la touche RESET. Au cours du rebobinage, avec la touche ZERO STOP enclenchée, la bande s'arrête automatiquement lorsque le compteur atteint "999". Cette fonction est particulièrement pratique dans le cas d'un enregistrement multipiste du fait qu'il est nécessaire de rebobiner constamment la bande jusqu'au même point.

16 **Sélecteur de vitesse de défilement (TAPE SPEED)**

Le sélecteur TAPE SPEED permet de sélectionner soit la vitesse de défilement standard de 4,8 cm/sec, soit la vitesse spéciale du MT100II de 9,5 cm/sec. Utiliser la vitesse standard (4,8) pour la lecture de bandes enregistrées sur magnétocassettes standards ou pour des raisons d'économie de bande. Utiliser la vitesse élevée (9,5) pour obtenir une meilleure qualité sonore. L'amélioration de la qualité sonore que donne la vitesse de défilement élevée est assez importante et nous préconisons d'utiliser cette vitesse pour tous les enregistrements importants.

[Remarque] Ne jamais modifier le réglage du sélecteur TAPE SPEED pendant qu'une bande défile.

17 **Commande de vitesse de défilement (PITCH)**

La commande PITCH fait varier la vitesse de défilement de la bande de $\pm 10\%$, ce qui permet "d'accorder" les matériaux enregistrés avec le MT100II en fonction de la hauteur tonale d'instruments de musique, ou de légèrement prolonger ou réduire le temps de passage d'un enregistrement à des fins de synchronisation. La vitesse de défilement est normale lorsque la commande PITCH est à la position centrale marquée par un déclic. Pour accélérer la vitesse de défilement faire coulisser la commande vers l'extrémité "+" de l'échelle et pour la réduire la faire coulisser vers l'extrémité "-".

18 **Interrupteur d'égalisation (EQ)**

Cette touche permet de mettre l'égaliseur graphique en ou hors circuit.

19 **Egaliseur graphique**

L'égaliseur graphique sert à adapter le signal à supporter ou à s'intégrer à un mélange. L'égaliseur graphique du MT100II est un moyen efficace qui permet d'augmenter ou de diminuer les composants du signal jusqu'à 10 dB, sur cinq bandes de fréquences. Il peut être enclenché pour accentuer les signaux quand ils sont enregistrés sur bande et une fois de plus, à la lecture.

[Remarque] Quand il est enclenché, l'égaliseur graphique peut affecter les signaux acheminés vers la bande via les commandes PAN, à condition que les sélecteurs REC SELECT soient réglés sur "L" ou "R". L'égaliseur graphique n'affecte pas les signaux acheminés vers la bande via les sélecteurs REC SELECT réglés sur "1 — 4".

20 **Commandes de défilement**

Ces touches au toucher électronique assurent un contrôle précis et en douceur des fonctions du transport de bande.

Enregistrement (REC): Couplés à la touche PLAY, elle active la circuiterie d'enregistrement du MT100II. L'enregistrement n'est possible que si un sélecteur REC SELECT, ou plus, est réglé sur une position autre que "OFF". Si tous les sélecteurs REC SELECT sont mis sur la position OFF, le témoin à LED rouge REC clignote, alors que le témoin orange PAUSE reste allumé continuellement. Si un des sélecteurs REC SELECT est mis sur une position autre que "OFF", les deux témoins à LED, rouge REC et orange PAUSE, resteront allumés continuellement. Lorsque l'appareil est en mode REC/PAUSE, il faut appuyer sur la touche PLAY pour lancer le défilement de la bande. L'enregistrement véritable commence si au moins un des sélecteurs REC SELECT est mis sur une position autre que "OFF". Dans le cas contraire, le défilement se poursuit en mode prêt à l'enregistrement, jusqu'à ce qu'un sélecteur

[Remarque] Seules les pistes dont le sélecteur REC SELECT correspondant est mis sur une position d'enregistrement seront enregistrées lorsque le mode d'enregistrement est activé.

[Remarque] Le mode d'enregistrement ne peut pas être activé si une cassette sans languette de protection est mise en place.

Lecture (PLAY): Lance le défilement de la bande en mode de lecture. L'indicateur à LED vert PLAY indique que l'appareil est en mode de lecture.

Rembobinage (REW): Appuyer sur cette touche pour rebobiner la bande. Si la commande ZERO STOP est mise sur "ON", la bande s'arrêtera automatiquement lorsque le compteur atteint "999".

Avance rapide (FF): Appuyer sur cette touche pour faire défiler rapidement la bande. Si cette touche est sollicitée pendant la lecture, le matériau enregistré sur la bande restera audible mais à une vitesse accélérée.

Arrêt (STOP): Arrête immédiatement le défilement de la bande ou libère le mode d'enregistrement.

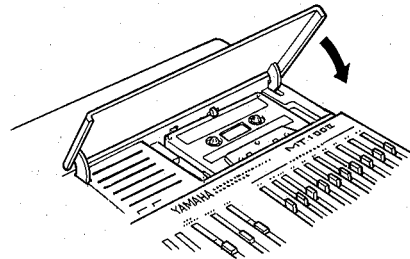
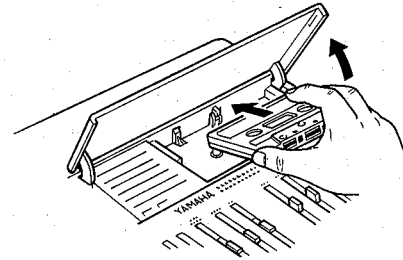
PAUSE: Interrompt la lecture ou l'enregistrement. Le témoin à LED orange PAUSE s'allume en mode de PAUSE. Appuyer sur la touche PLAY pour sortir du mode de PAUSE et reprendre la lecture ou l'enregistrement.

⑪ **Compteur de bande et touche de remise à zéro (RESET)**

Ce compteur de bande à trois chiffres permet de repérer facilement la position de la bande. Il est conseillé de noter les indications du compteur pour tous les points importants d'un enregistrement afin de pouvoir les retrouver facilement plus tard. La touche RESET permet de remettre le compteur à "000" sur la position à laquelle se trouve la bande. Cette fonction est particulièrement commode pour retrouver un point spécifique d'une bande lorsqu'elle est utilisée en conjonction avec la fonction ZERO STOP.

⑫ **Compartment de cassette**

La cassette est mise en place dans ce compartiment. Utiliser uniquement des cassettes au chrome (CrO₂) de qualité supérieure. Tout autre type de cassette ne permettra pas d'obtenir une réponse de fréquence optimum ainsi que la performance signal sur bruit. Une languette se trouve sur le côté droit du volet du compartiment. Soulever le volet à l'aide de cette languette. Introduire la cassette avec son bord ouvert (le côté où la bande est visible) dirigé vers les commandes de défilement. Ensuite, pousser le bord arrière de la cassette sous le doigt de retenue central à l'arrière du compartiment et pousser ensuite le bord avant. (VOIR SCHEMA)



[Remarque] Du fait que le MT100II utilise toute la largeur de la bande pour enregistrer quatre pistes, la cassette ne peut être enregistrée que d'un seul côté. Si on tente de retourner la cassette et d'enregistrer de l'autre côté, tout l'enregistrement déjà effectué sera effacé.

⑬ **Prises d'entrée MIC/LINE 1 — 4**

Ces quatre prises d'entrée acceptent des signaux en provenance de microphones, ou de sources de haut niveau, comme des claviers électroniques, des guitares électroniques, des basses et des lecteurs de cassette. Les quatre entrées sont des prises téléphoniques monorales standard de 1/4 de pouce. Lorsqu'une source est branchée à l'une de ces prises, son signal est transmis au canal correspondant de l'étage mélangeur du MT100II.

⑭ **Prise de casque (PHONES)**

Un casque d'écoute stéréo ayant une impédance comprise entre 8 et 40 ohms peut être connecté à cette prise. Le monitoring par casque est le moyen le plus pratique d'écouter les divers signaux du MT100II, et dans ce but nous préconisons vivement l'achat d'un casque d'écoute comme le YAMAHA RH5M ou MH100.

26 *Prise de pédale (PUNCH I/O)*

Une pédale YAMAHA FS-1 en option peut être connectée à cette prise afin de pouvoir commander au pied l'enregistrement punch-in/punch-out (voir "ENREGISTREMENT PUNCH-IN/PUNCH-OUT" à la page 47)

26 *Prise de transmission auxiliaire (AUX SEND)*

27 *Prises de retour auxiliaire (AUX RETURN R et L (MONO))*

Les prises AUX SEND et AUX RETURN facilitent l'utilisation d'un processeur de signaux externe (comme par exemple le processeur d'effets multiples YAMAHA FX500) afin d'ajouter des effets aux signaux du MT100II. La prise AUX SEND doit être reliée à l'entrée du processeur de signaux et la sortie du processeur de signaux à la prise AUX RETURN. Si le processeur de signaux est à sortie mono, il doit être connecté à la prise AUX RETURN L (MONO) (voir "UTILISATION DE LA BOUCLE TRANSMISSION/RETOUR" à la page 46).

28 *Prises de sortie de bande (TAPE OUT 1 — 4)*

Les quatre prises TAPE OUT sont les sorties directes des pistes correspondantes de l'étage enregistreur du MT100II. Ces prises permettent de transmettre la sortie des quatre pistes de l'étage enregistreur à une console de mixage externe. Les prises TAPE OUT peuvent également être utilisées pour transmettre chaque piste de l'étage enregistreur à des processeurs de signaux externes, dont les sorties peuvent être ensuite retournées aux entrées de l'étage mélangeur du MT100II.

29 *Prises de sortie stéréo (STEREO OUT R et L)*

Ces prises sont les sorties principales du MT100II; elles fournissent les signaux de sortie stéréo en provenance de l'étage mélangeur du MT100II. Les prises STEREO OUT, du type RCA à broches, peuvent être reliées à une chaîne audio stéréo pour la surveillance et l'écoute. Il est possible d'enregistrer un mélange des pistes de la bande quand ces prises sont reliées aux entrées d'un enregistreur stéréo.

30 *Prises de sortie d'écoute de contrôle (MONITOR OUT L et R)*

Ces prises de sortie fournissent le même signal que celui transmis à la prise PHONES (au niveau de ligne). Le niveau (volume) de sortie peut être réglé au moyen de la commande MONITOR/PHONES. Les prises MONITOR OUT peuvent être reliées à une chaîne audio stéréo pour le monitoring ou l'écoute normale. Ce sont des prises de type à broches RCA.

31 *Interrupteur d'alimentation (POWER)*

Appuyer une première fois sur l'interrupteur POWER pour mettre l'appareil sous tension et une deuxième fois pour le mettre hors tension. Lorsque le MT100II est sous tension, le témoin d'alimentation à LED, situé au-dessus des indicateurs de crête sur le panneau supérieur du MT100II, s'allume. S'assurer que tous les potentiomètres d'entrée sont réglés sur "0" et que la commande de niveau AUX RETURN est réglée sur "MIN" avant de mettre l'appareil sous tension.

[Remarque] Une fonction d'assourdissement entre en action pendant environ 5 secondes après la mise sous tension après quoi il est possible d'utiliser l'appareil.

32 *Prise d'entrée CC (DC12V)*

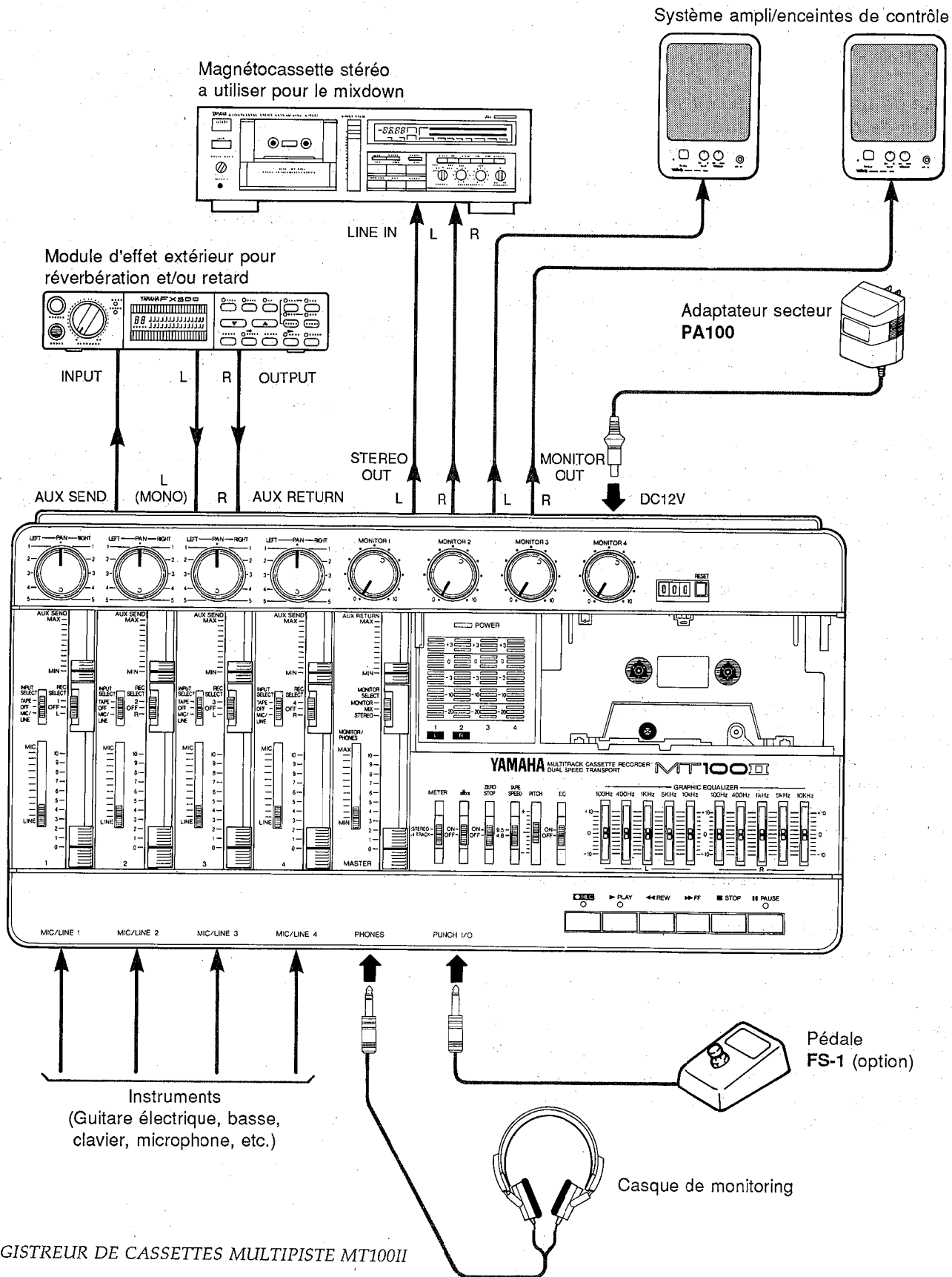
Le cordon de sortie CC de l'adaptateur secteur YAMAHA PA100 fourni avec le MT100II doit être connecté à cette prise. L'adaptateur secteur doit être branché à une prise secteur murale.

Attention: Utiliser uniquement l'adaptateur YAMAHA PA100 pour alimenter le MT100II. Tout autre adaptateur secteur pourrait provoquer un fonctionnement défectueux, ou même endommager définitivement le MT100II.

EXEMPLES DE RACCORDEMENT

CONNEXIONS DE BASE

* Mettre tous les appareils hors tension avant d'effectuer les raccordements.



QUELQUES REMARQUES SUR LES CASSETTES

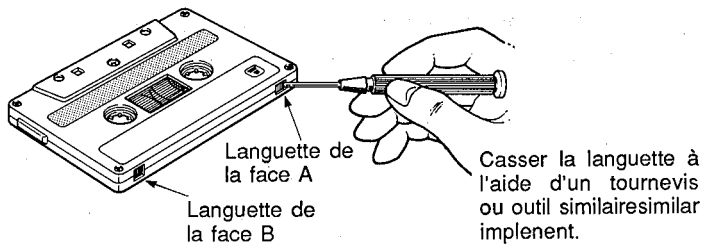
Cet appareil a été conçu pour être utilisé uniquement avec des bandes au chrome et il ne fonctionnera pas correctement avec des bandes de type ferrochrome. Des bandes CrO₂ (Polarisation: ELEVEE; EQ: 70 μ s) doivent être utilisées. En outre, l'utilisation de bandes C-120 n'est pas conseillée du fait que ces bandes ont des performances médiocres et qu'elles risquent de provoquer des pannes de l'appareil.

● Prévention contre l'effacement accidentel d'un enregistrement

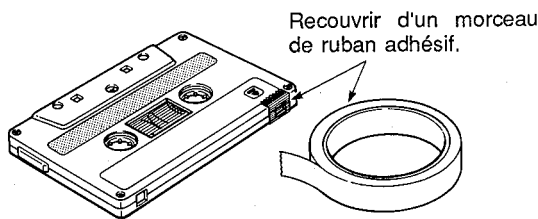
Pour prévenir tout effacement accidentel d'enregistrements précieux, toutes les cassettes sont pourvues de languettes de protection situées sur leur bord supérieur. Lorsqu'une de ces languettes est cassée, à l'aide d'un tournevis ou de tout autre outil approprié, il est impossible d'enregistrer sur la face correspondante de la bande. Ceci empêche tout effacement accidentel d'un enregistrement. Dans le cas d'un enregistrement à 4 pistes, il est nécessaire de casser les languettes de protection de la face A et de la face B de la bande.

Pour enregistrer sur une cassette dont les languettes de protection ont été cassées, recouvrir l'orifice (à la place des languettes) avec un morceau de ruban adhésif.

● PREVENTION CONTRE L'EFFACEMENT ACCIDENTEL D'UNE BANDE

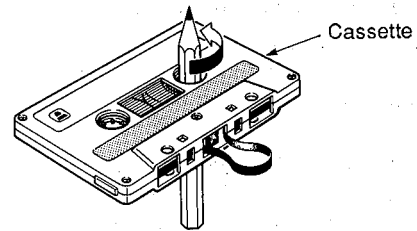


● ENREGISTREMENT SUR UNE CASSETTE DONT LES LANGUETTES ONT ETE CASSEES



● Reprise du mou d'une bande

Si une bande est utilisée alors qu'elle présente du mou, ou qu'un morceau de la bande est sorti de la cassette, la bande risque de s'enrouler autour du cabestan ou du galet-presseur. Afin d'empêcher cela, introduire un crayon ou un stylo à bille dans le centre d'une des bobines et le tourner pour reprendre le mou de la bande.



● Rangement des cassettes

Pour empêcher que la bande prenne du mou après l'utilisation, ranger les cassettes dans leurs boîtes. Ne pas ranger les cassettes en plein soleil, ou dans des endroits soumis à une humidité ou des températures excessives, car cela pourrait endommager la bande. Conserver également les bandes loin de toutes sources de champ magnétique, telles que récepteur de télévision, enceintes acoustiques, car les enregistrements pourraient être effacés ou quelque peu altérés.

METHODE D'ENREGISTREMENT

Pour les détails relatifs à l'exploitation des commandes du MT100II, se reporter à la page 29 "COMMANDES DU MT100II ET LEURS FONCTIONS".

Enregistrer au moyen du MT100II est une opération très simple. Il suffit d'avoir le MT100II, un casque d'écoute et un instrument ou un microphone, ou une autre source de signaux.

L'essentiel de la méthode d'enregistrement multipiste peut être résumé de la manière suivante:

1. Enregistrement de la première piste

- a) Sélection de l'assignation canal à piste pour la source d'entrée
- b) Réglage du niveau d'enregistrement
- c) Enregistrement

2. Surmixage des pistes restantes

- a) Assignation canal/piste pour chaque surmixage
- b) Réglage du niveau d'enregistrement de chaque surmixage
- c) Enregistrement des surmixages

3. Combinaison de piste

- a) Le cas échéant, utiliser la technique en ping-pong pour combiner les pistes et les nettoyer pour y effectuer des surmixages supplémentaires.

4. Mixdown

- a) Réglage en vue de l'écoute de contrôle du mixage
- b) Préparation d'un mixage approximatif et addition d'effets
- c) Préparation définitive et répétition du mixage
- d) Raccordement des prises STEREO OUT du MT100II à un magnétocassette stéréo
- e) Enregistrement (sur un magnétocassette stéréo à partir du MT100II)

Ces étapes (de même que la signification des termes d'enregistrement utilisés) seront expliquées en détail plus loin, aussi il est conseillé de lire les chapitres suivants dans l'ordre, afin de se faire une idée claire de la méthode d'enregistrement.

ENREGISTREMENT DE LA PREMIERE PISTE

ETAPE 1: ASSIGNATION CANAL/PISTE

La première étape de tout enregistrement est d'assigner le canal auquel l'instrument, ou autre source, est connecté à une des pistes de l'étage enregistreur.

Selon ce qui est enregistré, il peut s'avérer nécessaire d'enregistrer un seul instrument, ou autre source, sur une seule piste de la bande, ou de combiner plusieurs instruments, ou plusieurs autres sources, et de les enregistrer sur une même piste. Le MT100II offre deux méthodes "d'assignation canal/piste".

Assignation canal/piste directe

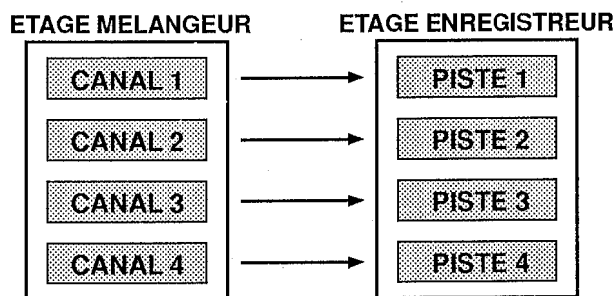
Avec cette méthode, les signaux de l'instrument ou de la source connecté à un des canaux de l'étage mélangeur sont appliqués directement à la piste de l'étage enregistreur ayant le même numéro. Il est possible de cette manière d'enregistrer une seule piste ou les quatre pistes simultanément. Avec cette méthode, une seule source d'entrée peut être enregistrées sur une seule piste.

Dans le cas d'assignation canal/piste directe, les sélecteurs REC SELECT sont réglés sur un "numéro" (1, 2, 3 ou 4). Par exemple, si le sélecteur REC SELECT du canal 1 est mis sur "1", les signaux du canal 1 seront directement transmis à la piste 1 de l'étage enregistreur. Il en est de même pour tous les autres canaux et pistes.

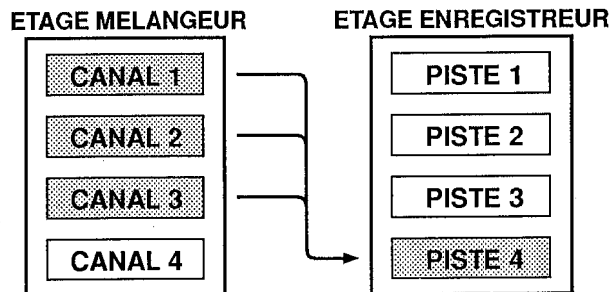
Assignation canal/piste panoramique

La méthode d'assignation canal/piste panoramique permet d'affecter plusieurs des canaux de l'étage mélangeur à une seule piste de l'étage enregistreur, ou un seul canal à une piste de numéro différent.

Chaque sélecteur REC SELECT est soit sur la position "L", soit sur la position "R". Ces positions correspondent aux canaux gauche (L) et droit (R) de la sortie de l'étage mélangeur. Si le sélecteur REC SELECT de la piste 1 est mis, par exemple, sur la position "L", la piste 1 va recevoir les signaux "balayés" vers la gauche. Par conséquent, il est possible d'assigner le canal 1 à la piste 4 en mettant le sélecteur REC SELECT du canal 4 sur "R" et la commande PAN du canal 1 à fond sur la position "RIGHT". En outre, les autres canaux dont la commande PAN est réglée sur "RIGHT" seront également enregistrés sur la piste 4 si les potentiomètres de ces canaux sont relevés. L'exemple d'assignation illustré ci-dessous est obtenu en mettant le sélecteur REC SELECT du canal 4 sur "R" et les commandes PAN des canaux 1, 2 et 3 à fond sur la position "RIGHT".



ASSIGNATION CANAL/PISTE DIRECTE



ASSIGNATION CANAL/PISTE PANORAMIQUE

ETAPE 2: PREPARATION DU SYSTEME D'ECOUTE DE CONTROLE

Une fois qu'une source est connectée à un canal d'entrée et que ce canal est assigné à une des pistes de l'étage enregistreur, il est nécessaire de préparer le système de monitoring qui permettra de contrôler la piste au fur et à mesure de l'enregistrement.

Le MT100II permet de contrôler les matériaux enregistrés par l'intermédiaire soit d'un casque d'écoute branché à la prise PHONES, soit d'un système de sonorisation avec enceintes connecté aux prises MONITOR OUT. Le niveau qui apparaît aux prises PHONES et MONITOR OUT est contrôlé par la commande MONOTOR/PHONES. Le sélecteur MONITOR SELECT possède trois positions qui permettent d'enregistrer uniquement des pistes (position MONITOR), des sources d'entrée (position STEREO), ou une combinaison (position MIX).

MONITOR: Dans cette position seule la sortie des quatre pistes de l'étage enregistreur est envoyée directement à la prise PHONES et aux prises MONITOR OUT via les quatre commandes MONITOR. Les commandes MONITOR sont utilisées pour préparer le "mixage" de monitoring. Ce réglage est idéal pour le monitoring général au cours de l'enregistrement, parce qu'il permet d'écouter les quatre pistes de bande tout en laissant les potentiomètres d'entrée disponibles pour acheminer les sources du signal à la bande. Les informations déjà enregistrées sur toute piste de la bande sont envoyées à la prise PHONES et aux prises MONITOR OUT par l'intermédiaire des commandes MONITOR correspondantes. Dans ce cas, une source d'entrée ne peut être entendue que lorsqu'elle est assignée à une piste par le sélecteur REC SELECT adéquat et que l'appareil soit en mode RECORD ou RECORD/PAUSE.

MIX: La sortie des quatre pistes de l'étage enregistreur (via les commandes MONITOR) et la sortie stéréo de l'étage mélangeur sont toutes deux transmises à la prise PHONES et aux prises MONITOR OUT.

STEREO: Seule la sortie stéréo de l'étage mélangeur est transmise à la prise PHONES et aux prises MONITOR OUT. Ce réglage est pratique pour effectuer le mixdown d'un enregistrement multipiste terminé, car il permet d'écouter le mixage produit par les potentiomètres d'entrée de l'étage mélangeur avec les effets ajoutés au moyen des commandes AUX SEND et AUX RETURN pendant la réalisation du mixage.

[Remarque] Des enceintes ne devraient pas être utilisées pour le monitoring lorsque l'enregistrement doit se faire par microphone, du fait que le son de contrôle sera piqué par le microphone ce qui gâchera l'enregistrement.

ETAPE 3: REGLAGE DES NIVEAUX D'ENREGISTREMENT

Le réglage de niveaux d'enregistrement optima est absolument essentiel pour obtenir un enregistrement dont la qualité sera la meilleure possible.

1. Veiller à ce qu'une cassette soit installée dans le compartiment et qu'elle est bobinée jusqu'au point à partir duquel l'enregistrement doit commencer. Il est conseillé d'appuyer sur la touche RESET pour remettre le compteur à "000", afin de pouvoir repérer automatiquement par la suite le début de l'enregistrement, en utilisant la fonction ZERO STOP.
2. Régler le potentiomètre d'entrée du canal à utiliser sur la position minimale ("0") et pousser la commande de gain MIC/LINE à fond vers "LINE".
3. Appuyer sur la touche RECORD. Ceci active le circuit d'enregistrement du MT100II et place l'appareil en mode RECORD/PAUSE. La bande ne bouge pas. Reproduire la source au niveau plus haut que celui auquel elle sera reproduite au cours de son enregistrement.
4. Régler le potentiomètre MASTER à "7" ou "8" et augmenter progressivement le réglage du potentiomètre d'entrée jusqu'à ce que la source puisse être entendue et que l'indicateur de crête à LED s'allume. Si la source est un instrument électrique (guitare ou basse) ou un microphone, il est possible qu'il soit nécessaire de faire coulisser la commande MIC/LINE vers la position MIC afin d'obtenir une lecture suffisamment élevée. Régler le potentiomètre d'entrée et la commande de gain MIC/LINE de manière à ce que la lecture de l'indicateur soit généralement entre "0" et "+3". Idéalement parlant, le potentiomètre d'entrée devrait être réglé à "7" ou "8" pour obtenir la lecture indiquée ci-dessus. Ceci a pour but d'assurer le rapport signal/bruit le meilleur possible tout en laissant une plage positive et négative suffisante pour effectuer les réglages ultérieurs. Si le réglage du potentiomètre est loin des valeurs préconisées, essayer d'utiliser la commande de volume de l'instrument ou autre source pour obtenir la lecture optimale avec le potentiomètre réglé entre "7" et "8". Lorsque tous les réglages ont été effectués, appuyer sur la touche STOP pour libérer l'état RECORD/PAUSE.

ETAPE 4: ENREGISTREMENT

Dès qu'une cassette a été installée, qu'un canal d'entrée a été assigné à une piste d'enregistrement, que les réglages de surveillance ont été vérifiés et que le réglage du niveau d'enregistrement optimum a été posé, il ne reste plus qu'à enregistrer.

[Remarque] Veiller à ce que la commande PITCH soit sur "OFF" (position centrale) pendant l'enregistrement de la première piste.

1. Appuyer sur la touche REC et ensuite sur la touche PLAY pour lancer l'enregistrement, attendre quelques secondes et commencer à jouer.
2. Lorsque l'enregistrement de la piste est terminé, appuyer sur la touche STOP, mettre le sélecteur REC SELECT de la piste qui vient d'être enregistrée sur "OFF", rembobiner la bande (la bande s'arrêtera automatiquement lorsque le compteur est à "999" si la commande ZERO STOP est sur "ON").
3. Lancer la lecture de l'enregistrement (appuyer sur la touche PLAY) et l'écouter pour vérifier que tout est bien comme prévu.

[Remarque] Si l'on envisage d'enregistrer avec des microphones et que l'on va surveiller dans le même local où les microphones sont installés, utiliser un casque d'écoute au cours de l'enregistrement. Si des enceintes acoustiques sont utilisées pour surveiller l'enregistrement, leur son peut revenir au microphone et détériorer la qualité de l'enregistrement.

SURMIXAGE

Le surmixage est un procédé qui consiste à enregistrer une nouvelle piste (ou plusieurs) tout en monitorant les pistes déjà enregistrées. En cas d'enregistrement sur quatre pistes, il est possible de surmixer sans problème la deuxième, la troisième et la quatrième pistes. Par contre, en cas d'utilisation de la technique d'enregistrement en "ping-pong" en vue d'enregistrer sur plus de quatre pistes, n'enregistrer que trois pistes et passer ensuite à l'étape en ping-pong (voir "ENREGISTREMENT EN PING-PONG" à la page 41).

1. Connecter l'instrument ou autre source à enregistrer à une entrée de canal disponible.
2. S'assurer que les sélecteurs REC SELECT des pistes déjà enregistrées sont sur la position "OFF" afin qu'elles ne puissent pas être effacées lors de l'enregistrement de la nouvelle piste.
3. Faire l'assignation canal/piste pour la nouvelle piste.
4. Vérifier les réglages de monitoring pour s'assurer qu'il sera possible de contrôler aussi bien la piste (ou les pistes) déjà enregistrée que la nouvelle piste à enregistrer (le sélecteur MONITOR SELECT doit normalement être sur la position MONITOR).
5. Régler le niveau d'enregistrement de la nouvelle piste.
6. Il est possible maintenant de "répéter" le surmixage sans l'enregistrer en lançant la lecture des pistes déjà enregistrées et en jouant le nouveau morceau. Quand la commande MONITOR est sur la position MONITOR, il est impossible d'écouter la source d'entrée, sauf si le MT100II se trouve en mode RECORD ou RECORD/PAUSE. Si l'on n'est pas prêt à enregistrer le surmixage et que l'on veut écouter la nouvelle entrée avec les pistes précédemment enregistrées, placer la commande MONITOR sur la position MIX.
7. Rembobiner la bande jusqu'au début du morceau et commencer à enregistrer.

Les mêmes étapes sont à refaire pour le surmixage des pistes 3 et 4.

ENREGISTREMENT EN PING-PONG

L'enregistrement en ping-pong est une technique permettant d'enregistrer plus de 4 parties avec une machine à 4 pistes. Cette opération s'accomplit en ré-enregistrant un mélange des pistes existantes sur une nouvelle piste. Dès que ces pistes ont été combinées de cette manière, les pistes originales peuvent être effacées, pour faire place à de nouveaux surmixages.

L'enregistrement en ping-pong permet, par exemple, d'enregistrer sur les pistes 1, 2 et 3 et de réenregistrer ces pistes sur la piste 4 en utilisant les commandes de mixage pour régler l'équilibre entre les 3 pistes d'origine. La piste 4 contient alors un "mixage" des 3 pistes et les pistes 1, 2 et 3 sont disponibles pour effectuer de nouveaux enregistrements. Ceci est déjà l'équivalent de 6 "pistes" sur un enregistreur à 4 pistes. Pendant le mixage des 3 premières pistes dans la piste 4, il est également possible d'ajouter un instrument via l'étage mélangeur du MT100II. Ceci permet d'avoir 4 parties enregistrées sur la piste 4 de la bande. Avec les 3 autres pistes toujours disponibles pour l'enregistrement cela donne un total de 7 pistes. Si maintenant on n'enregistre que 2 des pistes restantes et qu'on les enregistre en "ping-pong" sur la piste 3 tout en ajoutant un autre instrument, on obtient alors 4 parties sur la piste 4, 3 parties sur la piste 3, plus 2 pistes disponibles; soit un total de 9. En appliquant toujours cette méthode, il est en fait possible d'enregistrer jusqu'à 10 pistes individuelles sans réenregistrer une seule piste plus d'une fois (voir l'illustration).

[Remarque] La réalisation de l'enregistrement en ping-pong est une étape difficile car les pistes en faisant l'objet doivent être parfaitement mélangées avant de pouvoir passer à l'enregistrement des pistes suivantes. Ceci est dû au fait qu'une fois le ping-pong réalisé et le nouveau matériau enregistré sur les pistes d'origine, leur équilibre et leur son individuels ne peuvent plus être modifiés à moins de revenir en arrière et de recommencer à zéro l'enregistrement de ces pistes.

[Remarque] Il est recommandé d'enregistrer à la vitesse de 9,5 cm/sec. et avec le système dbx enclenché si l'on envisage de combiner les pistes par la technique ping-pong. Dans certaines conditions, le fait d'utiliser la vitesse de 4,8 cm/sec. avec le système de réduction de bruit libéré peut provoquer une réaction acoustique quand une piste précédemment enregistrée est ré-enregistrée sur une piste adjacente.

[Remarque] La technique d'enregistrement en ping-pong exige que les multipistes soient dirigées vers la bande par les commandes PAN. Se souvenir qu'un signal qui apparaît à la prise AUX RETURN sera aussi ajoutée aux pistes enregistrées ou manipulées en ping-pong. Pour éviter d'enregistrer un effet, placer le potentiomètre AUX RETURN sur "0" (coupé).

EXEMPLE: Enregistrement des pistes "1" à "10" par la technique en ping-pong.

	Enregistrer les parties 1, 2 et 3.	Enregistrer en ping-pong les pistes 1, 2 et 3 sur la piste 4 tout en ajoutant la partie 4.	Enregistrer les parties 5 et 6.	Enregistrer en ping-pong les pistes 5 et 6 sur la piste 3 tout en ajoutant la partie 7.	Enregistrer la partie 8.	Déplacer 8 sur la piste 2 tout en ajoutant la partie 9.	Enregistrer 10, la dernière partie.
PISTE 1	1		5		8	8 + 9	10
PISTE 2	2		6			5, 6 + 7	8 + 9
PISTE 3	3			5, 6 + 7	5, 6 + 7	1, 2, 3 + 4	5, 6 + 7
PISTE 4		1, 2, 3 + 4	1, 2, 3 + 4	1, 2, 3 + 4	1, 2, 3 + 4		1, 2, 3 + 4

EXEMPLE D'UN ENREGISTREMENT EN PING-PONG

Ci-dessous est un exemple de la manière de procéder pour réenregistrer en ping-pong sur la piste 4 les matériaux déjà enregistrés sur les pistes 1, 2 et 3.

Les commandes doivent être réglées de la manière suivante:

•Sélecteurs INPUT SELECT

Mettre les sélecteurs INPUT SELECT des canaux 1, 2 et 3 sur la position TAPE et celui du canal 4 sur la position OFF.

•Potentiomètres d'entrée

Commencer par régler les potentiomètres des canaux 1 à 3 à "7" environ et régler le potentiomètre MASTER à "0".

•Sélecteurs REC SELECT

Les sélecteurs REC SELECT des canaux 1 à 3 doivent être sur la position "OFF" et celui du canal 4 doit être sur "R".

•Commandes AUX SEND

Régler pour le moment les quatre commandes AUX SEND sur la position MIN.

•Interrupteur EQ

Le laisser commuté sur OFF pour le moment.

•Commandes PAN

Du fait que le sélecteur REC SELECT du canal 4 est réglé sur "R", les commandes PAN des canaux 1 à 3 doivent être tournées à fond dans le sens des aiguilles d'une montre (droite) pour assigner les signaux des pistes 1, 2 et 3 à la piste 4 de la bande. La commande PAN du canal 4 peut être réglée à la position centrale.

•Commande AUX RETURN

La régler pour le moment sur MIN.

•Sélecteur MONITOR SELECT

Le régler sur MIX afin de n'entendre que les signaux de l'étage enregistreur du MT100II.

•Commandes MONITOR

Tourner les commandes MONITOR des canaux 1 à 3 à fond dans le sens contraire des aiguilles d'une montre et mettre celle du canal 4 à la position centrale ou à la position donnant le meilleur niveau de contrôle.

1. Lancer la lecture de la bande. Augmenter progressivement le réglage du potentiomètre MASTER jusqu'à ce qu'il soit possible d'entendre les pistes qui viennent d'être enregistrées et que la lecture de l'indicateur du canal 4 soit aux alentours de "0" sur l'échelle. Régler la commande MONITOR 4 de manière à avoir un niveau de contrôle confortable.
2. Régler les potentiomètres des canaux 1, 2 et 3, en faisant très attention, de manière à obtenir l'équilibre voulu entre les trois premières pistes. A noter que pendant le réglage de l'équilibre entre les pistes, la lecture de l'indicateur 4 peut fluctuer considérablement. Il sera nécessaire de compenser cela lors des réglages du mixage de ping-pong à l'aide du potentiomètre MASTER.
3. A cette étape, l'interrupteur EQ peut être commuté sur ON pour rehausser la qualité sonore des pistes au fur et à mesure qu'elles sont combinées.
4. Les commandes AUX SEND des canaux peuvent servir à ajouter un effet à l'équilibre. la quantité d'effet ajouté est contrôlée par le potentiomètre AUX RETURN.
5. Lorsque tous les réglages ont été correctement effectués, rembobiner la bande jusqu'au début et lancer l'enregistrement. Attendre que l'enregistrement en ping-pong soit terminé, puis arrêter l'enregistreur. Lancer la lecture de la bande et écouter attentivement la piste qui vient de faire l'objet du ping-pong. Si quelque chose ne semble pas correct, revenir en arrière et recommencer l'enregistrement en ping-pong. Il est possible de recommencer autant de fois que nécessaire jusqu'à ce que les résultats obtenus soient parfaits, passer ensuite à l'étape suivante.
6. Surmixer et procéder, si nécessaire, à l'enregistrement en ping-pong des pistes restantes.

[Remarque] Une seule sortie (gauche ou droite) de l'effet sera enregistrée. Si le sélecteur RECORD SELECT est réglé sur "L", la sortie du processeur d'effet raccordé à la prise AUX RETURN L sera enregistrée. Par contre, si ce sélecteur est réglé sur "R", la sortie du processeur d'effet raccordé à la prise AUX RETURN R sera enregistrée.

MIXDOWN

Le "mixdown" est la dernière étape du processus d'enregistrement au cours de laquelle il est possible de mélanger et polir les sons pour créer le produit final. Un "mélange" est obtenu en équilibrant de manière précise les quatre pistes afin d'obtenir le son correct. Cet équilibrage définitif est atteint en utilisant la section mélangeur du MT100II et en la réenregistrant sur une piste stéréo conventionnelle. Les pistes peuvent être progressivement affaiblies ou accentuées, si besoin est, et une égalisation ou une réverbération d'ensemble peut être ajoutée en utilisant un processeur de signaux externe ou l'égaliseur graphique à 5 gammes du MT100II. Les commandes PAN de l'étage mélangeur peuvent être utilisées pour positionner chaque piste à l'emplacement voulu dans l'image stéréo et il est même possible de balayer un son d'un canal à l'autre afin de créer un effet dramatique.

Les commandes doivent être réglées de la manière suivante:

•Sélecteurs INPUT SELECT

Mettre tous les sélecteurs INPUT SELECT sur la position TAPE.

•Potentiomètres d'entrée

Régler tous les canaux à "0" (minimum).

•Sélecteurs REC SELECT

Tous les sélecteurs REC SELECT doivent être sur la position "OFF".

•Commandes AUX SEND

Régler pour le moment les quatre commandes AUX SEND sur la position MIN.

•Interrupteur EQ

Le laisser commuté sur OFF pour le moment.

•Commandes PAN

Commencer avec toutes les commandes PAN réglées à la position centrale.

•Potentiomètre MASTER

Le régler à "7" ou "8".

•Commande AUX RETURN

La régler pour le moment sur MIN.

•Sélecteur MONITOR SELECT

Si l'on veut surveiller le même signal qui apparaît aux prises STEREO OUT, le régler sur STEREO. Nous préconisons l'utilisation d'un système de sonorisation externe ou d'une paire d'enceintes de monitoring indépendantes (comme par exemple le système d'enceinte de monitoring YAMAHA MS101) pour effectuer le mixdown.

•Commandes MONITOR

Tourner toutes les commandes MONITOR à fond dans le sens contraire des aiguilles d'une montre.

•Sélecteur METER

STEREO

•Interrupteur dbx

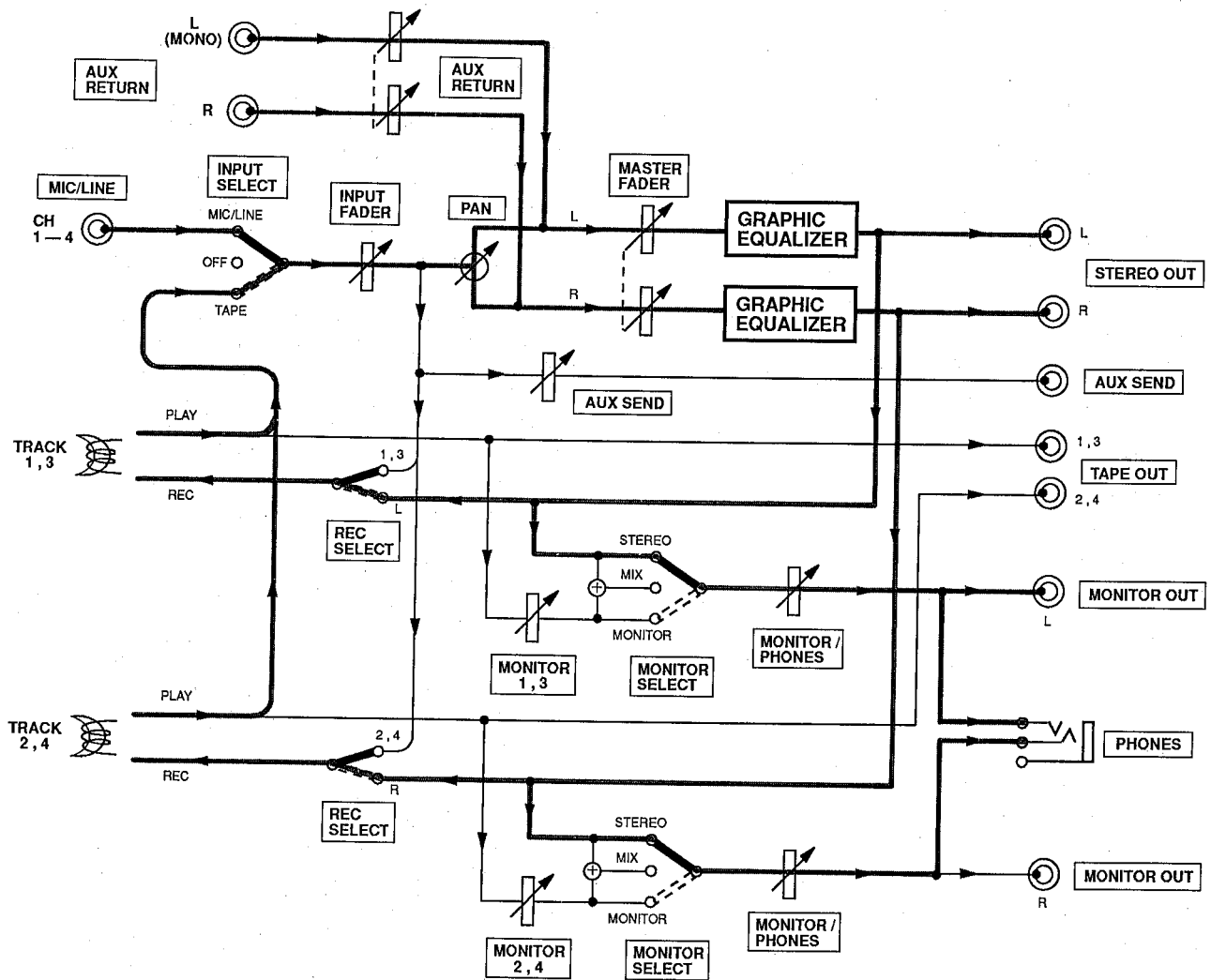
Si l'enregistrement a été commencé avec l'interrupteur dbx sur "ON" le laisser sur "ON". S'il était sur "OFF", le laisser sur "OFF".

1. Choisir une position d'écoute centrale confortable faisant face aux enceintes de monitoring.
2. Ecouter, évaluer et régler individuellement le son de chaque piste. Ceci signifie augmenter le cas échéant le réglage du potentiomètre d'une seule piste ou ajouter des effets ou autres traitements de signaux et recommencer le même processus pour chacune des pistes jusqu'à ce que toutes les pistes aient été soigneusement contrôlées. L'égaliseur graphique à 5 bandes du MT100II peut être utilisé pour ajouter ou enlever un composant de basse, moyenne ou haute fréquence du mélange général, ce qui permet de créer une combinaison des pistes plus cohérente et plus polyvalente. Si un dispositif externe de traitement des signaux, comme par exemple le processeur d'effets multiples YAMAHA FX500, est connecté aux prises AUX SEND/RETURN de la manière décrite au chapitre suivant (UTILISATION DE LA BOUCLE TRANSMISSION/RETOUR), il suffit de sélectionner l'effet voulu sur le processeur de signaux et de l'ajouter à chaque piste en utilisant les commandes AUX SEND. La commande AUX RETURN doit également être réglée à un niveau approprié.
3. Lorsque chaque piste a été individuellement contrôlée, mettre tous les potentiomètres d'entrée à "7" ou "8" et lancer la lecture de la bande. Régler les potentiomètres de manière à obtenir le meilleur équilibre d'ensemble possible. Régler maintenant les commandes PAN afin de placer chaque piste sur la position voulue dans le champ sonore stéréo. Ecouter à nouveau très attentivement: y a-t-il trop ou pas assez de réverbération sur une piste? Régler à nouveau les commandes AUX SEND pour obtenir l'effet recherché. L'équilibre n'est pas parfait? Régler jusqu'à ce qu'il soit satisfaisant. Nous préconisons également de répéter les affaiblissements ou effets pan éventuellement prévus pour l'enregistrement du mixage.
4. Lorsque tout est en ordre, passer aux préparations en vue de l'enregistrement. Connecter les prises STEREO OUT du MT100II aux entrées d'un magnétocassette stéréo. Utiliser les commandes de réglage de niveau d'enregistrement du magnétocassette stéréo et, le cas échéant, le potentiomètre MASTER du MT100II pour obtenir le niveau d'enregistrement optimal. Une fois cela effectué, lancer l'enregistrement. Le potentiomètre MASTER du MT100II peut également être utilisé pour ajouter un affaiblissement progressif à la fin du morceau.

UTILISATION DE L'ÉGALISEUR GRAPHIQUE

Le MT100II possède un égaliseur graphique à 5 gammes incorporé. Comme l'illustre le schéma de principe, les signaux assignés aux canaux gauche et droit par la commande PAN et le niveau ajusté par le potentiomètre MASTER sont envoyés à l'égaliseur. Par conséquent, il peut être utilisé pendant l'enregistrement ping-pong, l'opération de mélange et pendant l'enregistrement avec la commande REC SELECT réglée sur "L" (gauche) ou "R" (droit). Il est cependant impossible d'employer l'égaliseur quand la commande REC SELECT est réglée sur "1 - 4", du fait que chaque signal de canal est enregistré directement sur la piste adéquate.

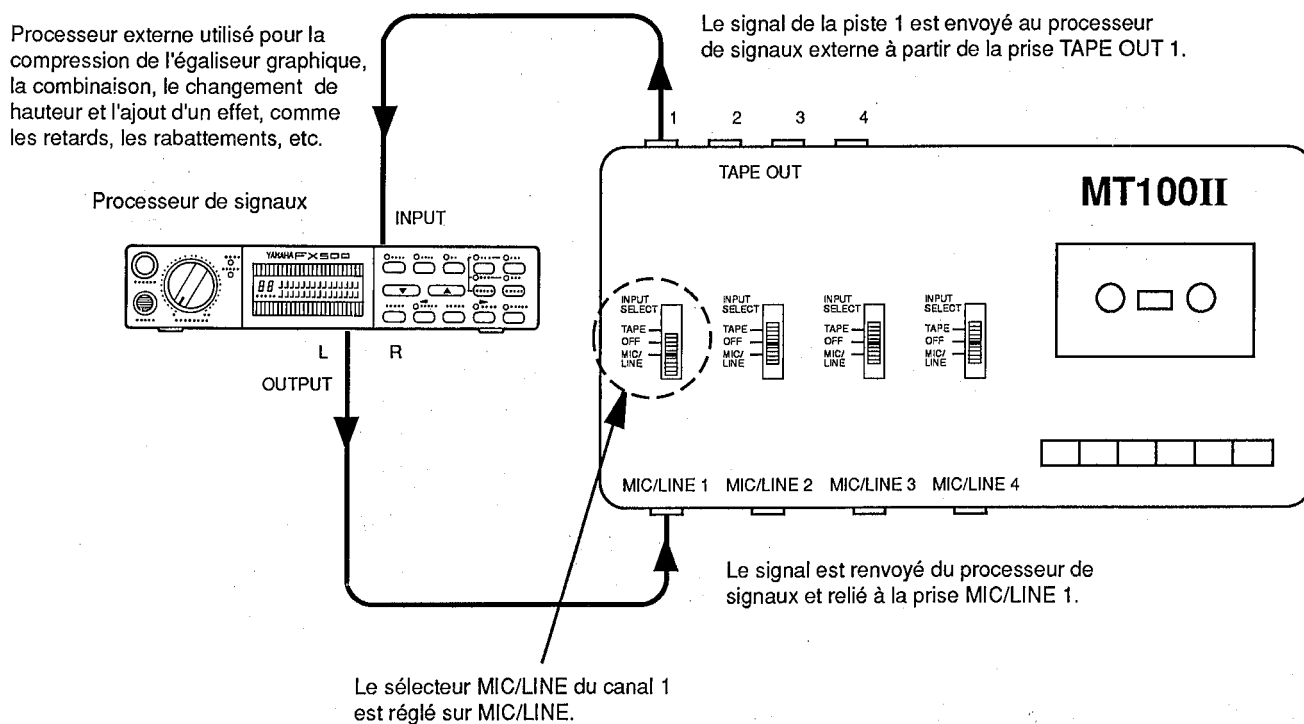
L'égaliseur graphique n'affecte que les voies des signaux soulignées en gras sur le schéma ci-dessous.



UTILISATION DES PRISES DE SORTIE DE BANDE

Les prises de sortie de bande peuvent être utilisées pour envoyer les sorties de bande à un mixeur externe. Au cours du mélange, les pistes individuelles peuvent être traitées à l'aide d'un processeur de signal qui reçoit un signal en provenance des prises TAPE OUT et dont la sortie est renvoyée à la prise INPUT d'un canal. Voir le schéma ci-dessous.

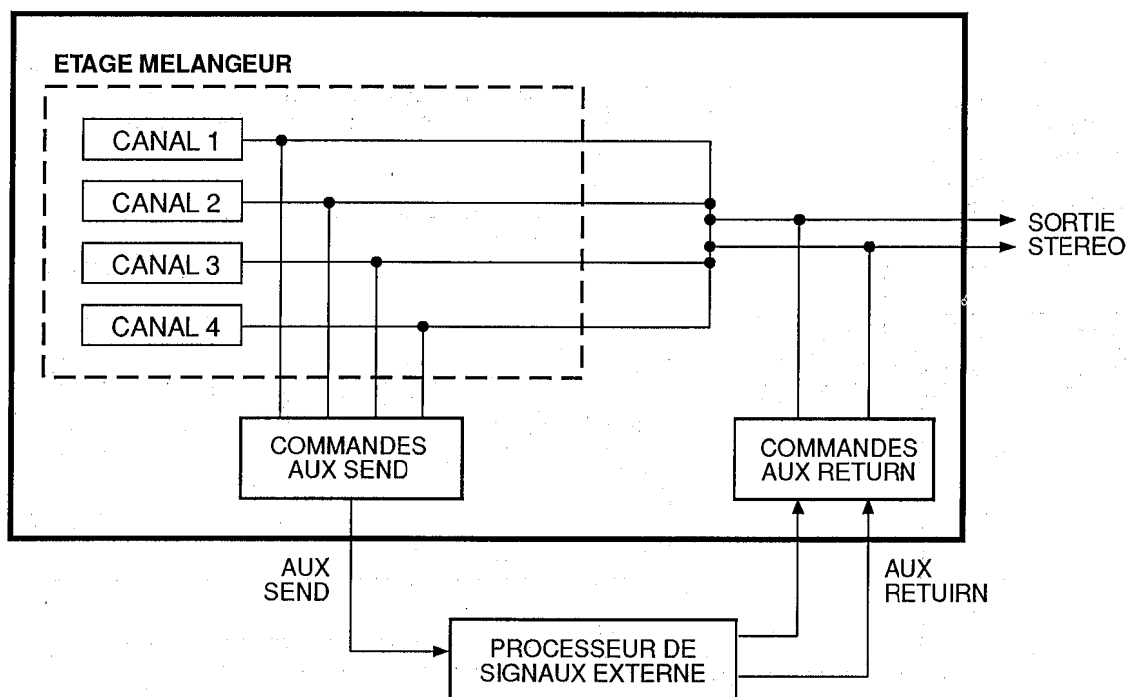
Traitement des pistes individuelles en mixdown à l'aide des prises TAPE OUT



UTILISATION DE LA BOUCLE TRANSMISSION/RETOUR

Les commandes AUX SEND du MT100II fonctionnent comme un mélangeur auxiliaire dont les signaux d'entrée proviennent des quatre canaux de l'étage mélangeur et qui combine ces signaux en un signal mono sorti via la prise AUX SEND (voir le schéma suivant). Il est possible d'utiliser les commandes AUX SEND pour créer un "mixage avec effet", entièrement indépendant du mixage principal, en ajoutant le degré d'effet requis aux signaux de chaque canal. Le signal AUX SEND est transmis à l'entrée d'un processeur de signaux externe (reverb, écho ou autre), alors que la sortie du processeur de signaux est renvoyée à la prise AUX RETURN. Le niveau du signal reçu par la prise AUX RETURN peut être réglé à l'aide de la commande AUX RETURN et le signal obtenu est mélangé au signal de sortie stéréo principal du MT100II.

Du fait que le signal de retour avec effet est mélangé au signal de sortie stéréo de l'étage mélangeur, la boucle AUX SEND/RETURN peut être utilisée dans un mélange pour ajouter un effet aux pistes, lorsqu'elles sont enregistrées. Dans ce cas, les pistes doivent être assignées à la bande qui utilise la méthode d'assignation canal/piste panoramique (voir page 37).



[Remarque] Du fait que la boucle AUX SEND/RETURN renvoie le signal avec effet aux sorties stéréo de l'étage mélangeur, des effets peuvent être ajoutés aux canaux pendant l'enregistrement en ping-pong, à condition d'avoir utilisé la méthode d'assignation canal/piste panoramique. La boucle AUX SEND/RETURN ne peut pas être utilisée pour ajouter des effets pendant l'enregistrement de pistes ayant été assignées par la méthode d'assignation canal/piste directe.

ENREGISTREMENT PUNCH-IN/PUNCH-OUT

L'enregistrement "punch-in/punch-out" permet de réenregistrer un segment court sur une piste dans le but de corriger une erreur ou de "retoucher" un passage important. Le "punch-in" se fait au point de départ de l'enregistrement du nouveau segment et le "punch-out" à la fin, de sorte que les matériaux précédemment enregistrés ne sont pas effacés.

Punch-in/punch-out au moyen des sélecteurs REC SELECT

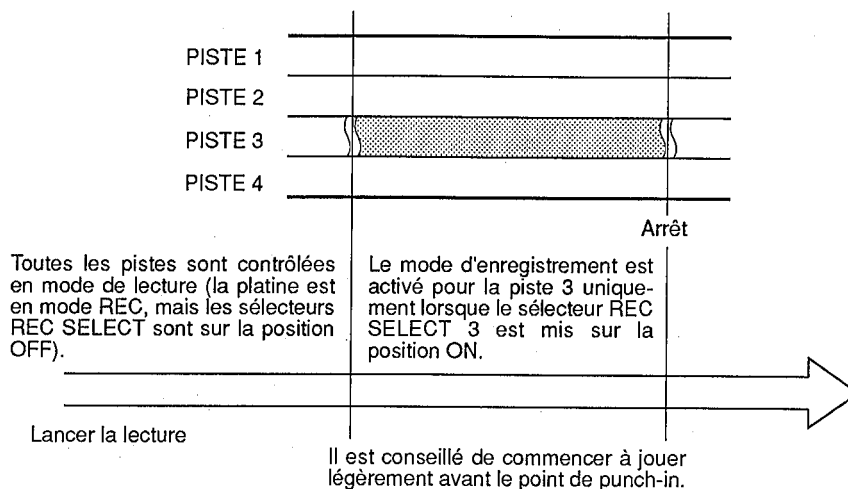
1. Mettre tous les sélecteurs REC SELECT sur OFF, placer la platine en mode prêt à l'enregistrement, quelques mesures avant le début du segment à réenregistrer, en appuyant d'abord sur la touche REC et ensuite sur la touche PLAY et en mettant tous les sélecteurs REC SELECT sur la position OFF. Le témoin à LED rouge REC clignote pour indiquer que la platine est en mode prêt à l'enregistrement. Le sélecteur MONITOR SELECT doit être mis sur MONITOR afin de pouvoir écouter toutes les pistes.
2. Choisir une interruption qui convienne dans la piste à corriger pour la passer au mode enregistrement (le punch-in se fait en mettant le sélecteur REC SELECT de cette piste sur la position d'enregistrement appropriée) et commencer à jouer le nouveau segment à enregistrer. Le témoin à LED rouge REC restera allumé continuellement dès que le sélecteur REC SELECT est mis sur la position d'enregistrement.
3. A la fin du segment réenregistré, remettre la piste en mode de lecture (le punch-out se fait en remettant le sélecteur REC SELECT de cette piste sur la position "OFF"). Le témoin à LED rouge REC recommencera alors à clignoter.

Punch-in/punch-out par pédale

1. Connecter une pédale YAMAHA FS-1 (en option) à la prise PUNCH I/O du MT100II.
2. Mettre le sélecteur REC SÉLECT de la piste concernée sur la position d'enregistrement appropriée et appuyer sur la touche REC pour activer le mode REC/PAUSE. Le témoin à LED rouge REC devrait se mettre à clignoter au lieu de rester allumé continuellement. Si le témoin rouge REC reste continuellement allumé, appuyer une fois sur la pédale pour le faire clignoter. Si le témoin rouge REC reste continuellement allumé, appuyer une fois sur la pédale pour le faire clignoter.

ATTENTION: A L'EMPLOI D'UNE PEDALE, VEILLER [CE QUE LE TEMOIN A LED ROUGE CLIGNOTE AVANT DE PLACER L'APPAREIL EN MODE D'ENREGISTREMENT, AFIN D'EVITER TOUT EFFACEMENT ACCIDENTEL DES INFORMATIONS EXISTANTES. NE ENCLANCHER LA TOUCHE REC NI PLAY.

3. Appuyer sur la touche PLAY pour mettre la platine en mode prêt à l'enregistrement.
4. Appuyer sur la pédale pour faire le punch-in. Le témoin à LED rouge REC reste alors allumé continuellement.
5. Appuyer sur la pédale une deuxième fois pour faire le punch-out. Le témoin à LED rouge REC recommencera alors à clignoter.

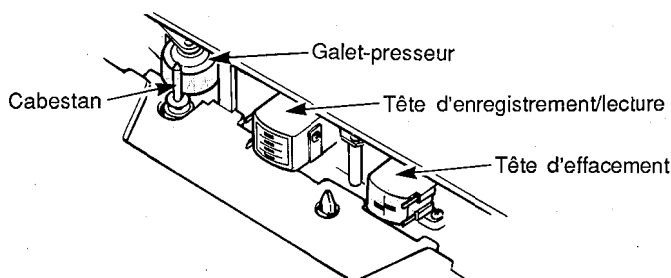


ENTRETIEN

La tête d'enregistrement et lecture du MT100II est un organe de grande précision qui a été fabriqué avec de très faibles tolérances afin de permettre un enregistrement sur 4 pistes de haute qualité. Des performances optimales ne pourront être obtenues que si la surface des têtes est toujours immaculée. Le nettoyage doit être effectué régulièrement: au minimum toutes les 10 heures de fonctionnement. Des têtes sales peuvent être à l'origine de l'un ou de plusieurs des problèmes suivants:

- Enregistrement, lecture et effacement impossibles
- Niveau sonore de lecture réduit
- Fluctuation et/ou distorsion du son
- Bruit excessif
- Chute du niveau à hautes fréquences

Si l'un de ces problèmes se produit, nettoyer les têtes avec soin avant de présumer que l'appareil est défectueux. Utiliser un kit de nettoyage pour têtes disponible dans le commerce (lire attentivement les instructions données sur le mode d'emploi du kit), ou nettoyer les têtes avec un chiffon ou un morceau de coton légèrement imbibé d'alcool de nettoyage. Nettoyer le cabestan et le galet-presseur en même temps que les têtes.



* Nettoyer les parties ombrées

SPECIFICATIONS

TRANSPORT DE LA BANDE

Type de bande	<i>Chrome (70 microsec EQ)</i>
Têtes	<i>Tête lecture/enregistrement en permalloy 4 canaux Tête d'effacement en ferrite 4 canaux</i>
Vitesse de défilement	<i>4,8 cm/sec., 9,5 cm/sec.</i>
Réglage de vitesse	<i>± 10%</i>
Pleurage et scintillement	<i>Moins de 0,15% Weff</i>
Durée de rembobinement	<i>Environ 100 sec, pour une bande C-60</i>
Moteur	<i>Servo-moteurs CC (2)</i>

CONNECTEURS

Input 1 à 4	Impédance d'entrée	<i>10 kohms</i>
	Niveau d'entrée nominal	<i>-10dB à -50dB (potentiomètre nominal)</i>
	Niveau d'entrée maxi.	<i>+10dB (gain mini.)</i>
	Niveau d'entrée mini.	<i>-56dB (gain, potentiomètre maxi)</i>
AUX RETURN L & R	Impédance d'entrée	<i>10 kohms</i>
	Niveau d'entrée nominal	<i>-10dB (potentiomètre nominal)</i>
	Niveau d'entrée mini.	<i>-16dB (potentiomètre maxi)</i>
STEREO OUT L & R	Impédance de sortie	<i>1 kohm</i>
	Impédance de charge	<i>Supérieure à 10 kohms</i>
	Niveau de sortie nominal	<i>-10dB sur 50 kohms</i>
PHONES	Impédance de charge	<i>8 à 40 ohms</i>
	Niveau de sortie maxi.	<i>45mW + 45mW/40 ohms</i>
TAPE OUT 1 à 4	Impédance de sortie	<i>1 kohm</i>
	Impédance de charge	<i>Supérieure à 10 kohms</i>
	Niveau de sortie nominal	<i>-10dB sur 50 kohms</i>
AUX SEND	Impédance de sortie	<i>1 kohm</i>
	Impédance de charge	<i>Supérieure à 10 kohms</i>
	Niveau de sortie nominal	<i>-10dB sur 50 kohms</i>
MONITOR OUT	Impédance de sortie	<i>1 kohm</i>
	Impédance de charge	<i>Supérieure à 10 kohms</i>
	Niveau de sortie nominal	<i>-10dB sur 50 kohms</i>

SPECIFICATIONS ELECTRIQUES

Réponse en fréquence	<i>50 Hz à 18 kHz, +3 dB/-6 dB à 9,5 cm/sec. 50 Hz à 12,5 kHz, +3 dB/-6 dB à 4,8 cm/sec.</i>
Rapport Signal/Bruit	<i>85 dB, dbx ON, IHF-A</i>
Distorsion	<i>1,5%, 315 Hz, dbx on, -10 dB Rec. Level</i>
Séparation entre canaux	<i>Plus de 55 dB à 1 kHz, dbx on</i>
Taux d'effacement	<i>Plus de 70 dB à 1 kHz, dbx on</i>
Réduction de bruit	<i>dbx*</i>
Egaliseur Graphique	<i>100, 400, 1k, 5k, 10kHz (± 10 dB), Q = 0,7</i>

SPECIFICATIONS GENERALES

Alimentation secteur	<i>Modèles US et Canada: 120V CA, 60 Hz</i>
(Adaptateur secteur PA100)	<i>Autres modèles: 220/240V CA, 50/60 Hz</i>
Dimensions (LxHxP)	<i>400x 76 x 212 mm</i>
Poids	<i>2,0 kg</i>

* *dbx est une marque de fabrique de "dbx incorporated"*

0dB=0.775 Vr.m.s.

Toutes les spécifications sont susceptibles d'être modifiées sans aucun avis préalable.

MEHRSPUR-KASSETTENDECK

MT100II

BEDIENUNGSANLEITUNG

Bescheinigung des Importeurs

Hiermit wird bescheinigt, daß der / die / das

Multitrack Cassette Recorder Typ : MT100II

(Gerät, Typ, Bezeichnung)

in Übereinstimmung mit den Bestimmungen der

VERFÜGUNG 1046/84

(Amtsblattverfügung)

funkentstört ist.

Der Deutschen Bundespost wurde das Inverkehrbringen dieses Gerätes angezeigt und die Berechtigung zur Überprüfung der Serie auf Einhaltung der Bestimmungen eingeräumt.

Yamaha Europa GmbH

Name des Importeurs

HERZLICHEN GLÜCKWUNSCH

und vielen Dank für den Kauf des Mehrspur-Kassetendecks MT100II, dem vielseitigen, kreativen Werkzeug zum Aufnehmen, Schneiden, Editieren und Wiedergeben von Klangmaterial. Dieses Mehrspur-Kassetendeck besticht durch seine einfache Bedienung und seine praxisbezogenen Funktionen. Ob Mikrofonaufnahmen von akustischen Instrumenten oder Gesang, ob Aufzeichnungen von elektronischen Instrumenten und Tonquellen über die Direkteingänge, oder Kombination solch unterschiedlicher Aufnahmearten, das MT100II vereinfacht das Musikschaffen gewaltig. Sie können damit vier verschiedene Spuren gleichzeitig aufzeichnen und miteinander abmischen, oder aber mit Hilfe der Pingpong-Mehrspurtechnik bis zu 10 verschiedene Stimmen aufzeichnen, eine nach der anderen, bis Sie das erwünschte Arrangement haben. Genauso einfach kann das MT100II mit einer Band eingesetzt werden. Und da das MT100II aus dem Hause YAMAHA kommt, sind überragende Klangqualität und Leistung natürlich Ehrensache. Um die vielseitigen Funktionen des MT100II und sein Potential voll ausschöpfen zu können, sollten Sie diese Anleitung aufmerksam durchlesen und sie zur späteren Bezugnahme sorgfältig aufbewahren.

INHALT

VORSICHTSMASSNAHMEN	53
BEDIENELEMENTE UND ANSCHLÜSSE	54
ANSCHLUSSBEISPIELE	60
ÜBER DEN UMGANG MIT KASSETTEN	61
AUFNAHME	62
AUFNAHME AUF DIE ERSTE SPUR	63
SCHRITT 1: KANAL/SPURZUWEISUNG	63
SCHRITT 2: AUFNAHMEÜBERWACHUNG	64
SCHRITT 3: AUSSTEUERN DER AUFNAHMEPEGEL	65
SCHRITT 4: AUFNAHME	65
WEITERE SPURAUFNAMMEN (OVERDUBBING)	66
PINGPONG-AUFNAHME (SPURMISCHAUFNAHME)	67
BEISPIEL FÜR EINE PINGPONG-AUFNAHME	68
MASTERMISCHUNG (STEREO-ABMISCHUNG)	69
VERWENDUNG DES GRAPHISCHEN EQUALIZERS	70
VERWENDUNG DER TAPE OUT-BUCHSEN	71
VERWENDUNG DER AUX SEND/RETURN-SCHLEIFE	72
PUNCH-IN/OUT-AUFNAHME (EINFÜGAUFNAHME)	73
WARTUNG	74
TECHNISCHE DATEN	75
BLOCKDIAGRAMM	77

VORSICHTSMASSNAHMEN

1. VOR DIREKTER SONNENEINSTRALUNG, HITZE, FEUCHTIGKEIT, STAUB UND VIBRATION SCHÜTZEN.

Das Gerät niemals an Orten aufstellen, wo es übermäßigem Staub, Feuchtigkeit oder hohen Temperaturen (z.B. in der Nähe von Heizkörpern oder Öfen) ausgesetzt ist. Ebenso Stellen vermeiden, an denen starke Vibrationen auftreten (Gefahr mechanischer Schäden am Gerät).

2. VOR STOSS SCHÜTZEN.

Starke Stöße können zu Schäden am Gerät führen. Daher das Gerät stets mit der gebotenen Umsicht behandeln.

3. KEINESFALLS DAS GERÄT ÖFFNEN ODER EIGENHÄNDIG REPARATUREN SOWIE VERÄNDERUNGEN VORNEHMEN.

Das MT100II enthält keine vom Laien zu wartenden Teile. Sämtliche Wartungs- und Reparaturarbeiten nur von qualifizierten YAMAHA-Kundendiensttechnikern ausführen lassen. Das Öffnen des Gehäuses und/oder Änderungen an internen Schaltkreisen bewirkt Garantieverlust.

4. VOR DEM ANSCHLIESSEN ODER ABTRENNEN VON KABELN DAS GERÄT AUSSCHALTEN.

Das Gerät stets vor dem Anschließen oder Abtrennen von Kabeln ausschalten, um das MT100II selbst sowie die angeschlossenen Geräte vor möglichen Schäden durch plötzliche Schaltimpulse zu bewahren.

5. KABEL VORSICHTIG BEHANDELN.

Zum Anschließen und Abtrennen die Kabel — auch das Netzkabel — stets an den Steckern anfassen.

6. MIT EINEM WEICHEN UND TROCKENEN TUCH REINIGEN.

Zur Reinigung des Geräts keinesfalls Benzin oder Verdünner, sondern ein weiches, trockenes Tuch verwenden.

7. STETS AUF KORREKTE NETZSPANNUNG ACHTEN.

Das MT100II nur mit dem beiliegenden YAMAHA Netzadapter PA100 betreiben. Andere Netzadapter können irreparable Schäden am MT100II verursachen.

8. KÖPFE UND BANDTRANSPORTWEG REGELMÄSSIG REINIGEN.

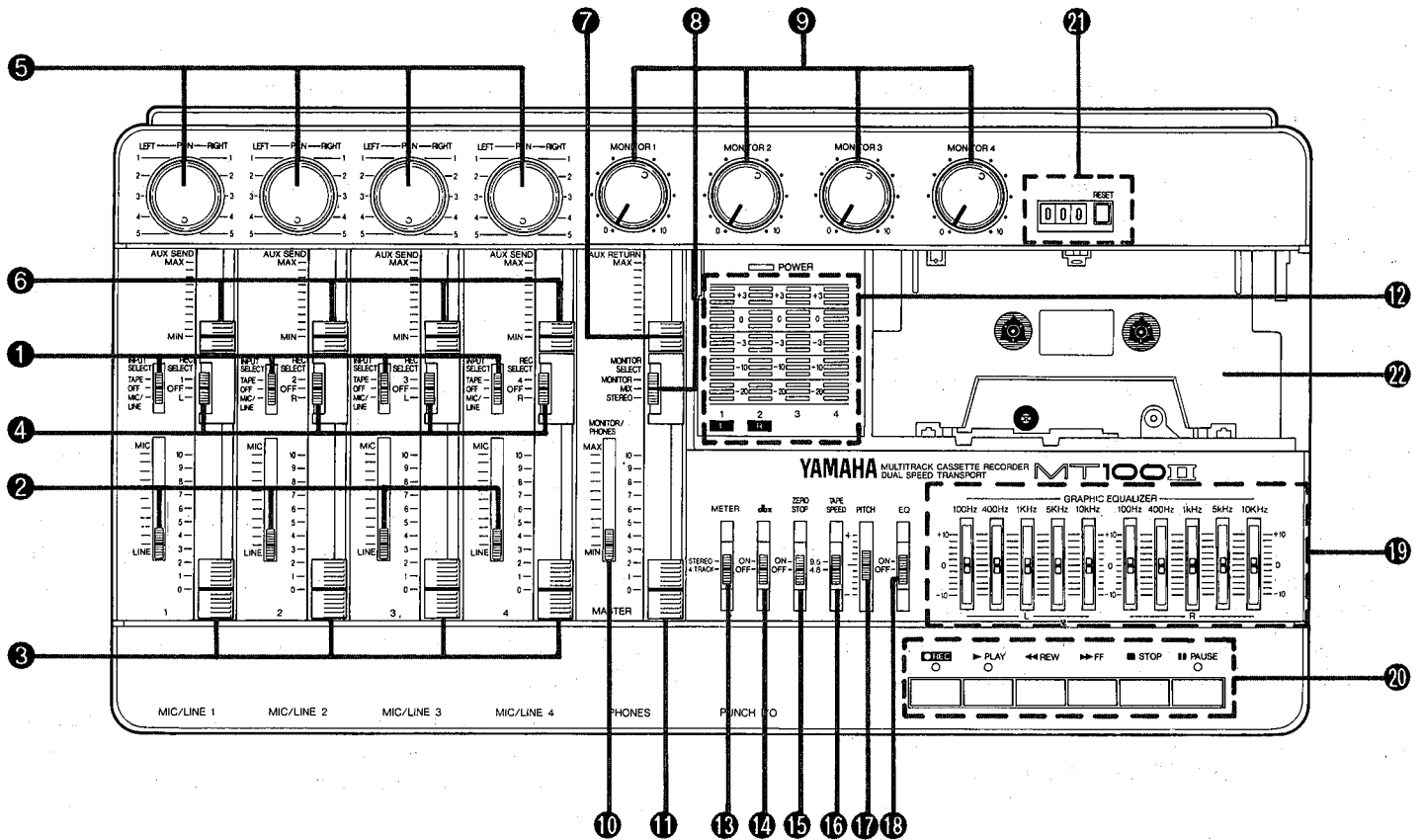
Saubere Tonköpfe und ein sauberer Bandtransportmechanismus sind Voraussetzung für gute Leistungen des MT100II. Daher die Köpfe und den Bandweg des MT100II regelmäßig (am besten vor jeder Aufnahme) reinigen. Dazu einen speziellen Reiniger für Kassettendecks verwenden.

9. NUR HOCHWERTIGE CHROMBAND-KASSETTEN VERWENDEN.

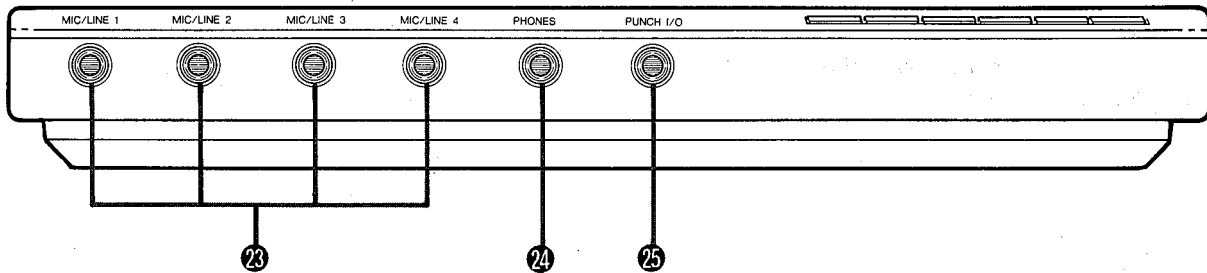
Das MT100II ist ausschließlich auf Chromdioxidbänder kalibriert und kann mit anderen Bandsorten nicht die normalen Leistungen erbringen. Nur gute Markenbänder verwenden.

BEDIENELEMENTE UND ANSCHLÜSSE

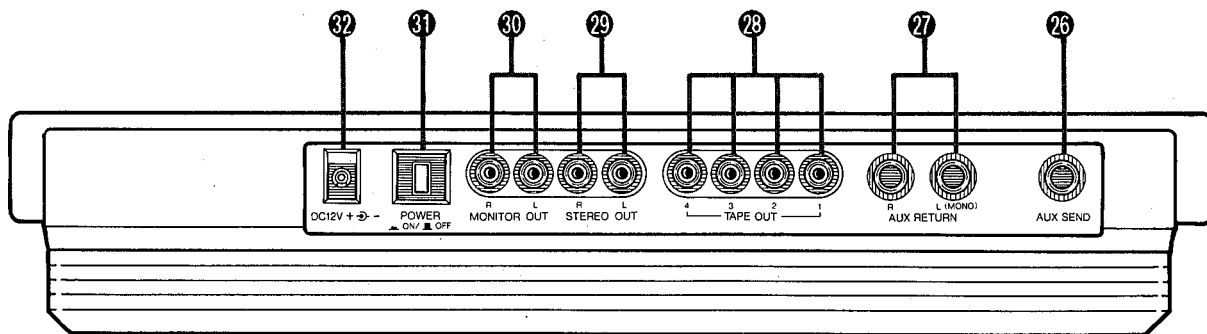
BEDIENFELD



FRONTKONSOLE



RÜCKSEITE



[Hinweis] Die Begriffe "Kanal" und "Spur" in dieser Anleitung werden zur Unterscheidung zwischen den vier "Kanälen" des Mischmoduls im MT100II und den vier "Spuren" des Recordermoduls verwendet. "Spur" bezieht sich auf die vier auf Band aufgezeichneten "Spuren". Da das MT100II ein Band mit vier separaten Spuren bespielen kann, handelt es sich hierbei um einen Vierspur-Recorder.

① Eingangswahlschalter (INPUT SELECT)

Die INPUT SELECT-Schalter dienen zum Wählen der Programmquelle für den betreffenden Kanal.

TAPE: Diese Position legt die Signale von internen Recorderspuren an den entsprechenden Eingang. Die vier Kanäle des Mischmoduls entsprechen hierbei den vier Recorderspuren: Kanal 1 des Mischmoduls erhält die Signale von Spur 1. Die Signale der Spuren 2, 3 und 4 werden entsprechend auf die Mischmodulkonkanäle 2, 3 bzw. 4 gelegt.

OFF: In dieser Stellung ist der betreffende Eingang ungeachtet der Faderstellung stummgeschaltet.

MIC/LINE: Mit dieser Stellung werden die Signale von externen Mikrofonen, Keyboards oder anderen am betreffenden Eingang angeschlossenen Quellen empfangen.

[Hinweis] Die INPUT SELECT-Schalter von unbeschalteten Eingangskanälen (d. h. nicht angeschlossene Eingänge) sollten generell auf OFF gestellt werden, um Rauscheinstreuungen zu verhindern.

② MIC/LINE-Trimmregler

Die Trimmregler dienen zum Abgleichen der Empfindlichkeit der Kanäleingänge, um das MT100II auf einen großen Bereich von Eingangssignalpegeln, von Line bis Mikrofon, abstimmen zu können. Die Trimmregler werden in Kombination mit den Kanalfadern verwendet, um den optimalen Aufnahmepegel für einen weiten Bereich von Signalquellen einstellen zu können (siehe AUSSTEUERN DER AUFNAHMEPEGEL auf Seite 65)

[Hinweis] Die MIC/LINE-Trimmregler wirken nur auf externe Signale, die an den Eingangsbuchsen anliegen.

③ Kanalfader

Bei den Kanalfadern handelt es sich um Schieberegler zum Einstellen des Signalpegels (Lautstärke) im entsprechenden Kanalzug des Mischmoduls des MT100II. Dabei spielt es keine Rolle, ob das Signal von einer angeschlossenen Signalquelle oder vom Rekorderteil des MT100II kommt. Die Fader dienen bei der Aufnahme zur Pege-

laussteuerung und während der Wiedergabe zum Pegelabgleich (Balance), d. h. Abmischen der Rekorderspuren. In der Fader-Stellung "7" sind Rauschen und Verzerrung am geringsten.

④ Aufnahmespur-Wahlschalter (REC SELECT)

Mit den REC SELECT-Wahlschaltern können Sie die einzelnen Kanalzüge des Mischmoduls einerseits den entsprechend nummerierten Recorderspuren direkt zuweisen. Andererseits können Sie Kanäle mit Hilfe der PAN-Regler auch Spuren mit anderer Nummer zuordnen (siehe KANAL/SPURZUWEISUNG auf Seite 63).

[Hinweis] Wenn einer der REC SELECT-Schalter in einer anderen Stellung als OFF steht, blinkt die LED-Anzeige über der REC-Taste und weist darauf hin, daß das MT100II auf Aufnahmebereitschaft geschaltet ist. Die Aufnahme wird durch gleichzeitiges Drücken von REC und PLAY ausgelöst. Falls alle REC SELECT-Schalter auf OFF gestellt sind, erfolgt keine Aufnahme selbst wenn REC und PLAY gedrückt werden.

⑤ Panoramaregler (PAN)

Mit den PAN-Reglern werden Signale des entsprechenden Mischmodulkonkanals im Stereobild positioniert. Falls ein PAN-Regler ganz auf LEFT gestellt ist, liegt das Signal des betreffenden Mischmodul-Kanalzugs nur am Ausgang für den linken Stereokanal (STEREO OUT L) des MT100II an. Wenn der PAN-Regler ganz in die RIGHT-Position gedreht ist, wird das Signal nur über den rechten Stereo-Ausgang (STEREO OUT R) des MT100II weitergegeben. In der Mittelstellung des PAN-Reglers liegt das Signal dieses Kanalzugs am linken und rechten Stereoausgang mit gleichem Pegel an und der Klang scheint aus der Mitte des Stereofelds zu kommen (d. h. zwischen den beiden Stereoboxen). Andere PAN-Reglerstellungen plazieren das Signal aufgrund von unterschiedlichen Stereokanalpegeln an die entsprechenden Positionen im Stereobild. Daneben können die Signale mehrerer Kanalzüge mit den PAN-Reglern auf einer Recorderspur zusammengelegt werden. Außerdem kann man mit diesen Reglern einen Mischmodul-Kanal einer Recorderspur mit anderer Nummer zuordnen (siehe KANAL/SPURZUWEISUNG auf Seite 63).

⑥ Effektschleifenregler (AUX SEND)

Die AUX SEND-Regler werden in erster Linie beim Zuschalten von Effekten wie Nachhall oder Echo auf den einzelnen Kanalzügen oder Spuren verwendet. Die AUX SEND-Regler bestimmen, welcher Betrag eines Kanalsignals zur AUX SEND-Buchse gesendet wird. Dazu muß die AUX SEND-Buchse mit dem Eingang eines externen Signalprozessors wie dem YAMAHA Simultan-Effektprozessor FX500 verbunden werden (siehe "VERWENDUNG DER AUX SEND/RETURN-SCHLEIFE" auf Seite 72).

⑦ Effektsignal-Rückgaberegler (AUX RETURN)

Der AUX RETURN-Regler bestimmt den Pegel, mit welchem das Effektsignal von einem externen Klangprozessor, der über die AUX SEND-Buchse gespeist wird, zurückkehrt und mit dem Stereo-Hauptsignal des MT100II abgemischt wird. Die Ausgänge des Klangprozessors, dem die Signale von der AUX SEND-Buchse des MT100II zugeführt werden, müssen mit den AUX RETURN-Buchsen des MT100II verbunden werden (Siehe VERWENDUNG DER AUX SEND/RETURN-SCHLEIFE auf Seite 72).

⑧ Abhörer-Wahlschalter (MONITOR SELECT)

MONITOR: Diese Position dient zum Abhören der vier Recorderspuren. Die einzelnen Spuren werden über die vier MONITOR-Regler abgemischt und an die PHONES-Buchse bzw. MONITOR OUT-Ausgänge weitergegeben.

MIX: In dieser Schalterstellung werden die vier Recorderspuren und die an den Eingangsbuchsen angeschlossenen Quellen an die PHONES-Buchse und die MONITOR OUT-Ausgänge gelegt. Dazu wird die durch die MONITOR-Regler festgelegte Spurabmischung mit dem Stereo-Ausgangssignal des Mischmoduls kombiniert.

STEREO: Damit können die Stereo-Ausgangssignale der Mischeinheit abgehört werden. In dieser Schalterstellung liegt an der MONITOR OUT- bzw. PHONES-Buchse das gleiche Signal wie an den Stereo-Ausgängen an.

⑨ Spurabhörregler (MONITOR)

Die vier MONITOR-Regler bestimmen den Mithörpegel für die Signale auf den entsprechenden Recorderspuren, die in der MONITOR SELECT-Schalterstellung "MONITOR" oder "MIX" an PHONES-Buchse bzw. MONITOR OUT-Ausgängen anliegen. Die MONITOR-Regler werden während Synchronschnitten (Overdubbing) in erster Linie zum Einstellen der Mithörpegel von bespielten Spuren verwendet.

⑩ Abhörpegel-Fader (MONITOR/PHONES)

Der MONITOR/PHONES-Fader dient zur unabhängigen Lautstärkeregelung für die Signale, die an PHONES- und MONITOR OUT-Buchsen anliegen, wodurch der Mithörpegel problemlos eingestellt werden kann. Die Einstellung dieses Fadens wirkt sich nicht auf den Stereo-Ausgangspegel aus.

⑪ Stereo-Hauptfader (MASTER)

Der MASTER-Fader legt den Gesamtausgangspegel der Mischeinheit und damit den Ausgangspegel des Stereosignals an den STEREO OUT-Buchsen fest. Der MASTER-Fader beeinflusst auch die Aufnahmepegel, wenn Kanalzüge der Mischeinheit mit den PAN-Reglern Recorderspuren zugewiesen werden (siehe AUSSTEUERN DER AUFNAHMEPEGEL auf Seite 65).

⑫ LED-Spitzenwertanzeigen

Die vier LED-Spitzenwertanzeigen geben die Ausgangspegel der vier Recorderspuren des MT100II mit höchster Genauigkeit an, wenn der METER-Schalter auf "4 TRACK" gestellt ist, während die Spitzenwertanzeigen 1 und 2 in der METER-Schalterstellung "STEREO" die Pegel der an den Stereo-Ausgängen (STEREO OUT-Buchsen) anliegenden Signale auführen.

Diese LED-Spitzenwertanzeigen spielen beim Aussteuern der Aufnahmepegel eine wichtige Rolle (siehe AUSSTEUERN DER AUFNAHMEPEGEL auf Seite 65).

⑬ Anzeigeschalter (METER)

In der "4 TRACK"-Stellung des METER-Schalters zeigen die vier LED-Spitzenwertmesser die Pegel der entsprechenden Recorderspuren an, während in der "STEREO"-Stellung des METER-Schalters die LED-Spitzenwertanzeigen 1 und 2 den Signalpegel an den Stereo-Ausgängen (STEREO OUT-Buchsen) des Mischmoduls angeben.

⑭ dbx-Schalter (dbx ON/OFF)

Der dbx-Schalter dient zum Ein/Ausschalten der im MT100II integrierten dbx-Rauschunterdrückung. Bei normaler Aufnahme und Wiedergabe mit dem MT100II sollte der dbx-Schalter auf ON gestellt werden. Dadurch resultiert ein wesentlich besserer Rauschabstand (bis zu 85 dB), weshalb die Aufnahmen sauberer klingen und weniger Bandrauschen enthalten.

Damit die dbx-Rauschunterdrückung wirken kann, muß sie zur Aufnahme wie zur Wiedergabe zugeschaltet werden. Zur Wiedergabe von Aufzeichnungen, die mit anderen Geräten ohne dbx-Rauschunterdrückung erstellt wurden, muß der dbx-Schalter auf OFF gestellt werden.

15 Nullpunkt-Suchlauttaste (ZERO STOP)

Die ZERO STOP-Funktion stoppt das Band beim Zurückspulen automatisch, wenn das Zählwerk 000 erreicht. Dies ist besonders praktisch zum Auffinden bestimmter Bandstellen. Zum Verwenden der ZERO STOP-Funktion drücken Sie ganz einfach an der betreffenden Bandstelle die RESET-Taste, um das Bandzählwerk (unter) auf "000" rückzustellen. Wenn Sie danach die ZERO STOP-Taste auf ON stellen, stoppt das Band beim Schnellerücklauf automatisch, wenn die Zählwerkposition "999" erreicht ist. Dies ist besonders praktisch bei Mehrspuraufnahmen, da ja das Band mehrmals an die gleiche Stelle zurückgespult werden muß, um synchrone Aufnahmen anlegen zu können.

16 Bandgeschwindigkeitsschalter (TAPE SPEED)

Mit dem TAPE SPEED-Schalter kann zwischen normaler (4,8 cm/Sek.) und hoher Bandgeschwindigkeit (9,5 cm/Sek.) umgeschaltet werden. Die normale Bandgeschwindigkeit (4,8) zur Wiedergabe von Bändern verwenden, die mit dieser Geschwindigkeit bespielt wurden, oder aber um Band zu sparen. Zum Erzielen der höchsten Klangqualität empfiehlt sich die hohe Bandgeschwindigkeit (9,5). Die qualitative Klangverbesserung aufgrund der hohen Bandgeschwindigkeit ist beträchtlich und wir empfehlen deshalb die hohe Bandgeschwindigkeit für alle Aufnahmen.

[Hinweis] Niemals die Bandgeschwindigkeit bei laufendem Band wechseln!

17 Tonlagenregler (PITCH)

Mit dem PITCH-Regler kann die Bandgeschwindigkeit um bis zu $\pm 10\%$ verändert werden, wodurch das mit dem MT100II aufgezeichnete Material auf Instrumente eingestellt werden kann. Außerdem kann damit eine Aufnahme geringfügig verlängert oder verkürzt werden, um Zeitvorgaben zu erfüllen. In der mittleren Einraststellung des PITCH-Reglers arbeitet das MT100II mit normaler Bandgeschwindigkeit, während ein Verschieben des Reglers auf die "+"-Seite die Geschwindigkeit erhöht und ein Verschieben auf die "-"-Seite sie vermindert.

18 Equalizerschalter (EQ)

Dient zum Ein- und Ausschalten des integrierten grafischen Equalizers.

19 Grafischer Equalizer

Der Equalizer dient zum Abgleichen des Frequenzspektrums, um eine ausgewogene Aufnahme zu bekommen. Der grafische Equalizer des MT100II unterteilt das Frequenzspektrum in 5 Bänder, deren Pegel bei ein-

gerastetem EQ-Schalter 18 mit den entsprechenden Equalizerreglern um bis zu 10 dB angehoben oder gesenkt werden können. Der grafische Equalizer kann bei Aufnahme und Wiedergabe zugeschaltet werden.

[Hinweis] Der grafische Equalizer wirkt bei der Aufnahme auf die Signale, die über die PAN-Regler Spuren zugewiesen werden, d. h. wenn die entsprechenden REC SELECT-Schalter auf L oder R gestellt sind. Er arbeitet jedoch nicht bei der Aufzeichnung von Quellen, die über die REC SELECT-Schalterstellungen 1 — 4 angewählt und Spuren zugewiesen werden.

20 Bandtransporttasten

Diese elektronischen Tipptasten ermöglichen eine präzise Steuerung aller Bandtransportfunktionen.

Aufnahmetaste (REC): Wenn diese Taste zusammen mit PLAY gedrückt wird, aktiviert sich die Aufnahmeschaltung des MT100II. Falls alle REC SELECT-Schalter auf OFF gestellt sind und die REC-Taste gedrückt wird, blinkt die rote REC-Anzeige und die orangefarbene PAUSE-Anzeige leuchtet auf. Falls sich ein REC SELECT-Schalter in einer anderen Position als OFF befindet, leuchten die REC-Anzeige und die orangefarbene PAUSE-Anzeige beide stetig, da das Gerät auf Aufnahmepause geschaltet ist. In diesem Schaltzustand arbeitet der Bandtransport noch nicht und die Aufnahme hat noch nicht begonnen. Um von der Aufnahmepause auf Aufnahme zu schalten, müssen Sie die PLAY-Taste drücken, wonach der Bandtransport startet und die Aufnahme beginnt (falls einer der REC SELECT-Schalter sich in einer anderen Stellung als OFF befindet). Falls alle REC SELECT-Schalter auf OFF gestellt sind, läuft das Band in Aufnahmebereitschaft, bis ein REC SELECT-Schalter von OFF in eine andere Stellung gebracht wird.

[Hinweis] Es wird nur auf die Spuren aufgenommen, deren REC SELECT-Schalter nicht auf OFF gestellt sind.

[Hinweis] Bei Kassetten, deren Löschschutzungen herausgebrochen sind, kann das Gerät nicht auf Aufnahme geschaltet werden.

Wiedergabetaste (PLAY): Diese Taste aktiviert den Bandtransport für Wiedergabe. Während der Wiedergabe leuchtet die grüne PLAY-Anzeige.

Rückspultaste (REW): Diese Taste dient zum Zurückspulen des Bandes im Schnellauf. Falls der ZERO STOP-Schalter eingerastet ist, stoppt das Band, wenn es "999" erreicht.

Vorspul/Suchlaufaste (FF): Diese Taste löst die Schnellvorspule des Bandes aus. Wenn die Taste während Wiedergabe gedrückt wird, kann man die Aufnahme im Zeitraffermodus hören, was das Auffinden von Bandstellen erleichtert.

Stopptaste (STOP): Durch Drücken von STOP wird der Bandtransport in allen Betriebsarten gestoppt.

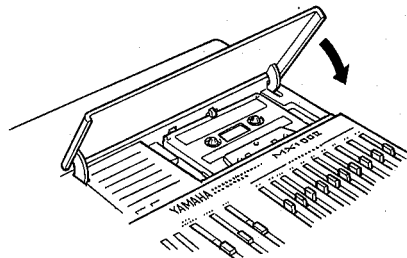
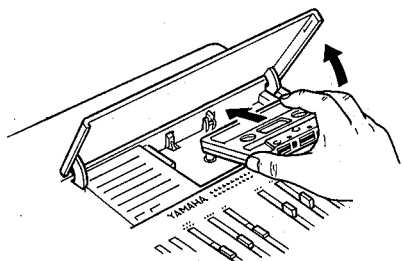
Pausetaste (PAUSE): Die PAUSE-Taste unterbricht Wiedergabe oder Aufnahme. Die orangefarbene PAUSE-Anzeige leuchtet, wenn das Gerät auf Pause geschaltet ist. Durch Drücken von PLAY wird die Aufnahme oder Wiedergabe fortgesetzt und die PAUSE-Anzeige erlischt.

⑫ Bandzählwerk und Rückstelltaste (RESET)

Dieses dreistellige Bandzählwerk gibt Aufschluß über die Bandstellung. Es empfiehlt sich die Zählwerkanzeige an wichtigen Bandstellen zu notieren, um sie nachher leichter auffinden zu können. Durch Antippen der RESET-Taste wird das Zählwerk an der gegenwärtigen Bandstellung auf "000" rückgestellt. Diese Taste wird daher im Zusammenhang mit der ZERO STOP-Funktion ⑮ verwendet, um Bandstellen zu markieren.

⑬ Kassettenfach

Hier wird die Kassette eingelegt. Nur hochwertige Chrombänder (CrO₂) verwenden. Andere Bandsorten weisen nicht die richtigen Frequenzgangeigenschaften auf und führen beim MT100II zu erhöhtem Bandrauschen. Den Kassettenfachdeckel (auf der rechten Seite befindet sich eine Noppe) öffnen und die Kassette so einlegen, daß deren Öffnung auf die Bandtransporttasten zeigt. Die Kassetten hinten unter den Haltefinger an der Rückseite des Kassettenfachs einsetzen und dann die Vorderseite (Bandöffnung) in den Transportmechanismus einrasten. Danach den Kassettenfachdeckel sanft schließen.



[Hinweis] Da das MT100II die gesamte Bandbreite zur Aufnahme von vier Spuren verwendet, kann nur eine Kassettenseite verwendet werden. Falls die Kassette umgedreht und bespielt wird, wird zuvor aufgenommenes Material gelöscht und überspielt.

⑭ Eingänge 1 — 4 (MIC/LINE)

Diese vier Eingänge verarbeiten die Signale von Mikrofonen sowie von hochpegeligen Quellen wie elektronische Musikinstrumente, elektrische Gitarren, Bässe oder Kassettendecks. Bei allen vier Eingängen handelt es sich um 1/4 Zoll Standard-Klinkenbuchsen. Wenn eine Signalquelle an einen dieser Eingänge angeschlossen ist, wird deren Signal zu dem entsprechenden Kanal des im MT100II integrierten Mischmoduls gesendet.

⑮ Kopfhörerbuchse (PHONES)

An diese Buchse kann ein beliebiger Stereo-Kopfhörer mit einer Impedanz zwischen 8 und 40 Ohm angeschlossen zu werden. Ein guter Kopfhörer empfiehlt sich als Werkzeug zum Abhören der verschiedenen Signale des MT100II. Hierzu bietet sich der YAMAHA Kopfhörer RH5M oder MH100 als ideale Ergänzung an.

⑯ Fußschalterbuchse für Einfügaufnahmen (PUNCH I/O)

An diese Buchse kann ein getrennt erhältlicher YAMAHA FS-1 Fußschalter angeschlossen werden, mit dem Einfügaufnahmen (Punch-in/out) ausgelöst und beendet werden können (siehe PUNCH-IN/OUT-AUFNAHME auf Seite 73).

⑰ Sendebuchse (AUX SEND)

⑱ Linke und rechte Rückgabebuchse (AUX RETURN L (MONO) und R)

Die AUX SEND- und RETURN-Buchsen ermöglichen ein problemloses Zwischenschalten eines externen Stereo-Klangprozessors (wie z. B. der YAMAHA Simultan-Effektprozessor FX500), um den Signalen des MT100II Effekte hinzuzufügen. Dazu ist die AUX SEND-Buchse mit dem Eingang des Klangprozessors zu verbinden, während

die Ausgänge des Klangprozessors an die linke und rechte AUX RETURN-Buchse des MT100II angeschlossen werden. Falls es sich beim Klangprozessor um ein Mono-Gerät handelt wird dessen Ausgang an die linke L (MONO) AUX RETURN-Buchse angeschlossen (siehe "VERWENDUNG DER AUX SEND/RETURN-SCHLEIFE auf Seite 72).

28 Rekordermodul-Ausgangsbuchsen (TAPE OUT 1 — 4)

Die vier TAPE OUT-Buchsen stellen die Direktausgänge für die entsprechend nummerierten Recorderspuren dar. Damit können die Signale auf den diversen Recorderspuren einem externen Mischpult separat zugeführt werden. Über die TAPE OUT-Buchsen können aber auch die Signale einzelner Spuren externen Klangprozessoren getrennt zugeleitet werden und dann über die Eingänge des MT100II-Mischmoduls wieder zurückgeführt werden.

29 Linker und rechter Stereo-Ausgang (STEREO OUT L und R)

Dies sind die Hauptausgänge des MT100II. Diese Buchsen geben das abgemischte Stereo-Hauptsignal von der Mischeinheit des MT100II weiter. Bei den STEREO OUT-Buchsen handelt es sich um Cinchbuchsen, die zur Wiedergabe an eine Stereoanlage angeschlossen werden können. Sie können aber auch mit einem zweiten Kassettenspieler verbunden werden, wenn eine Stereo-Mischung vom Mehrspur-Masterband im MT100II angelegt werden soll.

30 Linker und rechter Mithörausgang (MONITOR L und R)

An diesen Buchsen liegt das gleiche Signal an wie an der PHONES-Buchse. Das Signal wird über den MONITOR-Schalter gewählt und der Ausgangspegel wird über den MONITOR/PHONES-Regler eingestellt. Da die MONITOR OUT-Buchsen Cinchbuchsen sind, können sie zum Überwachen der Signale mit einem Stereosystem verbunden werden.

31 Ein/Aus-Schalter (POWER)

Den POWER-Schalter dient zum Ein- und Ausschalten des Geräts. Vor dem Einschalten die Fader auf "0" und den AUX RETURN-Pegelregler auf "MIN" stellen. Bei eingeschaltetem MT100II leuchtet die POWER-Anzeige über den Spitzenwertanzeigen auf.

[Hinweis] Beim Einschalten arbeitet eine automatische Stummschaltung ca. fünf Sekunden lang, wonach das MT100II betriebsbereit ist.

32 Gleichspannungseingang (DC12V)

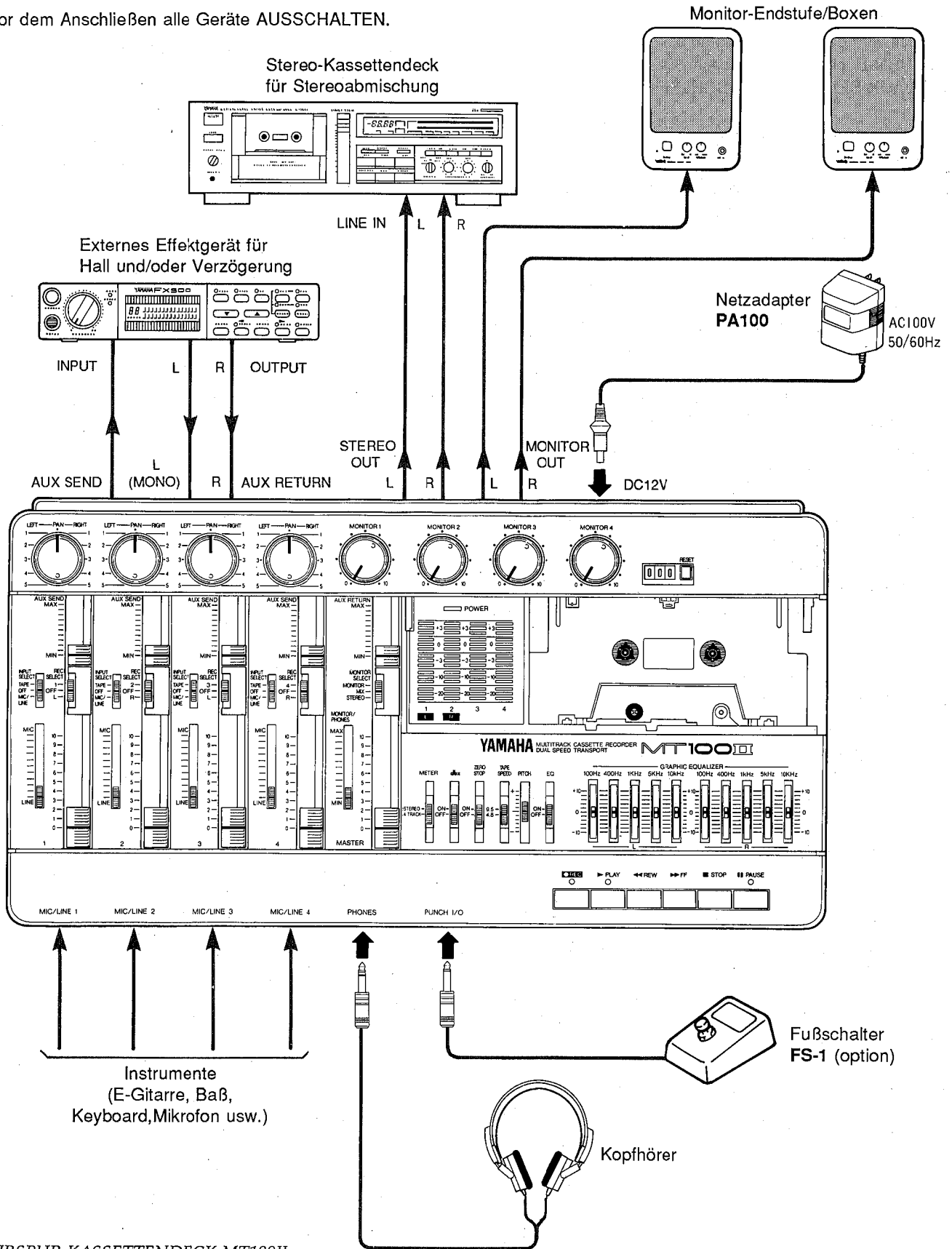
An diese Buchse ist das Gleichspannungskabel des mitgelieferten YAMAHA PA100 Netzadapters anzuschließen. Der Netzadapter selbst wird in die Netzsteckdose eingeführt.

Vorsicht: Nur den YAMAHA Netzadpater PA100 zur Stromversorgung des MT100II verwenden. Andere Netzadapter können Betriebsstörungen oder Schäden am MT100II verursachen.

ANSCHLUSSBEISPIELE

BASISANSCHLÜSSE

* Vor dem Anschließen alle Geräte AUSSCHALTEN.



ÜBER DEN UMGANG MIT KASSETTEN

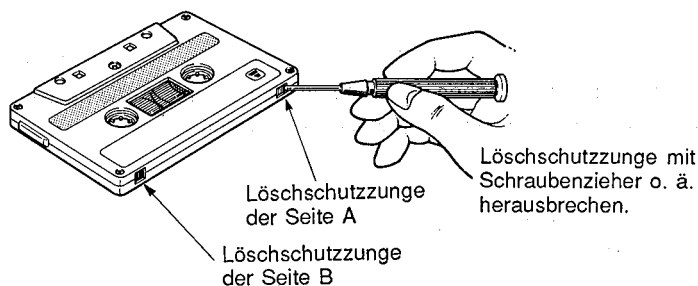
Dieses Gerät ist **ausschließlich auf Chromdioxidbänder ausgelegt** und erbringt daher mit Reineisenbändern keine guten Ergebnisse. Daher sollten nur Chrombänder (Bias: HIGH; EQ: 70 μ s) eingesetzt werden, um korrekte Vormagnetisierung und Entzerrung zu erhalten. Darüber hinaus ist von der Verwendung von C-120 Bändern abzuraten. Diese Bänder sind zu dünn, führen zu schlechteren Leistungen und können Störungen im Bandtransportmechanismus verursachen.

● Löschsutzungen

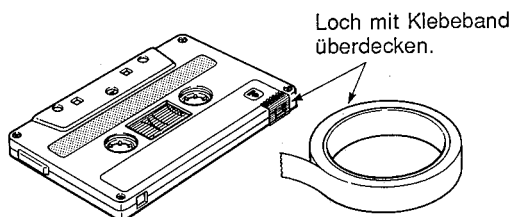
Um wichtige Aufnahmen vor versehentlichem Löschen zu schützen sind alle Kassetten mit Löschsutzungen versehen. Falls diese Zungen mit einem Schraubenzieher herausgebrochen werden, kann die entsprechende Seite nicht erneut bespielt werden. Damit können Sie Ihre wichtigen Aufnahmen vor versehentlichem Überspielen oder Löschen schützen. Bei 4-Spuraufnahmen müssen Sie jedoch jeweils die Löschsutzungen für beide Kassettenseiten (A und B) entfernen.

Falls eine Kassette mit entfernten Löschsutzungen erneut bespielt werden soll, müssen Sie nur die Zungenlöcher mit Klebeband abdecken.

• LÖSCHSCHUTZ:

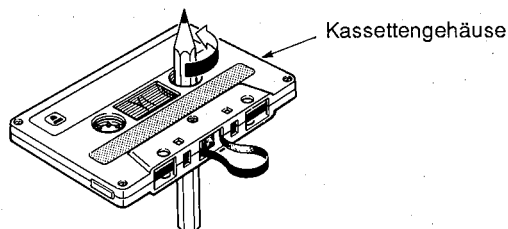


• AUFNAHME AUF KASSETTE MIT ENTFERNTEN LÖSCHSCHUTZUNGEN:



● Straffen von lockeren Bändern

Wenn Kassetten mit locker aufgewickelten Bändern eingelegt werden, kann es an Kapstan oder Andruckrolle zu "Bandsalat" kommen. Um dies auszuschließen, vor dem Einlegen einen Bleistift oder Kugelschreiber in eine Spule stecken und drehen, um das Band zu straffen.



● Lagern von Kassetten

Um ein Lockern des Bandes zu verhindern, sollten nach Gebrauch die Kassetten in ihr Schutzgehäuse gegeben werden. Kassetten müssen vor direkter Sonneneinstrahlung, Hitze und Feuchtigkeit geschützt werden, um Bandschäden zu verhindern. Außerdem sollten Kassetten keinesfalls in die Nähe von starken magnetischen Feldern gebracht werden, wie sie von Fernsehgeräten, Lautsprechern usw. erzeugt werden. Magnetfelder können Löschung oder Klangveränderungen verursachen.

AUFNAHME

Die Einzelheiten zur Bedienung der Schalter, Regler und Tasten des MT100II sind auf Seite 54 **BEDIENELEMENTE UND ANSCHLÜSSE** aufgeführt.

Die Aufnahme mit dem MT100II ist ein ganz einfacher Vorgang. Sie benötigen dazu nur Kopfhörer und ein Instrument, ein Mikrofon oder eine andere Signalquelle.

Mehrspurtaufnahmen lassen sich in folgende grundlegende Schritte unterteilen:

1. Aufnahme auf die erste Spur

- a) Kanal/Spur-Zuweisung für Eingangsquelle.
- b) Den Aufnahmepegel aussteuern.
- c) Aufnahme.

2. Synchronaufnahme auf die restlichen Spuren

- a) Kanal/Spur-Zuweisung für Eingangsquelle
- b) Den Aufnahmepegel für jede Aufnahme aussteuern.
- c) Die Spuraufnahme durchführen.

3. Zusammenlegen von Spuren

- a) Pingpong-Aufnahme und weitere Spuraufnahmen durchführen, falls erforderlich.

4. Mischen

- a) Mithörfunktion zum Abmischen einstellen.
- b) Eine grobe Mischung erstellen und Effekte hinzufügen.
- c) Die endgültige Mischung erstellen und überprüfen.
- d) Die STEREO OUT-Buchsen des MT100II mit einem Stereo-Kassettenrekorder verbinden.
- e) Die Mischung vom MT100II auf den Stereorekorder überspielen.

Diese Schritte und die verwendete Terminologie werden anschließend ausführlich besprochen, weshalb es sich empfiehlt, die nachfolgenden Abschnitte der Reihe nach durchzulesen, um ein klares Verständnis des Aufnahmeprozesses zu gewinnen.

AUFNAHME AUF DIE ERSTE SPUR

SCHRITT 1: KANAL/SPURZUWEISUNG

Bei allen Aufnahmen muß als nächstes der Kanalzug, an dem das Instrument oder die Programmquelle angeschlossen ist, einer der Rekorderspuren zugewiesen werden.

Das MT100II bietet zwei verschiedene Verfahren zur Kanal/Spurzuweisung. Damit können Sie je nach Aufnahmematerial ein einzelnes Instrument oder eine Programmquelle einer einzelnen Spur zuordnen und auf diese aufnehmen. Sie können aber auch eine Reihe von Instrumenten oder Programmquellen zusammenlegen und auf eine Spur aufzeichnen.

Direkte Kanal/Spurzuweisung

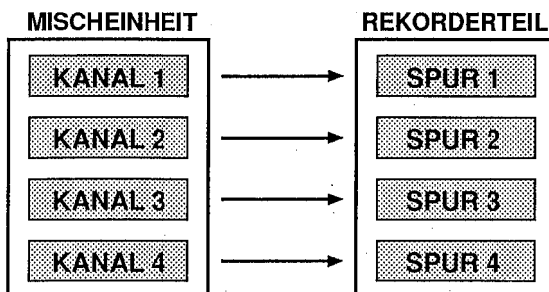
Mit diesem Verfahren wird ein Instrument oder eine Programmquelle, die an einem Kanalzug angeschlossen ist, der Recorderspur mit der gleichen Nummer wie der Kanal zugewiesen. Damit kann man eine Spur alleine oder alle vier Spuren simultan bespielen. Bei dieser Zuweisung kann jedoch nur jeweils eine Quelle auf eine Spur gelegt werden.

Zur direkten Kanal/Spurzuweisung müssen die REC SELECT-Schalter auf die Nummernposition (1, 2, 3 oder 4) gestellt werden. Wenn z. B. REC SELECT-Schalter 1 in Stellung "1" steht, werden die Signale von Kanal 1 direkt zur Spur 1 des Recorders geführt. Die anderen Kanäle und Spuren werden auf gleiche Weise zugewiesen.

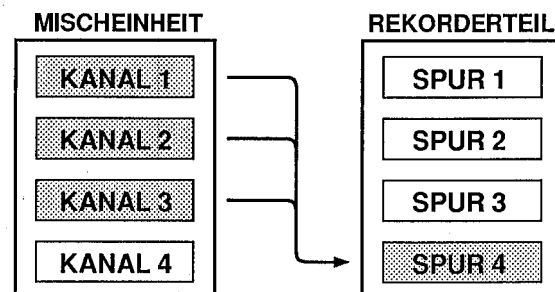
Kanal/Spurzuweisung mit PAN-Regler

Mit Hilfe der PAN-Regler können mehrere Mischmodul-Kanäle auf einer einzigen Recorderspur zusammengelegt werden. Ebenso kann ein einziger Kanal der Mischeinheit mehreren Recorderspuren zugewiesen werden.

Jeder REC SELECT-Schalter weist entweder eine "L"- oder "R"-Position auf. Diese entsprechen dem linken (L) bzw. rechten (R) Stereo-Ausgangskanal des Mischmoduls. Wenn der REC SELECT-Schalter von Spur 1 z. B. auf "L" gestellt ist, werden alle Signale, die mit den PAN-Reglern auf den linken Kanal gelegt wurden, der Spur 1 zugewiesen. Wenn daher der REC SELECT-Schalter von Spur 4 auf "R" und der PAN-Regler von Kanal 1 ganz auf RIGHT gestellt wird, ist Kanal 1 der Recorderspur 4 zugeordnet. Um die im Diagramm gezeigte Zuweisung auszuführen, wird REC SELECT-Schalter 4 auf "R" gebracht und die PAN-Regler von Kanal 1, 2 und 3 werden voll auf RIGHT gestellt.



Direkte Kanal/Spurzuweisung



Kanal/Spurzuweisung mit PAN-Regler

SCHRITT 2: AUFNAHMEÜBERWACHUNG

Nachdem die Programmquelle am Eingang eines Kanalzugs angeschlossen und dieser Kanal einer Spur zugewiesen wurde, empfiehlt es sich das Mithörsystem einzustellen, um die Spur, auf die aufgezeichnet wird, während der Aufnahme abhören zu können.

Die Signale können entweder über Kopfhörer oder aber über ein an den MONITOR OUT-Buchsen angeschlossenes System überwacht werden. Der Pegel der Signale an den Buchsen MONITOR OUT bzw. PHONES werden über den MONITOR/PHONES-Regler festgelegt. Der MONITOR SELECT-Schalter weist drei Stellungen auf und bestimmt, ob nur die Recorderspuren (MONITOR-Stellung), die (Eingangsquellen (STEREO) oder die Kombination dieser Signale (MIX) gehört werden.

MONITOR: In dieser Schalterstellung werden die Ausgangssignale der vier Recorderspuren über die vier MONITOR-Regler direkt an die PHONES- oder MONITOR OUT-Buchsen gelegt. Die MONITOR-Regler dienen zum Einstellen der Mischung der abzuhörenden Signale. Diese Anordnung ist ideal für die allgemeine Aufnahmeüberwachung, da die Mithörmischung unabhängig von den Kanalfadern eingestellt werden kann. Bereits aufgezeichnetes Material wird über den entsprechenden MONITOR-Regler an die PHONES- oder MONITOR OUT-Buchsen gelegt. In diesem Fall kann eine Eingangsquelle nur gehört werden, wenn Sie über den entsprechenden REC SELECT-Schalter einer beliebigen Recorderspur zugewiesen ist und die Transporttasten auf Aufnahme oder Aufnahmebereitschaft geschaltet sind.

MIX: In dieser Schalterstellung werden den PHONES- bzw. MONITOR OUT-Buchsen die Ausgangssignale der vier Recorderspuren (über die entsprechenden MONITOR-Regler) und die Stereo-Ausgangssignale der Mischeinheit simultan zugeführt.

STEREO: In dieser Schalterstellung liegt nur das Stereo-Ausgangssignal der Mischeinheit an den Buchsen PHONES und MONITOR OUT an. Diese Stellung wird zum Abmischen einer vollständigen Mehrspuraufnahme eingesetzt, da ja beim Mischen die Stellungen der Kanalfader und der AUX SEND- und RETURN-Regler (bei Zuschalten von Effektsignalen) überwacht werden müssen.

[Hinweis] Zur Überwachung von Mikrofonaufnahmen keinesfalls Lautsprecher verwenden, da deren wiedergegebenen Klänge mitaufgezeichnet werden und somit die Aufnahme verderben.

SCHRITT 3: AUSSTEUERN DER AUFNAHMEPEGEL

Das korrekte Aussteuern der Aufnahmepegel ist Voraussetzung für gute Aufnahmequalität.

1. Überprüfen, ob die eingelegte Kassette zum vorgesehenen Bandstelle gespult ist. Es empfiehlt sich die RESET-Taste zu drücken, um das Bandzählwerk auf "000" zurückzustellen. Dadurch kann man den Aufnahmeanfang dann später mit der ZERO STOP-Funktion auf Anhieb finden.
2. Den Fader des aufzunehmenden Kanals in die "0"-Stellung schieben und den MIC/LINE-Trimmregler ganz auf LINE stellen.
3. Die REC-Taste drücken, um das MT100II auf Aufnahmebereitschaft zu schalten. Das Band läuft jedoch nicht. Dann das Programm mit dem lautesten Pegel spielen, der für diese Aufnahme vorgesehen ist.
4. Den MASTER-Fader auf "7" oder "8" setzen und den Kanalfader verschieben, bis die LED-Spitzenwertanzeigen zu reagieren beginnen. Falls es sich bei der Quelle um ein elektrisches Instrument (Baß oder Gitarre) oder ein Mikro-

fon handelt, muß der MIC/LINE-Trimmregler unter Umständen in Richtung MIC verstellt werden, um eine genügend hohe Spitzenwertanzeige zu erzielen. Den Kanalfader und den MIC/LINE-Trimmregler so einstellen, daß die angezeigten Spitzenpegel zwischen "0" und "+3" liegen. Idealerweise sollte eine Kanalfaderstellung zwischen "7" und "8" diese Spitzenpegel bewirken. Damit wird der bestmögliche Rauschabstand und andererseits genug Spielraum für spätere Pegelkorrekturen gewährleistet. Falls die Faderstellung stark von den empfohlenen Werten abweicht, kann dies evtl. über den Lautstärkeregler des Instruments oder der Programmquelle korrigiert werden, um optimale Aufnahmepegel mit einer Faderstellung zwischen "7" und "8" zu erzielen. Nach dem Einstellen der Pegel wird zum Abschluß die STOP-Taste gedrückt, um die Aufnahmepause zu beenden.

SCHRITT 4: AUFNAHME

Nachdem der Eingangskanal einer Recorderspur zugewiesen und die Mithörfunktion eingestellt wurde und die Aufnahmepegel optimal ausgesteuert wurden, kann mit der Aufnahme begonnen werden.

[Hinweis] Vor Aufnahmebeginn sicherstellen, daß der PITCH-Regler auf OFF gestellt (Mittelstellung) ist.

1. Die REC-Taste und dann die PLAY-Taste drücken, um die Aufnahme auszulösen, ein paar Sekunden warten und dann mit dem Spielen beginnen.
2. Am Ende der Aufzeichnung für diese Spur die STOP-Taste drücken, den REC SELECT-Schalter der gerade bespielten Spur auf OFF stellen und die REW-Taste drücken (das Band stoppt automatisch an der Bandzählerstellung "999", falls der ZERO STOP-Schalter auf ON gestellt ist).
3. Die Aufnahme durch Drücken der PLAY-Taste wiedergeben und die Spur abhören, um die Aufnahme zu überprüfen.

[Hinweis] Falls bei der Aufnahme Mikrofone verwendet werden und die Aufnahme im gleichen Raum überwacht wird, sollten Kopfhörer zur Klangüberwachung verwendet werden. Falls Lautsprecher zur Klangkontrolle eingesetzt werden, kann deren Wiedergabe die Mikrofonaufnahme beeinträchtigen.

WEITERE SPURAUFNAMMEN (OVERDUBBING)

Das englische Wort *Overdubbing* beschreibt die Synchronaufnahme einer oder mehrerer neuen Spuren, während die vorher bespielten Spuren gleichzeitig abgehört werden. Falls Sie nur insgesamt vier Spuren aufzeichnen wollen, können Sie gleich mit der Aufnahme der 2., 3. und 4. Spur fortfahren. Falls Sie jedoch mit Hilfe der Pingpong-Methode mehr als vier Stimmen aufzeichnen wollen, sollten Sie zunächst nur drei Spuren aufnehmen und dann die Beschreibung zur Pingpong-Aufnahme lesen (siehe PINGPONG-AUFNAHME auf Seite 67).

1. Das aufzuzeichnende Instrument oder die Programmquelle an den vorgesehenen Kanaleingang anschließen. Den INPUT SELECT-Schalter dieses Kanals auf MIC/LINE stellen und die INPUT SELECT-Schalter der anderen Kanäle auf OFF stellen.
2. Sicherstellen, daß die REC SELECT-Schalter von bereits bespielten Spuren auf OFF gestellt sind, damit diese Spuren bei der nächsten Aufnahme nicht überspielt werden.
3. Die Kanal/Spurzuweisung für die neue Spur ausführen.
4. Die Einstellungen zum Mithören überprüfen, um sicherzustellen, daß die zuvor bespielten Spuren zusammen mit dem Aufnahmematerial wiedergegeben werden (bei Kopfhörereinsatz den MONITOR SELECT-Schalter auf MONITOR stellen).
5. Den Aufnahmepegel für die neue Spur aussteuern und den Klang mit den linken Equalizerreglern abgleichen, falls notwendig.
6. Jetzt kann die nächste Spuraufnahme noch einmal geprobt werden, während die zuvor bespielten Spuren wiedergegeben werden. Wenn der MONITOR SELECT-Schalter auf MONITOR gestellt ist, kann die Eingangsquelle nur gehört werden, falls die entsprechende Spur des MT100II auf Aufnahmebereitschaft oder Aufnahme geschaltet ist. Falls bei der Probe die bereits bespielten Spuren zusammen mit der neuen Eingangsquelle abgehört werden sollen, den MONITOR SELECT-Schalter auf MIX stellen.
7. Darauf achten, daß das Band zum Aufnahmearbeitspunkt zurückgespult ist und dann die Aufnahme auslösen.

Diese Schritte werden ganz einfach wiederholt, um weiteres Material in die Spuren 3 und 4 einzuspielen.

PINGPONG-AUFNAHME (SPURMISCHAUFNAHME)

Bei der Pingpong- oder Spurmischtaufnahme handelt es sich um ein Verfahren, um mehr als vier Stimmen mit einem Vierspurrekorder aufzunehmen.

Dazu werden bespielte Spuren auf eine leere Spur zusammengelegt. Wenn diese Spuren so miteinander kombiniert worden sind, können die ursprünglichen SPuren gelöscht und für weitere Aufnahmen verwendet werden.

Bei der Pingpong-Aufnahme werden z. B. zuerst die Spuren 1, 2 und 3 bespielt, dann mit Hilfe der Kanalfader usw. auf das korrekte Pegelverhältnis abgemischt und auf Spur 4 zusammengelegt. Dadurch haben Sie eine Mischung der ersten drei Spuren auf Spur 4 und die Spuren 1, 2 und 3 sind frei für weitere Aufnahmen. Damit können Sie bereits "6" Spuren auf einem Vierspurrekorder unterbringen. Während dem Abmischen der ersten drei Spuren auf Spur 4 kann gleichzeitig über die Mischeinheit des MT100II eine Aufnahme eines weiteren Instruments angelegt werden. Damit würde Spur 4 vier Stimmen enthalten. Da ja die ersten drei Spuren für die Aufnahme frei sind, stehen also insgesamt 7 Spuren zur Aufnahme zur Verfügung. Wenn Sie nun nur die ersten 2 Spuren bespielen und auf Spur 3 zusammenlegen und dabei gleichzeitig ein weiteres Instrument auf Spur 3 aufzeichnen haben Sie vier Stimmen auf Spur 4, 3 Stimmen auf Spur 2 und zwei weitere freie Spuren, d. h. insgesamt 9 Stimmen. Mit diesem Verfahren können tatsächlich bis 10 individuelle Stimmen aufgenommen werden, ohne eine Spur mehr als einmal bespielen zu müssen (siehe Abb.).

[Hinweis] Die Pingpong-Aufnahme oder Spurmischtaufnahme ist ein wichtiger Schritt. Die zusammengelegten Spuren müssen perfekt abgemischt sein, bevor weitere Spuren aufgenommen werden können. Dies ist ganz logisch, da ja nach dem Zusammenlegen der Spuren und Überspielen der ursprünglichen Spuren die Spurbalance und der Klang der kombinierten Spuren nicht mehr verändert werden kann. Bei einer schlechten Mischung muß daher das ursprüngliche Material noch einmal gespielt und aufgenommen werden.

[Hinweis] Für Pingpong-Aufnahmen sollte generell die dbx-Rauschunterdrückung zugeschaltet und eine Bandgeschwindigkeit von 9,5 cm/Sek. verwendet werden. Bei einer Bandgeschwindigkeit von 4,8 cm/Sek. und ausgeschalteter Rauschunterdrückung kann es nämlich zu Rückkopplungen kommen, wenn ein bespielte Spur auf eine benachbarte Spur umgelegt wird.

[Hinweis] Bei Pingpong-Aufnahmen erfolgt die Spuruweisung über die PAN-Regler. Daher sollten Sie nicht vergessen, daß auch die Signale auf der AUX RETURN-Schleife bei der Spurzusammenlegung mit aufgezeichnet werden. Falls Effekte nicht auf gezeichnet werden sollen, den AUX RETURN-Fader auf "0" absenken.

BEISPIEL: Aufzeichnung der Stimmen 1 bis 10 mit Pingpong-Aufnahme.

	Aufnahme von Stimme 1, 2 und 3.	Zusammenlegen von 1, 2 und 3 auf Spur 4 bei gleichzeitiger Synchronaufnahme von Stimme 4.	Aufnahme von Stimme 5 und 6.	Zusammenlegen von 5, 6 auf Spur 3 bei gleichzeitiger Synchronaufnahme von Stimme 7.	Aufnahme von Stimme 8.	Umlegen von 8 auf Spur 2 bei gleichzeitiger Synchronaufnahme von Stimme 9.	Aufnahme von Stimme 10-der letzten.
SPUR 1	1		5		8		10
SPUR 2	2		6			8 + 9	8 + 9
SPUR 3	3			5, 6 + 7	5, 6 + 7	5, 6 + 7	5, 6 + 7
SPUR 4		1, 2, 3 + 4	1, 2, 3 + 4	1, 2, 3 + 4	1, 2, 3 + 4	1, 2, 3 + 4	1, 2, 3 + 4

BEISPIEL FÜR EINE PINGPONG-AUFNAHME

Das folgende Beispiel zeigt, wie die Spuren 1, 2 und 3 auf Spur 4 zusammengelegt werden.

Zunächst die notwendigen Einstellungen:

•INPUT SELECT-Schalter

Die INPUT SELECT-Schalter der Kanäle 1 bis 3 auf TAPE und den von Kanal 4 auf OFF stellen.

•Kanalfader

Zuerst die Kanalfader 1 bis 3 auf ungefähr "7" einstellen und den Masterfader in Stellung "0" bringen.

•REC SELECT-Schalter

Die REC SELECT-Schalter 1 — 3 auf OFF und den REC SELECT-Schalter 4 auf "R" stellen.

•AUX SEND-Regler

Zunächst alle vier AUX SEND-Regler auf MIN stellen.

•GRAPHIC EQ-Schalter

Den Schalter zunächst ausrasten.

•PAN-Regler

Da der REC SELECT-Schalter 4 auf "R" gestellt ist, müssen die PAN-Regler 1 bis 3 ganz nach rechts gedreht werden, um die Signale der Spuren 1 bis 3 der Rekorderspur 4 zuzuweisen. Der PAN-Regler für Kanal 4 kann auf die Mittelposition gestellt werden.

•AUX RETURN-Regler

Zunächst auf MIN stellen.

•MONITOR SELECT-Schalter

Auf MIX stellen, damit nur die Signale vom Rekorderteil des MT100II zu hören sind.

Zuerst die Kanalfader 1 bis 3 auf ungefähr "7" einstellen und Kanalfader 4 in Stellung "0" bringen.

•MONITOR-Regler

Die MONITOR-Regler der Kanäle 1 bis 3 ganz nach links zurückdrehen und den MONITOR-Regler 4 ungefähr in die Mittelstellung bringen, um den besten Mithörpegel zu bekommen.

1. Das Band wiedergeben. Die Einstellung des MASTER-Faders nach und nach erhöhen bis die bespielten Spuren zu hören sind und die Spitzenpegel auf Kanal 4 bei ungefähr "0" liegen (werden über die Spitzenwertanzeige für Kanal 4 aufgeführt). Den MONITOR-Regler für Spur 4 auf einen angemessenen Hörpegel einstellen.
2. Die Kanalfader 1, 2 und 3 vorsichtig einstellen, bis die erwünschte Balance zwischen den ersten drei Spuren erreicht ist. Aufgrund dieser Einstellungen kann sich die Spitzenwertanzeige für Kanal 4 beträchtlich verändern, was durch Verstellen des MASTER-Faders kompensiert werden muß.
3. Zu diesem Zeitpunkt kann der grafische Equalizer zugeschaltet werden, um den Klang der kombinierten Spuren abzugleichen.
4. Über die AUX SEND-Regler der Kanäle kann der Mischung ein Effekt hinzugefügt werden. Der Pegel des Effektsignals wird den AUX RETURN-Fader festgelegt.
5. Nachdem alle Einstellungen korrekt vorgenommen wurden, das Band zum Aufnahmestartpunkt zurückspulen und auf Aufnahme schalten. Nach Beenden der Pingpong-Aufnahme den Rekorder stoppen. Nun das Band zurückspulen, dann wiedergeben und dabei die Pingpong-Aufnahme sorgfältig mithören. Falls die Mischung nicht die Anforderungen erfüllt, die Pingpong-Aufnahme wiederholen. Diese Spurmischaufnahme kann beliebig oft wiederholt werden, bis das erwünschte Ergebnis erzielt wird. Danach kann neues Material aufgezeichnet und das alte Material auf den ersten drei Spuren gelöscht werden.
6. Nun die nächsten Spuren bespielen und gegebenenfalls auf Spur 3 zusammenlegen.

[Hinweis] Es wird nur das linke oder rechte Effektsignal aufgezeichnet. Falls der REC SELECT-Schalter auf L gestellt ist, wird nur das Signal des Effektprozessors aufgezeichnet, das an der L AUX RETURN-Buchse eintrifft. In der Stellung R des REC SELECT-Schalters wird gleichermaßen nur das Effektsignal aufgezeichnet, das an der R AUX RETURN-Buchse eintrifft.

MASTERMISCHUNG (STEREO-ABMISCHUNG)

Die Mastermischung ist die letzte Stufe des Aufnahmeprozesses, bei der der mehrspurige Masterband in ein Mono- oder Stereo-Masterband abgemischt wird. Dazu wird das Material auf den Spuren des MT100II mit der Mischeinheit abgemischt und mit einer herkömmlichen Stereobandmaschine aufzeichnet. Dabei müssen die Spurpegel genauestens aufeinander abgestimmt werden, um den richtigen Klang und die erwünschte Mischung zu erzielen. Spuren können je nach Erfordernis ein- und ausgeblendet werden, während mit Hilfe von externen Klangprozessoren Halleffekte nachträglich eingefügt sowie Entzerrungen mit dem grafischen Equalizer durchgeführt werden können. Mit den PAN-Reglern des Mischmoduls kann die Position jeder Spur im Stereoklangbild bestimmt werden oder sogar eine Spur zwischen linkem und rechtem Kanal verschoben werden, um einen dramatischen Effekt zu erzielen.

Zunächst die notwendigen Einstellungen:

•INPUT SELECT-Schalter

INPUT SELECT-Schalter, die bespielten Spuren entsprechen, auf TAPE stellen.

•Kanalfader

Zuerst alle Kanalfader auf Stellung "0" absenken.

•REC SELECT-Schalter

Alle REC SELECT-Schalter auf OFF stellen.

•AUX SEND-Regler

Zunächst alle vier AUX SEND-Regler auf MIN stellen.

•GRAPHIC EQ-Schalter

Diesen zunächst ausrasten.

•PAN-Regler

Alle PAN-Regler vorerst in die Mittelstellung drehen.

•MASTER-Fader

Auf einen Wert zwischen "7" und "8" stellen.

•AUX RETURN-Regler

Vorerst auf MIN stellen.

•MONITOR SELECT-Schalter

Zur Überwachung der Stereo-Ausgangssignale auf STEREO stellen. Wir empfehlen jedoch zur Überwachung der Abmischung eine externe Stereoanlage oder Monitor-Lautsprecher mit integriertem Verstärker (wie das YAMAHA MS101 Monitor-Lautsprechersystem).

•MONITOR-Pegelregler

Alle MONITOR-Pegelregler bis zum Anschlag nach links drehen.

•METER-Schalter

STEREO

•dbx-Schalter

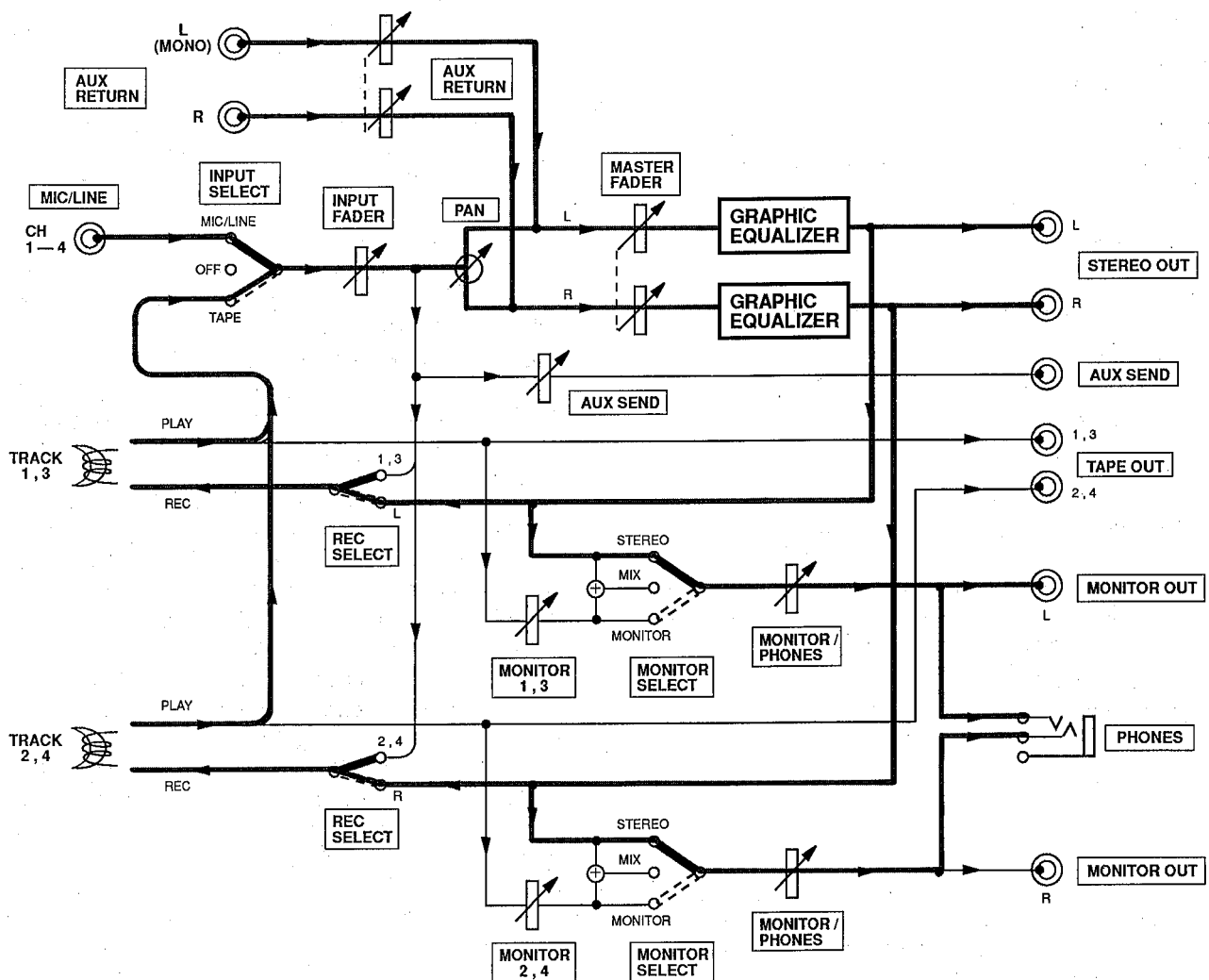
Falls die Aufnahmen mit dbx-Rauschunterdrückung angelegt wurden, den dbx-Schalter in der ON-Stellung belassen. Falls die Aufzeichnungen ohne dbx durchgeführt wurden, den Schalter auf OFF lassen.

1. Eine komfortable Hörposition vor den Monitor-Lautsprechern einnehmen.
2. Die einzelnen Spuren separat abhören und bewerten. Gegebenenfalls den Klang der Spuren einstellen. Dazu den Fader des Kanals verstellen, Effekte hinzufügen oder die Signale einen Prozessor durchlaufen lassen usw. Danach werden die anderen Spuren der Reihe nach überprüft und eingestellt. Der grafische Equalizer des MT100II kann nun zugeschaltet werden, um den Frequenzgang der Stereomischung abzustimmen. Falls ein externer Signalprozessor wie der YAMAHA Simultan-Effektprozessor FX500 an den AUX SEND/RETURN-Buchsen des MT100II angeschlossen ist (siehe VERWENDUNG DER AUX SEND/RETURN-SCHLEIFE im nächsten Kapitel), muß nur der erwünschte Effekt abgerufen werden und dann der Effektanteil auf jeder Spur mit den AUX SEND-Reglern justiert werden. Der AUX RETURN-Regler muß ebenso auf einen angemessenen Pegel eingestellt werden.
3. Nachdem alle Spuren einzeln überprüft worden sind, alle Kanalfader auf 7 oder 8 einstellen und das Band wiedergeben. Die Fader nun auf eine optimale Balance zwischen den Kanälen einstellen und die Instrumente und Stimmen mit Hilfe der PAN-Regler im Klangbild positionieren. Bei Einschleifen von Effektgeräten auch den Effektklang beachten und gegebenenfalls mit AUX SEND und AUX RETURN-Reglern korrigieren. Ebenso auf exakte Balance achten. Es ist ausschlaggebend für eine erfolgreiche Mastermischung, daß alle Einstellungen korrekt sind. Daher sollten insbesondere vorgesehene Überblendungen und Pan-Effekte vor der endgültigen Stereoaufnahme geprobt werden, um Fehler und Zeitverlust zu vermeiden.
4. Nachdem sichergestellt wurde, daß alles bereit ist, kann die eigentliche Aufnahme der Mastermischung vorbereitet werden. Dazu die STEREO OUT-Buchsen des MT100II an den Eingängen eines Stereo-Kassettendecks anschließen. Die Aufnahmepegel über die entsprechenden Regler des Stereo-Kassettendecks und gegebenenfalls auch über den MASTER-Fader des MT100II aussteuern. Dann die Aufnahme durchführen. Mit dem MASTER-Fader kann am Ende der Aufnahme eine langsame Ausblendung durchgeführt werden.

VERWENDUNG DES GRAPHISCHEN EQUALIZERS

Das MT100II verfügt über einen graphischen 5-Band Equalizer. Wie das unten aufgeführte Blockdiagramm zeigt, durchlaufen die mit den PAN-Reglern zugewiesenen Signale (deren Pegel vom MASTER-Fader festgelegt wird) die Equalizer-Schaltkreise. Deshalb kann der graphische Equalizer bei der Pingpong-Aufnahme, bei der Stereoabmischung sowie bei der Aufnahme mit REC SELECT-Schalterstellung zugeschaltet werden. In den REC SELECT-Schalterstellungen 1 bis 4 hat der Equalizer keinen Effekt, weil die Signale in diesem Fall direkt zur entsprechenden Spur gesendet werden.

Der graphische Equalizer wirkt nur auf die Signalwege, die durch fette Linien gekennzeichnet sind.

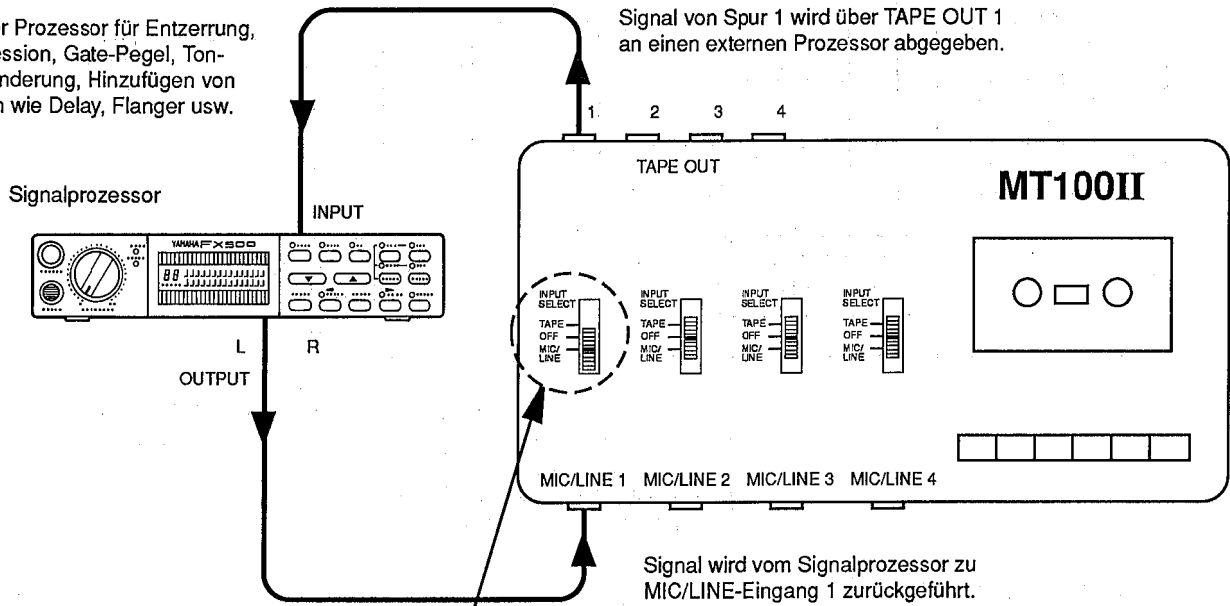


VERWENDUNG DER TAPE OUT-BUCHSEN

Über die TAPE OUT-Buchsen können die Ausgangssignale der Recordereinheit einem externen Mischpult zugeführt werden. Bei der Abmischung können individuelle Spuren mit einem Signalprozessor aufbereitet werden, der die Signale des MT100II über die TAPE OUT-Buchsen empfängt und die Effektsignale an eine INPUT-Buchse zurückgibt.

Externer Spurbearbeitung beim Mischen mit Hilfe der TAPE OUT-Buchsen

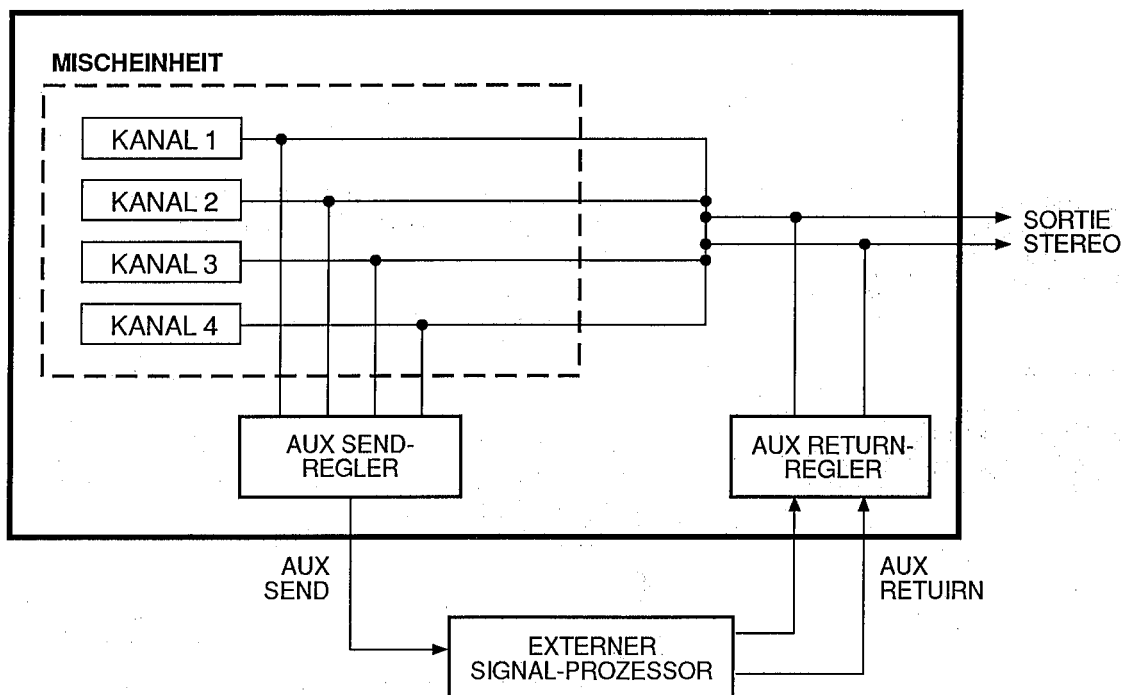
Externer Prozessor für Entzerrung, Kompression, Gate-Pegel, Tonhöhenänderung, Hinzufügen von Effekten wie Delay, Flanger usw.



INPUT SELECT -Schalter von Kanal 1 auf MIC/LINE eingestellt.

VERWENDUNG DER AUX SEND/RETURN-SCHLEIFE

Die AUX SEND-Regler des MT100II wirken wie ein Sekundärmischmodul, das die Eingangssignale von den vier Kanälen des Mixers empfängt und in ein Mono-Signal verwandelt, das an die AUX SEND-Buchse gelegt wird (siehe Diagramm unten). Mit den AUX SEND-Reglern kann eine Effektmischung erzielt werden, die von der Hauptmischung vollkommen unabhängig ist. Dadurch kann ein Effekt auf jedem Kanal mit unterschiedlichem Grad wirken. Das AUX SEND-Signal wird dann zum Eingang eines externen Signalprozessors (Reverb, Echo oder andere Effektgeräte) geschickt und dann von den Ausgängen des Prozessors über die AUX IN-Buchsen zum MT100II zurückgesendet. Der Pegel des an den AUX IN-Buchsen eintreffenden Signals kann mit dem AUX RETURN-Regler justiert werden. Das resultierende Signal wird dann mit den Stereo-Mastersignalen des MT100II zusammengelegt. Da das zurückgegebene Effektsignal mit dem Stereo-Ausgangssignal der Mischeinheit kombiniert wird, eignet sich die AUX SEND/RETURN-Schleife bei der endgültigen Abmischung besonders zum Hinzufügen von Effekten in einzelnen Spuren. In diesem Fall müssen die Spuren über die PAN-Regler zugewiesen werden (siehe Seite 63).



[Hinweis] Da die AUX SEND/RETURN-Schleife das Effektsignal an die Stereo-Ausgänge der Mischeinheit zurückführt, können den einzelnen Kanälen auch bei Pinpong-Aufnahmen Effekte hinzugefügt werden, falls die Kanaluweisung über die PAN-Regler erfolgt. Die AUX SEND/RETURN-Schleife kann jedoch nicht zum Einblenden von Effekten verwendet werden, falls die Aufnahmespuren mit der direkten Kanal/Spurzuweisung den Kanälen zuordnet worden sind.

PUNCH-IN/OUT-AUFNAHME (EINFÜGAUFNAHME)

Mit Hilfe der Punch-in/out-Aufnahme kann ein kurzes Segment einer ansonsten perfekten Spur erneut aufgenommen werden, um Fehler zu korrigieren oder Verbesserungen vorzunehmen. Die Aufnahme wird am Beginn des betreffenden Segments ausgelöst und am Ende des neuen Segments gestoppt, wodurch das übrige Material nicht gelöscht wird.

Auslösen und Stoppen der Punch-in/out-Aufnahme mit den REC SELECT-Schaltern

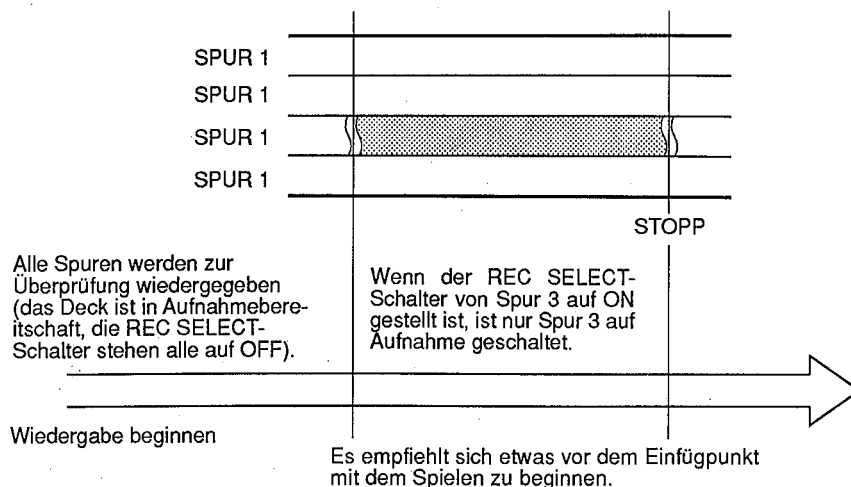
1. Zunächst alle 4 REC SELECT-Schalter auf OFF stellen und dann das Deck ein paar Takte vor dem aufzunehmenden Segment durch Drücken der REC- und PLAY-Taste auf Aufnahmebereitschaft schalten. Damit blinkt die REC-Anzeige, um darauf hinzuweisen, daß der Bandtransport in Aufnahmebereitschaft läuft. Der PHONES SELECT-Schalter sollte auf MONITOR gestellt werden, damit alle Spuren abgehört werden können.
2. An einem günstigen Punkt auf der Spur, die zu korrigieren ist, deren REC Schalter in die entsprechende Aufnahmeposition bringen und das neue Material spielen, das aufgenommen werden soll. Sobald der REC SELECT-Schalter in eine Aufnahmestellung gebracht worden ist, leuchtet die REC-Anzeige stetig.
3. Am Ende des neu bespielten Segments den REC SELECT-Schalter auf OFF stellen, um diese Spur auf Wiedergabe zu schalten. Dadurch blinkt die rote REC-Anzeige wieder.

Auslösen/Stoppen der Punch-in/out-Aufnahme per Fußschalter

1. Einen YAMAHA FS-1 Fußschalter (getrennt erhältlich) an der PUNCH I/O-Buchse des MT100II anschließen.
2. Den REC SELECT-Schalter der Spur, in die die Neuaufnahme eingefügt werden soll, auf die entsprechende Aufnahmeposition stellen und dann die REC-Taste drücken, um auf Aufnahmepause zu schalten. Die rote REC-Anzeige sollte zu diesem Zeitpunkt zu blinken beginnen. Falls sie stetig leuchtet, den Fußschalter einmal drücken, damit sie blinkt.

ACHTUNG: BEI VERWENDUNG EINES FUSSSCHALTERS SICHERSTELLEN, DASS DIE ROTE REC LED-ANZEIGE BLINKT, WENN DER BANDTRANSPORT AUSGELÖST WIRD. DADURCH WIRD VERHINDERT DASS MATERIAL VERSEHENTLICH ÜBERSCHRIEBEN WIRD. KEINESFALLS REC UND PLAY DRÜCKEN.

3. Die PLAY-Taste drücken, damit der Bandtransport in Aufnahmebereitschaft zu laufen beginnt.
4. Am Startpunkt für die Punch-in-Aufnahme den Fußschalter drücken. Die rote REC-Anzeige leuchtet damit stetig.
5. Am Ende der Aufnahme den Fußschalter ein zweites Mal drücken. Damit beginnt die rote REC-Anzeige wieder zu blinken.

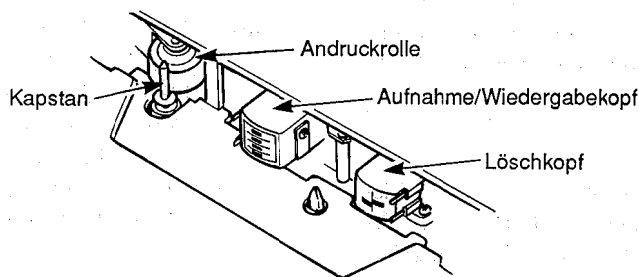


WARTUNG

Die Wiedergabe-Aufnahmekopfanordnung des MT100II besteht aus Teilen, die auf kleinste Toleranzen gefertigt sind, um hochwertige 4-Spuraufnahmen zu ermöglichen. Eine optimale Leistung läßt sich daher nur erzielen, wenn die Kopfoberflächen äußerst saubergehalten werden. Die Reinigung sollte in regelmäßigen Abständen ausgeführt werden, zumindest alle 10 Betriebsstunden. Verschmutzte Tonköpfe führen zu einem oder mehrerer der nachfolgend aufgeführten Probleme:

- Aufnahme, Wiedergabe und Löschung nicht möglich.
- Verminderte Wiedergabepegel.
- Pegelschwankungen und/oder Klangverzerrungen.
- Übermäßiges Rauschen
- Pegelabfall im Höhenbereich.

Falls eines der oben genannten Symptome auftritt, zunächst die Köpfe sorgfältig reinigen, bevor auf eine Störung am Deck untersucht wird. Zur Reinigung einen im Handel erhältlichen Reinigungssatz (dessen Anleitung sorgfältig beachten) oder Wattestäbchen mit Reinigungsalkohol verwenden. Gleichzeitig mit den Köpfen die Andruckrolle säubern.



* Die schraffierten Bereiche reinigen.

TECHNISCHE DATEN

BANDTRANSPORT

Bandsorte	<i>Chromband (70 μs EQ)</i>
Tonköpfe	<i>Permalloy Vierkanal-Aufnahme/Wiedergabekopf, Vierkanal-Ferritlöschkopf</i>
Bandgeschwindigkeit	<i>4,8 cm/Sek., 9,5 cm/Sek.</i>
Tonhöhenreglung	<i>$\pm 10\%$</i>
Gleichlaufschwankungen	<i>Unter 0,15% WRMS</i>
Umspulzeit	<i>Ca. 100 Sek. bei C-60 Bändern</i>
Motor	<i>DC-Servomotoren x 2</i>

ANSCHLÜSSE

Input 1 bis 4	Eingangsimpedanz	<i>10 kOhm</i>
	Nenneingangspegel	<i>-10 dB bis -50 dB (Fader nominal)</i>
	Max. Eingangspegel	<i>+10 dB (Verstärkungsregler auf MIN.)</i>
	Min. Eingangspegel	<i>-56 dB (Verstärkungsregler, Fader MAX.)</i>
AUX RETURN L&R	Eingangsimpedanz	<i>10 kOhm</i>
	Nenneingangspegel	<i>-10 dB (Fader nominal)</i>
	Min. Eingangspegel	<i>-16 dB (Fader MAX.)</i>
STEREO OUT L & R	Ausgangsimpedanz	<i>1 kOhm</i>
	Lastimpedanz	<i>Über 10 kOhm</i>
	Nennausgangspegel	<i>-10 dB an 50 kOhm</i>
	Lastimpedanz	<i>8 bis 40 Ohm</i>
PHONES	Max. Ausgangsleistung	<i>45 mW + 45 mW/40 Ohm</i>
	Ausgangsimpedanz	<i>1 kOhm</i>
TAPE OUT 1 bis 4	Lastimpedanz	<i>Über 10 kOhm</i>
	Nennausgangspegel	<i>-10 dB an 50 kOhm</i>
	Ausgangsimpedanz	<i>1 kOhm</i>
	Lastimpedanz	<i>Über 10 kOhm</i>
AUX SEND	Nennausgangspegel	<i>-10 dB an 50 kOhm</i>
	Ausgangsimpedanz	<i>1 kOhm</i>
	Lastimpedanz	<i>Über 10 kOhm</i>
	Nennausgangspegel	<i>-10 dB an 50 kOhm</i>
MONITOR OUT	Ausgangsimpedanz	<i>1 kOhm</i>
	Lastimpedanz	<i>Über 10 kOhm</i>
	Nennausgangspegel	<i>-10 dB an 50 kOhm</i>
	Ausgangsimpedanz	<i>1 kOhm</i>

ELEKTRISCHE DATEN

Frequenzgang (NR OUT)	<i>50 Hz bis 18 kHz, +3 dB/-6 dB bei 9,5 cm/Sek. 50 Hz bis 12,5 kHz, +3 dB/-6 dB bei 4,8 cm/Sek.</i>
Rauschabstand	<i>85 dbx ON, 1 HF-A</i>
Verzerrung	<i>1,5%, 315 Hz, dbx on, -10 dB Rec, Level</i>
Kanaltrennung	<i>Mehr als 55 dB bei 1 kHz, dbx on</i>
Löschfaktor	<i>Über 70 dB bei 1 kHz, dbx on</i>
Rauschunterdrückung	<i>dbx*</i>
Graphic Equalizer	<i>100, 400, 1k, 5k, 10kHz (± 10 dB), Q = 0,7</i>

ALLGEMEINES

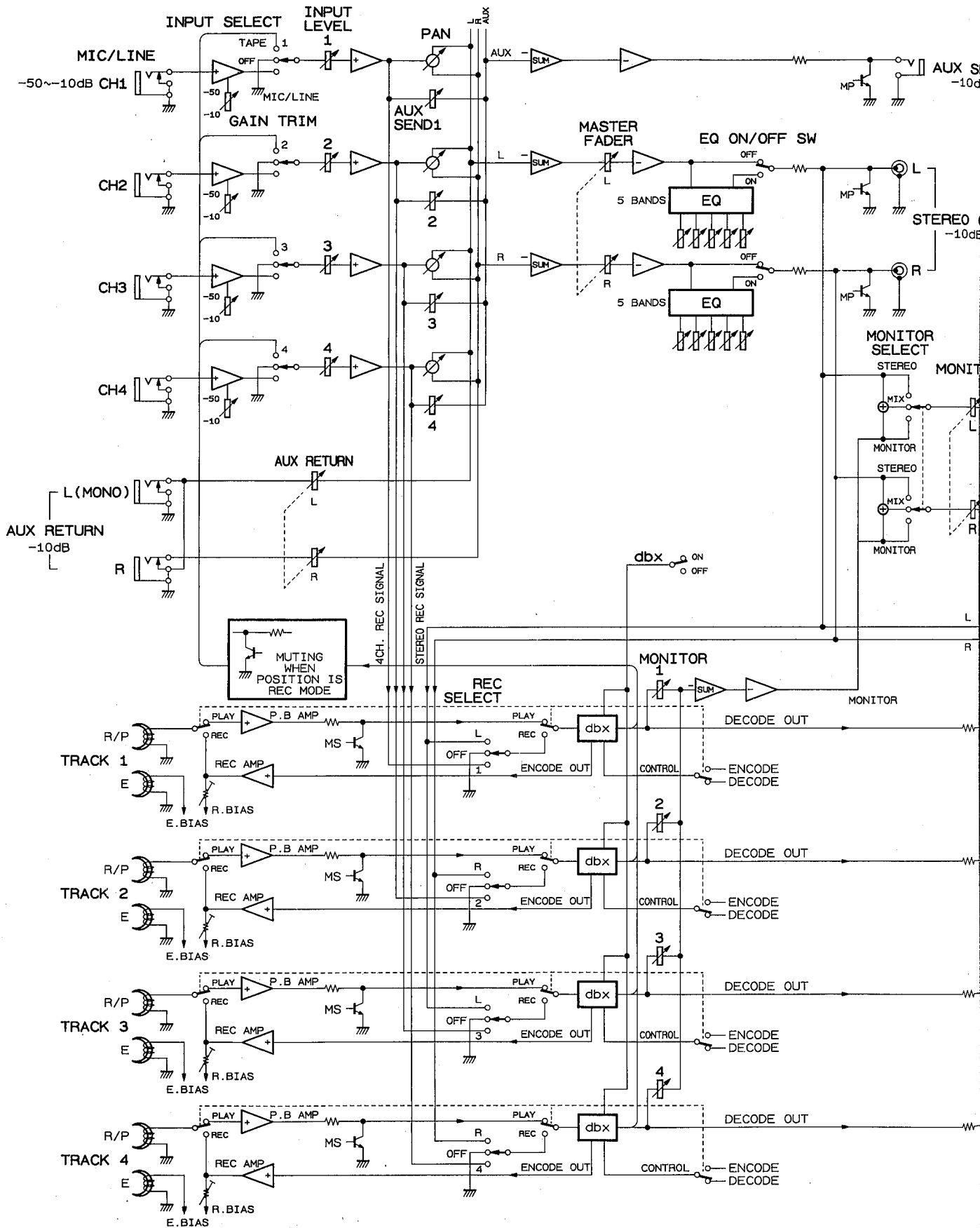
Stromversorgung	<i>US & Kanada-Modell: 120 V Wechselspannung, 60 Hz</i>
(Netzadapter PA100)	<i>Allgemeines Modell: 220/240 V Wechselspannung, 50/60 Hz</i>
Abmessungen(BxHxT)	<i>400 x 76 x 212 mm</i>
Gewicht	<i>2,0 kg</i>

* dbx ist das Markenzeichen von dbx Incorporated.

0 dB = 0,775 Vr.m.s.

Änderungen an technischen Daten und Design ohne Vorankündigung bleiben vorbehalten.

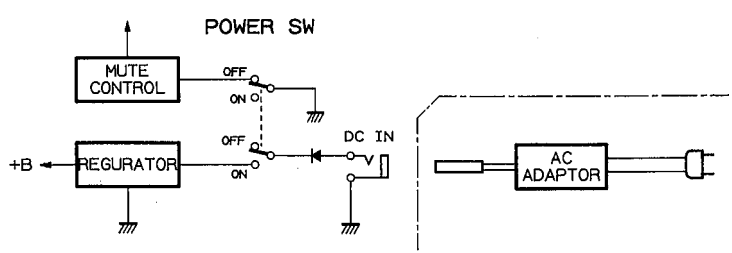
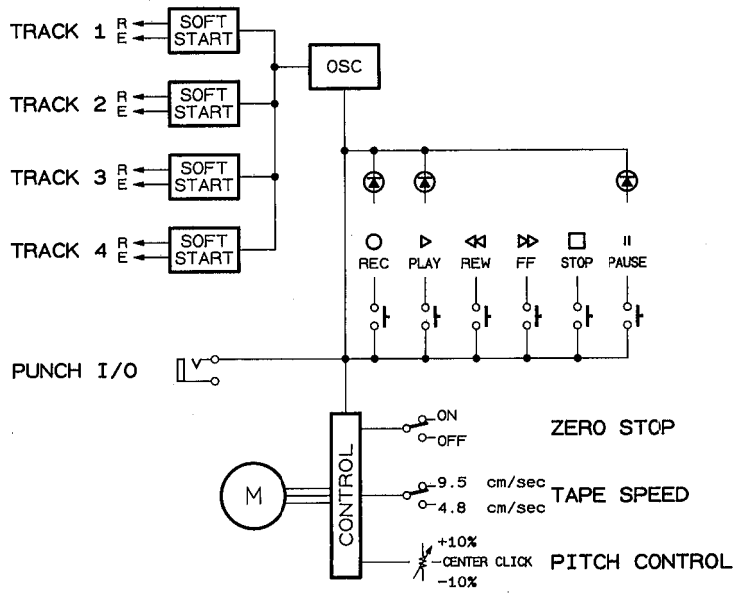
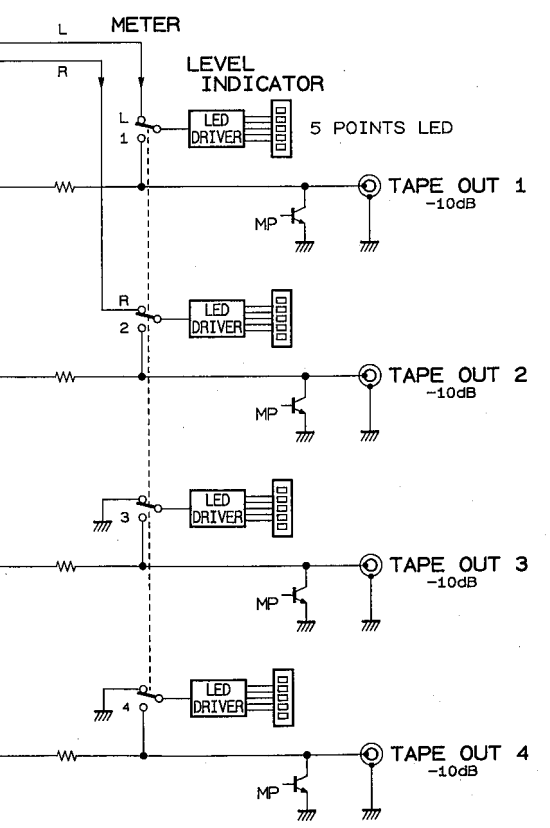
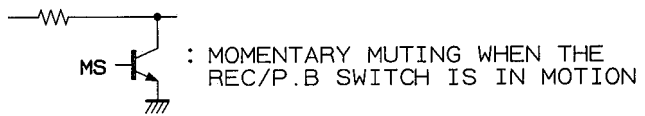
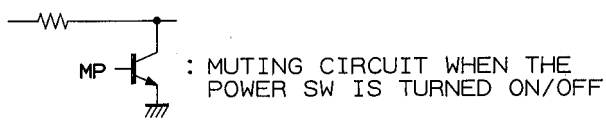
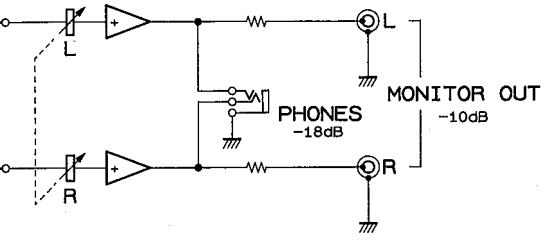
BLOCK DIAGRAM / SCHEMA DE PRINCIPE / BLOCKDIAGRAMM



AUX SEND
-10dB

STEREO OUT
-10dB

MONITOR/PHONES
LEVEL



SERVICE

This product is supported by YAMAHA's worldwide network of factory trained and qualified dealer service personnel. In the event of a problem, contact your nearest YAMAHA dealer.

ENTRETIEN

L'entretien de cet appareil est assuré par le réseau mondial YAMAHA de personnel d'entretien qualifié et formé en usine des concessionnaires. En cas de problème, prendre contact avec le concessionnaire YAMAHA le plus proche.

KUNDENDIENST

Für dieses Gerät steht das weltweite YAMAHA Kundendienstnetz mit qualifiziertem, werksgeschultem Personal zur Verfügung. Bei Störungen und Problemen wenden Sie sich bitte an Ihren YAMAHA-Händler.

YAMAHA

YAMAHA CORPORATION
P.O.Box 1, Hamamatsu, Japan
9001  Printed in Japan