

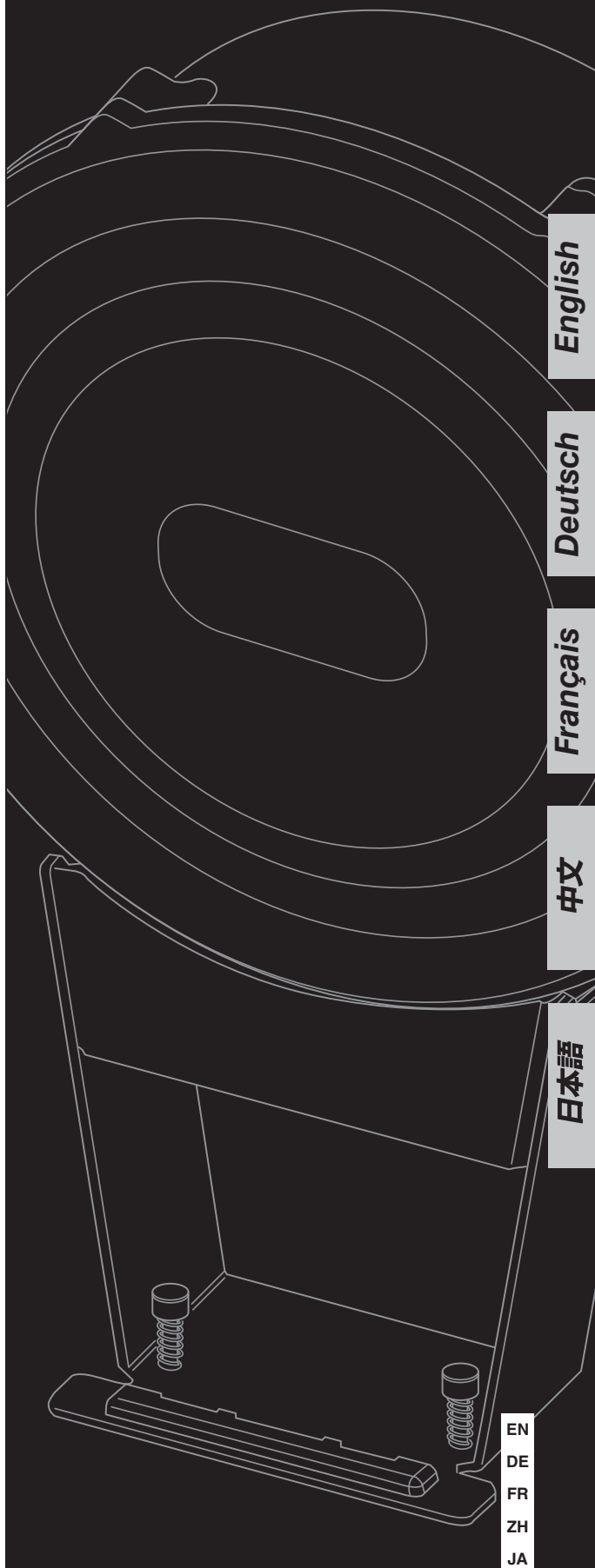


**DTX**  
drums

ELECTRONIC DRUM PAD

**KP125W**

**Owner's Manual**  
**Bedienungsanleitung**  
**Mode d'emploi**  
**使用说明书**  
**取扱説明書**



English

Deutsch

Français

中文



日本語

EN  
DE  
FR  
ZH  
JA

**PRECAUTIONS** Please read carefully before Proceeding.

The purpose of the precautions detailed below is to ensure that this product is used safely without fear either of accidental injury to you or other people or of damage to property. As a means, furthermore, of indicating the severity and immediacy of any risk of injury or damage associated with incorrect operation, these precautions are classified as either WARNING or CAUTION. The instructions presented together with precautions are extremely important in terms of ensuring safety, and therefore, they should be fully observed.

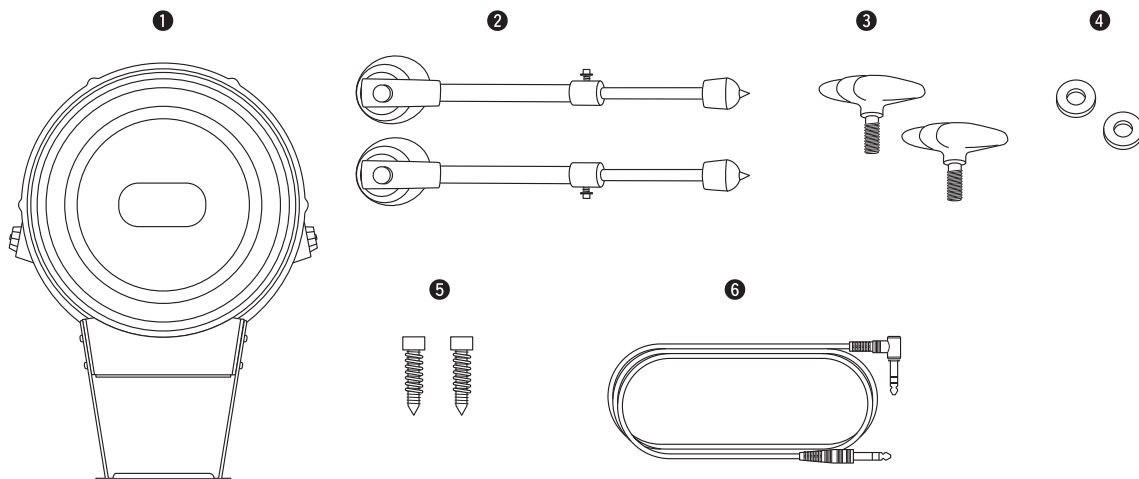
\*: After reading this Owner's Manual, ensure that it is kept in a safe, convenient location for future reference.

 <p><b>WARNING</b></p>	<p><b>Always follow the basic precautions listed below to avoid the possibility of serious injury or even death from electrical shock, short-circuiting, damages, fire or other hazards. These precautions include, but are not limited to, the following:</b></p>
<ul style="list-style-type: none"> <li>• When assembling this product (i.e., when connecting the base or a foot pedal to the body), take care to avoid squeezing, crushing, or otherwise injuring fingers, feet, and other body parts.</li> </ul>	
<ul style="list-style-type: none"> <li>• The tips of the anti-slip stoppers on this product's base and legs have sharp points. In order to avoid injury, therefore, special care should be taken whenever handling these items.</li> </ul>	
<ul style="list-style-type: none"> <li>• Do not setup this product on an incline, on an unstable platform, or on any other unsafe surface. If this precaution is not observed, the product may topple over or fall, resulting in injury or equipment damage.</li> </ul>	
<ul style="list-style-type: none"> <li>• Be sure to securely tighten fixing bolts and other fasteners whenever setting up this product. In addition, any bolts that have come loose should be immediately tightened. If these precautions are not observed, the product may fall or topple over, resulting in injury or equipment damage.</li> </ul>	
<ul style="list-style-type: none"> <li>• Whenever setting up this product, ensure that cables and the like are arranged safely. If anyone were to trip on a cable, the product could topple over and cause injury.</li> </ul>	
<ul style="list-style-type: none"> <li>• Under no circumstances should this product be disassembled or customized. Failure to observe this precaution can result in injury or malfunction.</li> </ul>	
 <p><b>CAUTION</b></p>	<p><b>Always follow the basic precautions listed below to avoid the possibility of physical injury to you or others, or damage to the instrument or other property. These precautions include, but are not limited to, the following:</b></p>
<ul style="list-style-type: none"> <li>• Do not climb onto this product and avoid placing heavy objects on it. Failure to observe these precautions can result in malfunction.</li> </ul>	
<ul style="list-style-type: none"> <li>• Avoid using or storing this product in very hot locations (i.e., in direct sunlight, in close proximity to a heater, or in a closed vehicle) or in highly-humid locations (i.e., in a bathroom or outdoors in wet weather). Failure to observe this precaution can lead to warping, discoloration, malfunction, or breakdown.</li> </ul>	
<ul style="list-style-type: none"> <li>• Avoid cleaning this product with organic solvents, paint thinner, or alcohol as these substances can cause warping and discoloration. Instead, we recommend that you remove dust using a soft dry cloth or wipe clean using a moist, tightly-wrung cloth. If the product is very dirty, wipe the dirt away using a cloth moistened with a neutral detergent solution and tightly wrung. Following this, wipe away the detergent solution using a cloth soaked in water and tightly wrung.</li> </ul>	
<ul style="list-style-type: none"> <li>• When connecting and disconnecting cables, be sure to hold the plug and not the cable itself. In addition, avoid placing heavy items on top of cables, and do not allow them to come into contact with sharp edges and the like. Failure to avoid these precautions can to cable breakage and unintended disconnection.</li> </ul>	

## Package Contents

\*: If you have purchased a pad set, please refer to the Assembly Instructions booklet that came with it.

- KP125W: ① KP125W pad x 1, ② Legs x 2, ③ Wing bolts x 2, ④ Washers x 2, ⑤ Anti-slip stoppers (incl. springs) x 2, ⑥ Stereo phone cable x 1, ⑦ Owner's Manual (this booklet) x 1



## Specifications

### ■ KP125W Kick Pad

- Size (assembled): 480 (w) x 220 (d) x 510 (h) mm
- Weight: 6.2 kg
- Sensing method: Piezoelectric trigger-sensor element x 1
- Output connector: Standard stereo phone jack
- Input connector: Standard mono phone jack

\*: Specifications and descriptions in this Owner's Manual are for information purposes only. Yamaha Corp. reserves the right to change or modify products or specifications at any time without prior notice. As specifications, hardware, and optional extras may not be the same in every region, please check with your Yamaha dealer.

EN



### Information for Users on Collection and Disposal of Old Equipment

This symbol on the products, packaging, and/or accompanying documents means that used electrical and electronic products should not be mixed with general household waste.

For proper treatment, recovery and recycling of old products, please take them to applicable collection points, in accordance with your national legislation and the Directives 2002/96/EC.

By disposing of these products correctly, you will help to save valuable resources and prevent any potential negative effects on human health and the environment which could otherwise arise from inappropriate waste handling.

For more information about collection and recycling of old products, please contact your local municipality, your waste disposal service or the point of sale where you purchased the items.

#### [For business users in the European Union]

If you wish to discard electrical and electronic equipment, please contact your dealer or supplier for further information.

#### [Information on Disposal in other Countries outside the European Union]

This symbol is only valid in the European Union. If you wish to discard these items, please contact your local authorities or dealer and ask for the correct method of disposal.

## Assembling the KP125W

1. Align the mark on each leg ① with the mark on the leg base ② as shown in the figure below. Place a washer ④ on each wing bolt ③, and firmly tighten the wing bolts to secure the legs to the pad unit.

**NOTE** When playing the KP125W, lower the anti-slip stoppers ⑤, ⑥ so that they can grip the platform or floor. If, however, the floor surface must not be marked or scratched, remove anti-slip stoppers ⑤ and retract the pointed tips of anti-slip stoppers ⑥ by turning the rubber legs housing them. When anti-slip stoppers are rendered ineffective in this way, the pad unit will be more likely to move during performances. We recommend, therefore, that a mat or the like be used instead to protect the floor.

### CAUTION

- The pointed tips of the anti-slip stoppers are sharp. Special care should, therefore, be taken when turning the rubber legs.

2. Connect your foot pedal to the KP125W.

### CAUTION

- Be sure to support the KP125W unit by hand when connecting or disconnecting a foot pedal in order to prevent it from toppling over.

3. Adjust the length of the legs.

Loosen each of the bolts ⑦ using a drum key, and with the foot pedal connected, set the length of the legs such that the striking surface of the KP125W is vertical. When this step has been completed, securely tighten the bolts ⑦.

**NOTE** After adjusting the length of the legs, press down the foot pedal and check for contact between the pedal unit and the KP125W unit as the pad is hit. If contact is made, readjust the length of the legs and securely tighten the bolts ⑦.

4. Adjust the position of the foot pedal and the length of the foot pedal's beater ⑧ such that the beater makes contact with the center of the pad ⑨.

**NOTE** Double foot pedals (such as those of the Yamaha DFP Series) can be used with the KP125W. If using such a pedal, adjust the position of the foot pedals and the lengths of the two beaters ⑧ such that the central point between the beaters roughly coincides with the center of the pad ⑨ as shown in Figure A.

### CAUTION

- Storage Precautions

If storing the KP125W with no foot pedal connected, be sure to disconnect the cable going to the tone generator module and lay the pad unit flat with the striking surface facing upwards. If these precautions are not observed, the KP125W unit could topple over and damage the cable.

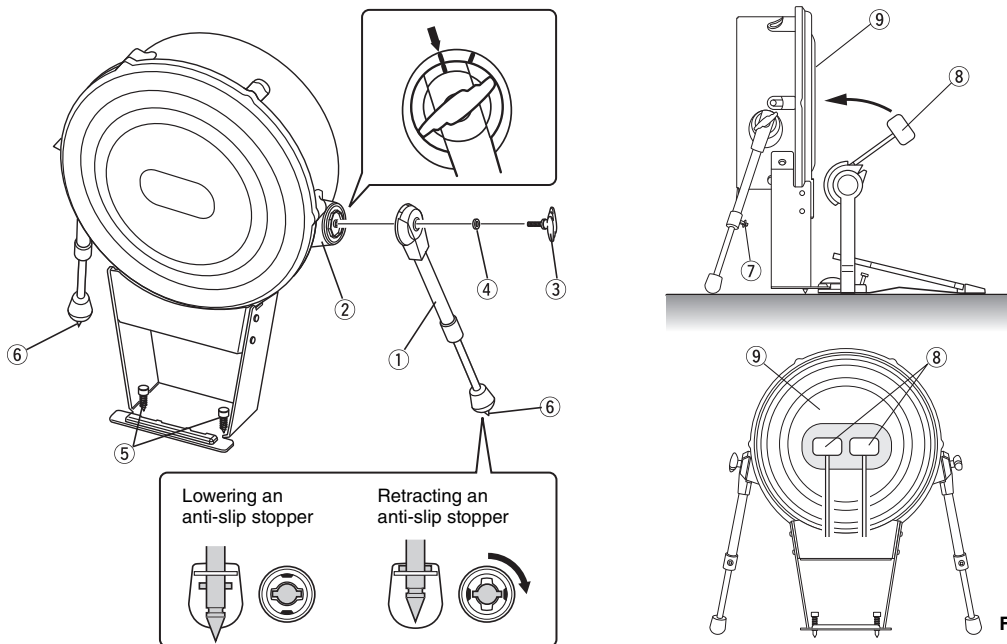
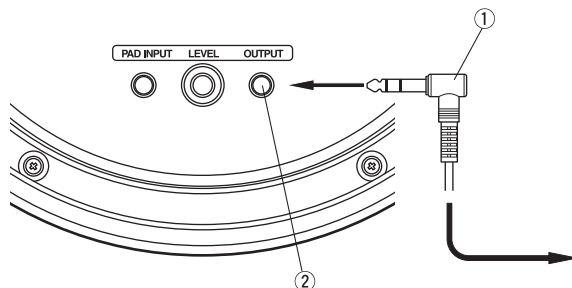


Figure A

## Making Connections

Using a stereo phone cable ① (included), connect the KP125W's OUTPUT jack ② to an appropriate input jack on a DTX Series tone generator module. Be sure to connect the L-shaped end of the cable to the KP125W.

- NOTE**
- On the tone generator module, set the corresponding pad type as a kick pad. Setting of any other pad type may have unintended consequences such as double triggering (where a single strike produces two distinct sounds). For more details, refer to the Owner's Manual that came with the tone generator module.
  - If using the KP125W as a standalone pad with no optional pad connected to it, a mono phone cable can also be used to make this connection to the tone generator module.



### ● Connecting an Optional Pad

The PAD INPUT jack ③ provided on the KP125W can be used to add an additional mono pad (sold separately). To do so, connect the trigger output connector on the optional mono pad to the PAD INPUT jack using a mono or stereo phone cable.

- NOTE**
- When connecting a tone generator and a KP125W having an optional pad connected via its PAD INPUT jack ③, the most suitable trigger input jack will depend on the type of module being used. Specifically, the KP125W should be connected to the trigger input jack shown below.

DTX900 and DTXTREME III: 10/11

DTX-MULTI 12: 14/15 or 16/17

DTXPRESS IV: 8/9, 2/10, 3/11, or 4/12

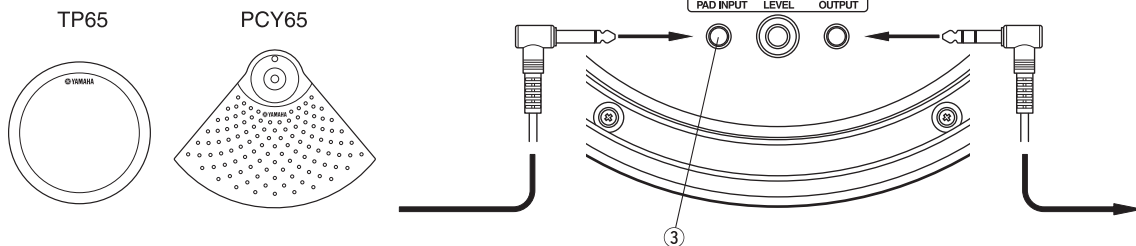
DTXPLOERER: 8/9

DTXTREME and DXTREME IIs: 9/10 to 15/16

DTXPRESS and DXPRESS II/III: 9/10

DTX Version 2.0: 9/10 or 11/12

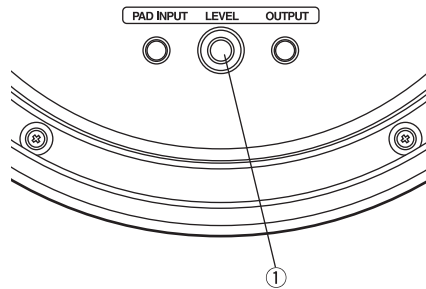
- If a pad featuring a rim switch (PCY65, etc.) is connected to the PAD INPUT jack, no sound will be produced by the rim section, regardless of whether or not a voice is assigned to it. In addition, special functions using the rim switch (such as choking and muting) will not supported in such a case.



## Adjusting the Output Level

The level of the trigger signals output from the KP125W can be raised by turning the level adjuster ① clockwise and vice-versa. Be sure to adjust this level to best suit the strength with which you strike the pad, your desired dynamic range (i.e., the difference between loudest and quietest volumes), and the type of DTX Series tone generator module being used.

**NOTE** If playing fortissimo (ff) passages with the KP125W connected to a DTX Series tone generator module, the gain level on the module's trigger setup screen should be adjusted to between 90% and 95% of the displayed input level. For more details, refer to the Owner's Manual that came with the tone generator module. Excessively large output levels can have unintended consequences such as a reduced dynamic range and double triggering (where a single strike produces two distinct sounds).



## Troubleshooting

### No sound is produced or the volume is too low.

- Ensure that the KP125W is correctly connected to a DTX Series tone generator module using the stereo phone cable provided. (See Making Connections.)
- Check the pad's output level. If this level is too low, use the level adjuster to increase it. (See Adjusting the Output Level.)

### Two or more sounds are produced in response to a single strike (i.e., double-triggering).

- Check the pad's output level. If this level is too high, use the level adjuster to reduce it. Note that triggering of two or more sounds occurs when the output level is excessively high due to the fact that the signal being input into the tone generator module remains large for a relatively long period of time. (See Adjusting the Output Level.)
- Check the vertical position of the KP125W unit. If it has moved out of place, readjust the lengths of the legs to compensate.

For more troubleshooting tips, refer to the Owner's Manual that came with the DTX Series tone generator module. If you still cannot find the information you need to resolve a problem, please contact your Yamaha dealer or the customer support center indicated at the end of this manual for assistance.



Yamaha Electronic Drums web site:  
<http://dtxdrums.yamaha.com>

Yamaha Manual Library  
<http://www.yamaha.co.jp/manual/>

U.R.G., Digital Musical Instruments Division  
© 2009-2010 Yamaha Corporation

WR91130 011PO\*\*\*.\*-01B0  
Printed in Indonesia